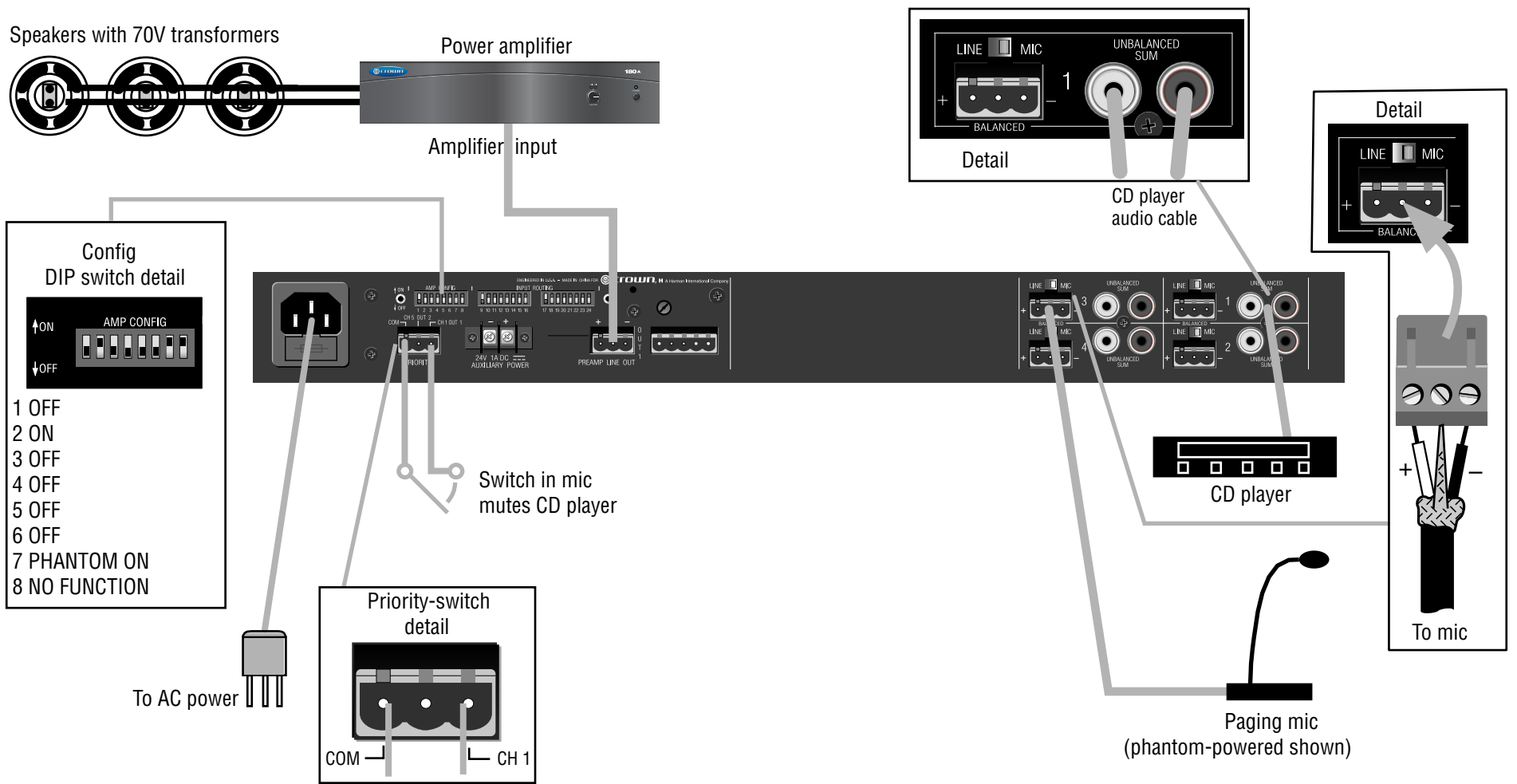


CROWN® COMMERCIAL AUDIO SERIES MIXER

QUICK-START GUIDE

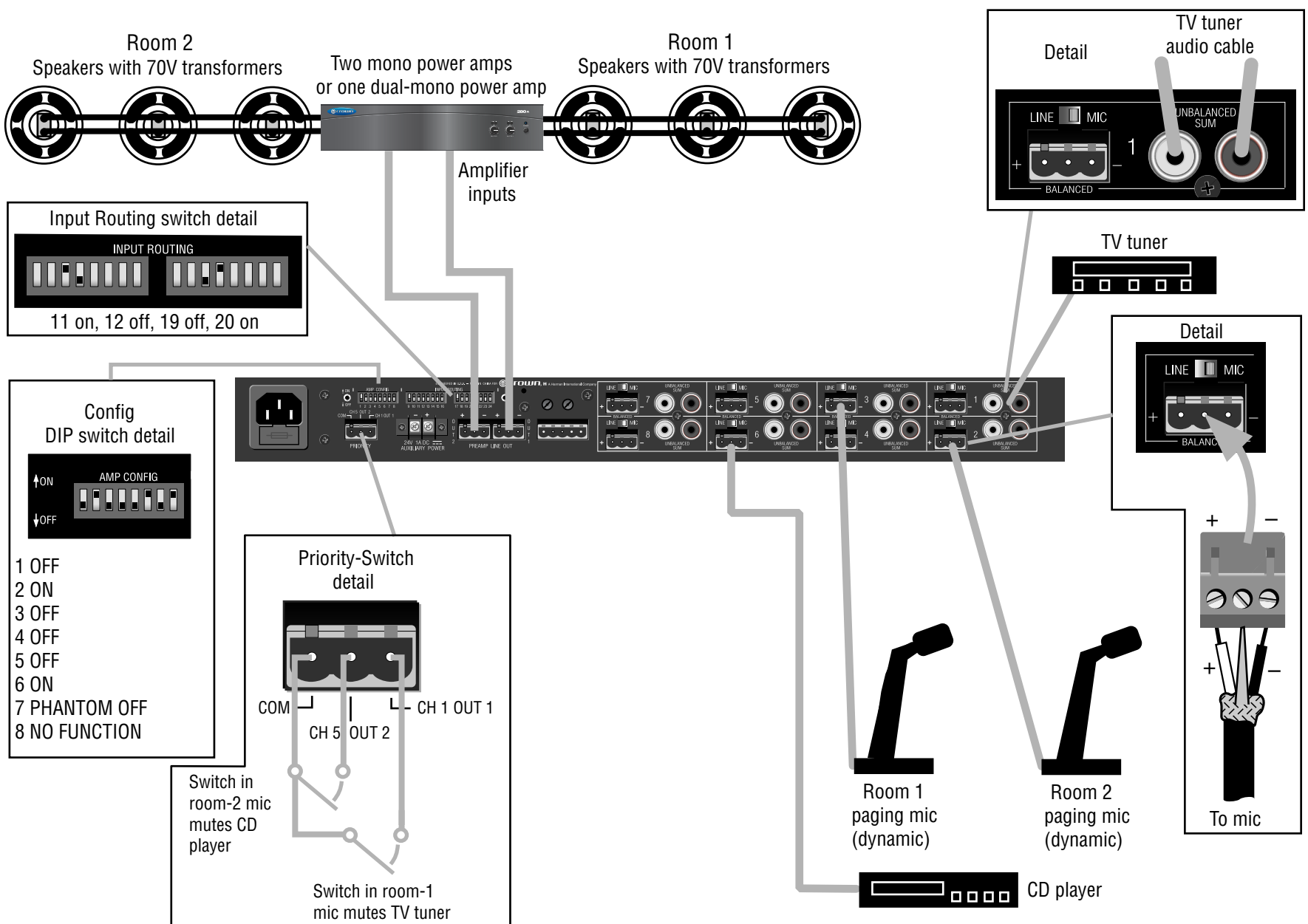
ONE ROOM WITH A PAGING MICROPHONE using 14M

Paging mic mutes CD player.



TWO ROOMS WITH INDEPENDENT PAGING using 28M

Mic 1 mutes room-1 TV tuner. Mic 2 mutes room-2 CD player.



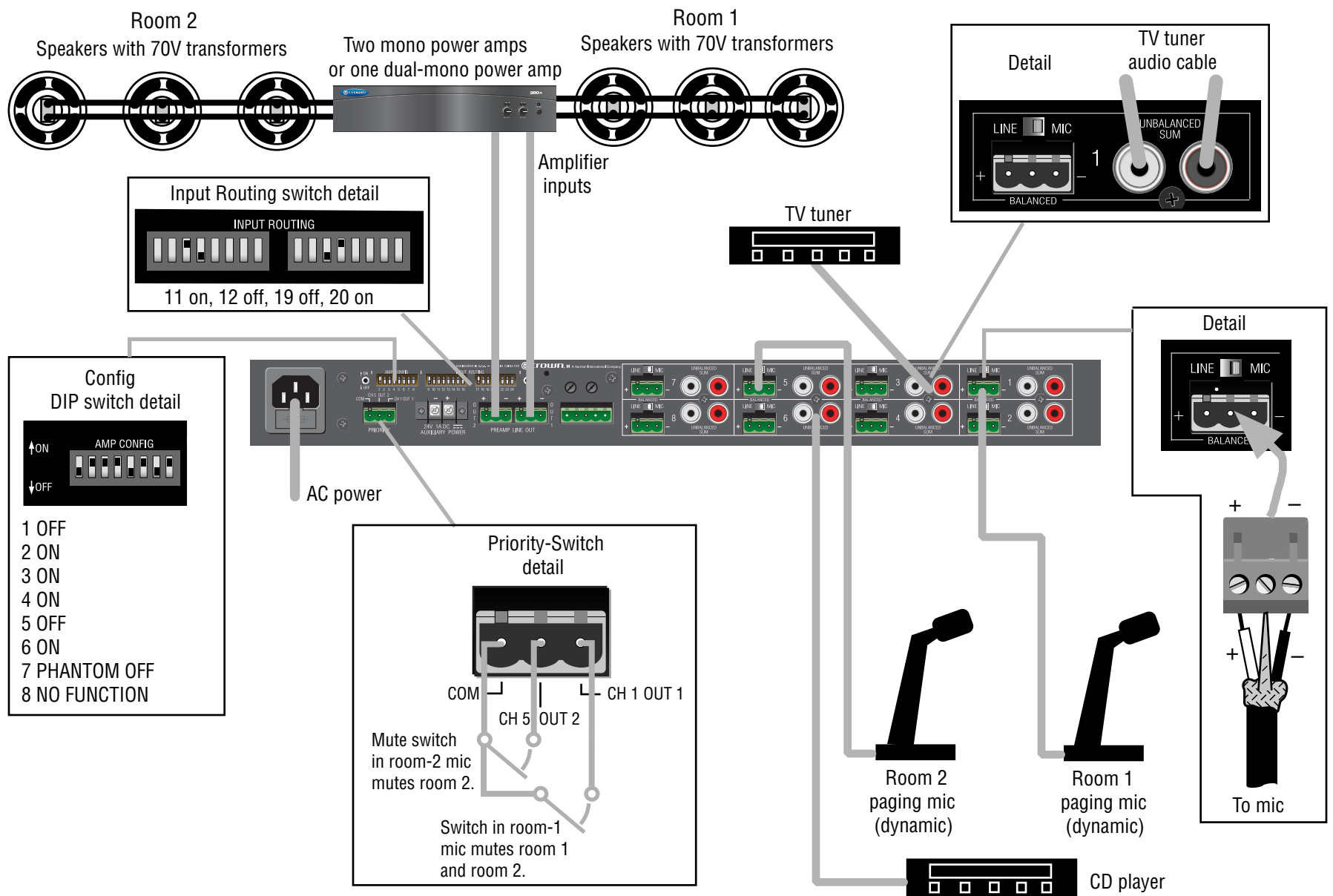
(OVER)

CROWN COMMERCIAL AUDIO SERIES MIXER

QUICK-START GUIDE

TWO ROOMS WITH INDEPENDENT PAGING using 28M

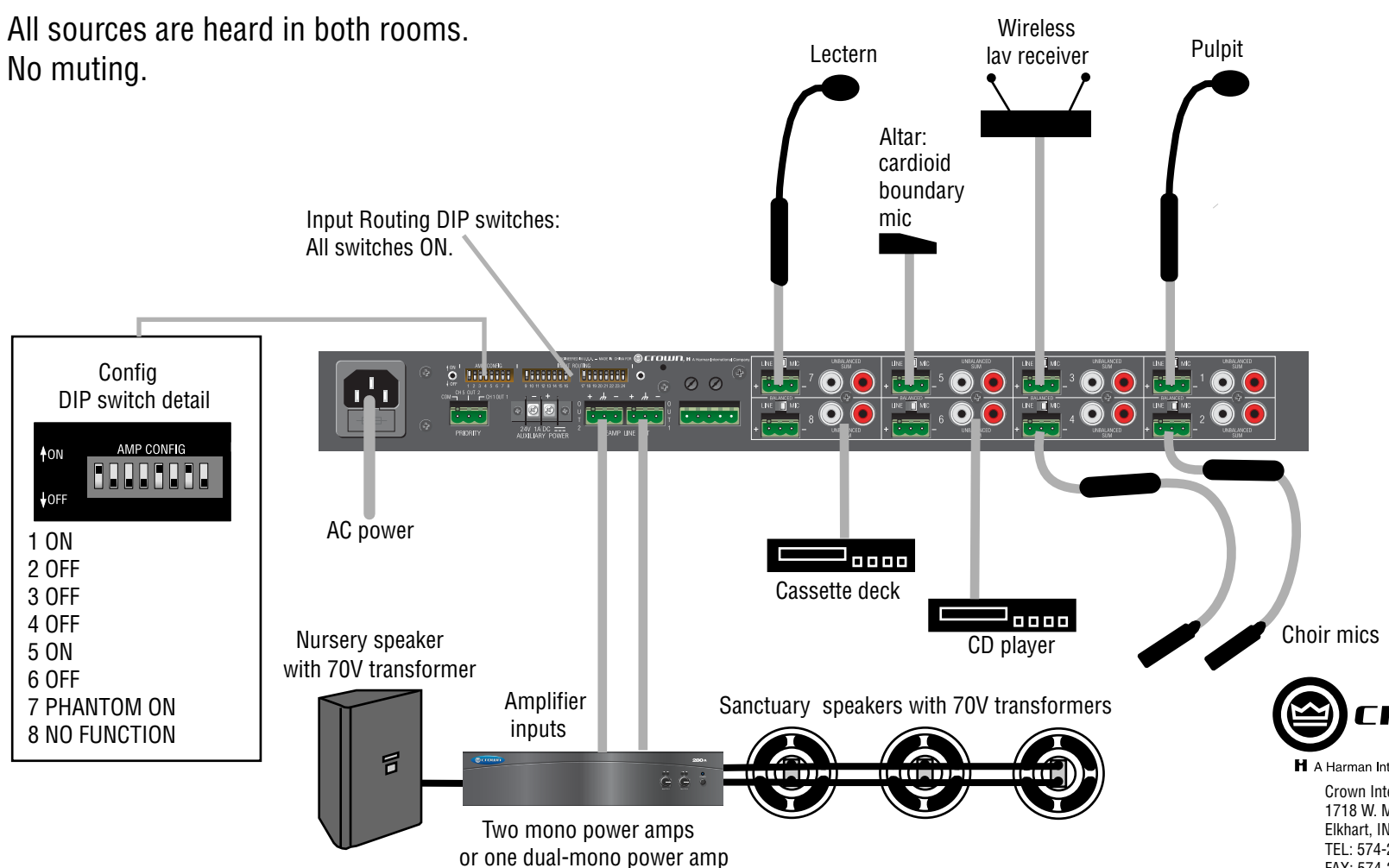
Room-1 mic mutes both rooms.



SAMPLE APPLICATION

HOUSE OF WORSHIP — SANCTUARY AND NURSERY using 28M

All sources are heard in both rooms.
No muting.



A Harman International Company
Crown International
1718 W. Mishawaka Rd.
Elkhart, IN 46517-9439
TEL: 574-294-8200
FAX: 574-294-8FAX
www.crownaudio.com

Specifications subject to change without prior notice. Latest information available at www.crownaudio.com. Crown and Crown Audio are registered trademarks of Crown International.

(OVER)