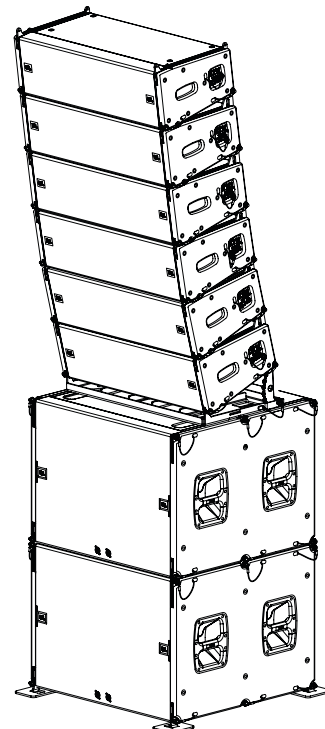
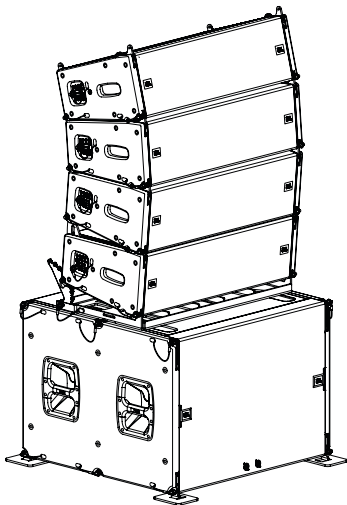


HIGHLIGHTS

- Used for ground stacking VTX A8
- Connects VTX A8 cabinets to subwoofers
- Universal M20 attachment method
- Range: -15° to +5°
- Lightweight design

DESCRIPTION

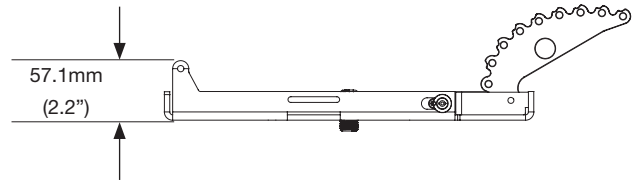
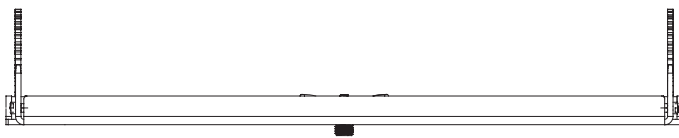
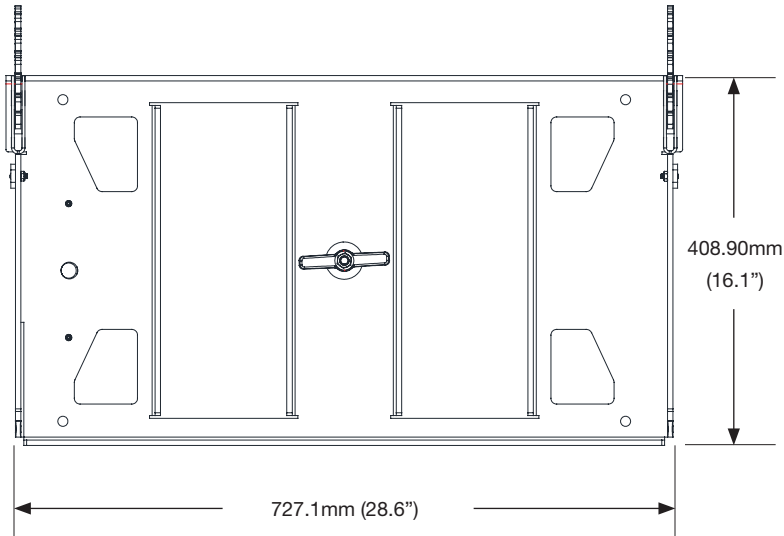
The VTX A8 base plate is a universal adapter frame that allows for ground stacking VTX A8 arrays on top of subwoofers or other structures. Using the included M20 screw, the VTX A8 BP connects to any subwoofer that contains a standard M20 pole mount adapter, such as the VTX B18. The base plate attaches directly to the bottom of an A8 array, and the rear angle selection bar allows for angles ranging from -15° to +5°. For subwoofers that don't include an M20 pole attachment, such as the VTX G28, a heavy duty 2" wide ratchet strap can be used to secure the base plate to the subwoofers. The base plate includes one ratchet strap through hole on each side for each deployment. When not used with subwoofers, the four corner M10 through holes can be used to permanently attach an A8 array to other structures, such as carts or staging platforms. Configurations and load conditions for using the VTX A8 BP can be obtained using JBL's LAC-3 software application. For more information about the base plate and use cases refer to the VTX A8 Rigging Manual.



INCLUDED

- 1 x VTX A8 BP Base Plate
- 4 x Stabilization feet for the B18

DIMENSIONS



TECHNICAL SPECIFICATIONS

Construction: High-grade steel with anti-corrosion coating

Finish: Black Powder Coat

Mechanical Limits¹

Maximum: 3x B18 + 6x VTX A8

Safe Limit: 3x B18 + 6x VTX A8

Dimensions (H x W x D)²: 57.1 mm x 727.1 mm x 408.90 mm
(2.2 in x 28.6 in x 16.1 in)

Net Weight³: 12.7 kg (28 lbs)

Footnotes:

1: Safe and maximum limits for ground stacked arrays always assume that the stacking surface (floor and or stage) is flat. Do not deploy ground stacked arrays on non-flat surfaces.

Always use the JBL Line Array Calculator to check mechanical safety when using the VTX A8 BP base plate

2: Refer to the 2D and 3D Customer Drawings for more detailed dimensions

3: Weight includes VTX A8 BP only

JBL continually engages in research related to product improvement. Some materials, production methods and design refinements are introduced into existing products without notice as a routine expression of that philosophy. For this reason, any current JBL product may differ in some respect from its published description, but will always equal or exceed the original design specifications unless otherwise stated.