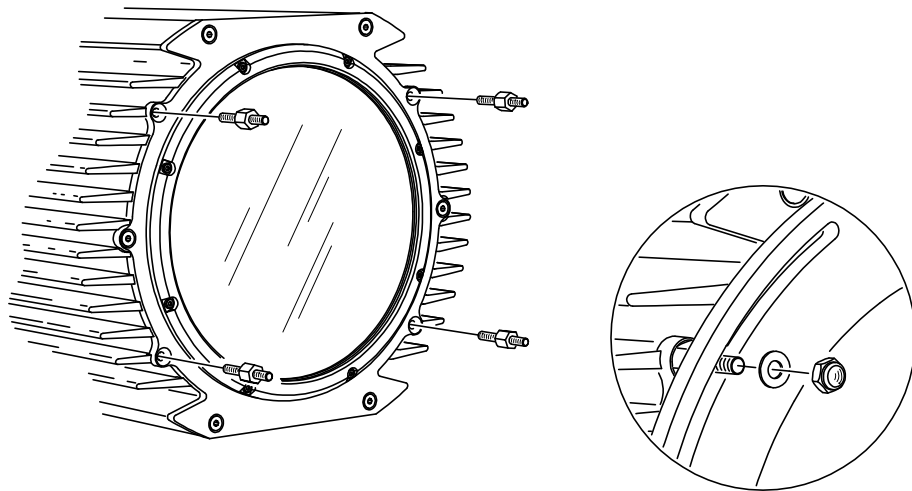


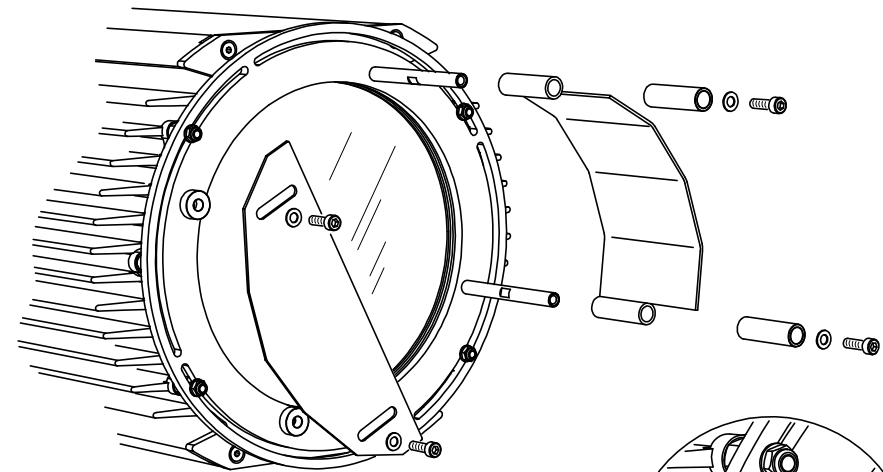
This installation note describes the mounting of snoot plates and/or barn doors on an Exterior 200 or Exterior 600. Barn doors are typically used for beam shaping and control, while snoot plates are used to reduce glare. You can mount a complete or partial snoot (using the 1/4 circle snoot plates), one or more barn doors, or any combination of these. The illustrations depict an Exterior 600, but the process is the same for Exterior 200 fixtures.

Remove 4 screws from the front (as shown) and mount the 4 adaptor bolts. Cross-tighten with a torque of 3 Nm (2.2 Ft-lbs) for the Exterior 600 and 1.8 Nm (1.3 Ft-lbs) for the Exterior 200.



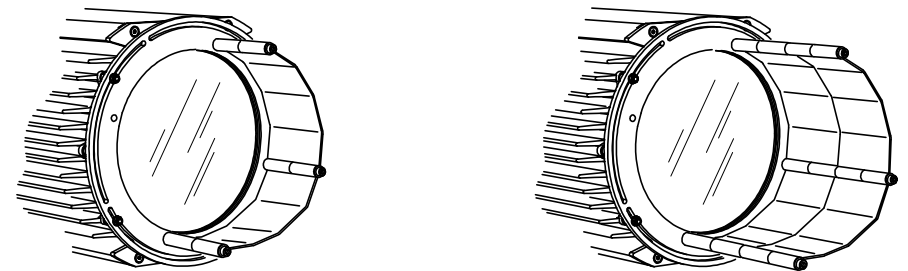
Mount the ring over the adaptor bolts, so that the bolts protrude through the guides in the ring. Attach the washers and lock nuts, but do not tighten them fully at this point.

Mount the barn doors and snoot plates in the required configuration using the screws and posts provided.



Note that if you want to mount a barn door on the ring itself, then you need to use two 8mm spacers so that the barn door does not interfere with the adaptor bolts and lock nuts. Barn doors are more effective the further away from the light source they are, so consider mounting the barn doors at the end of a complete snoot.

Lastly, rotate the ring to align the beam correctly and tighten the lock nuts.



To extend the snoot plates further than one level, you need an extension kit. This extension makes the lamp more sensitive to severe winds and the fixture should be secured with this in mind.

Extension Kit Exterior 600: P/N 91611030
 Extension Kit Exterior 200: P/N 91611032