

Maxxyz Wing & Playback Module

Installation Note




Martin

© 2005 Martin Professional A/S, Denmark.

All rights reserved. No part of this document may be reproduced, in any form or by any means, without permission in writing from Martin Professional A/S, Denmark. Printed in Denmark.

P/N 35000568, Rev. A

INTRODUCTION

Thank you for selecting the Martin Maxxyz Playback Wing.

The Maxxyz Playback Wing is an extension to the Maxxyz console that consists of either one or two Maxxyz Playback Module(s) and a Maxxyz Wing Frame. Each Maxxyz Playback Module provides 10 playback faders. Each optional Maxxyz Wing Frame accommodates up to two Playback Modules.

This manual matches the functionality provided in Version 1.3.78 of the Maxxyz software. For the latest firmware and software updates, documentation, and other information about this console, please visit www.maxxyz.com.

Technical Support

For a complete list of Technical Support phone numbers, please visit our web site at <http://www.martin.com/service/hotline.asp>

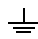
Maxxyz Safety Information

This product presents risks of lethal or severe injury due to electric shock. **Read this Installation Note** before powering or installing the console, follow the safety precautions listed below and observe all warnings in this manual and printed on the console. If you have questions about how to operate the console safely, please contact your Martin dealer or call the Martin 24-hour service hot line at +45 70 200 201 or +1 954 858 1800.

- Always ground (earth) the device electrically.
- Use only a source of AC power that complies with local building and electrical codes and has both overload and ground-fault protection.
- Do not expose the device to rain or moisture.
- Refer any service operation not described in this manual to a qualified technician.
- Do not modify the device or install other than genuine Martin parts.

Power Connection

You may need to install a cord cap that fits your supply on the power cable. A 3-prong grounding-type plug must be installed following the manufacturer's instructions. The table below shows some possible pin identification schemes; if the pins are not clearly identified, or if you have any doubts about proper installation, consult a qualified electrician.

Wire Color	Pin	Symbol	Screw (US)
brown	live	L	yellow or brass
blue	neutral	N	silver
yellow/green	ground		green

Included Items

Each Maxxyz Playback Module (part number 90732100) contains the following items:

- Playback Module
- 6.3 AT fuse (installed) for use with AC supplies of 200 - 250 volts
- IEC Power cable
- IEC Extension cable
- Ethercon network cable
- Desk lamp
- USB cable

Each Maxxyz Wing Frame (part number 90732110) contains the following items:

- Road case
- Wing Frame with attached Ethercon and Power interconnect cables
- Desk lamp
- Ethercon network cable
- Two spindles for attaching Wing Frame to Maxxyz console

SET UP/ASSEMBLY

There are two different methods of setting up the playback modules; one for “stand alone” use and one for mounting in the Wing Frame. In most cases, a single module will be used in the “stand alone” mode, while the Wing Frame will be used with two modules.

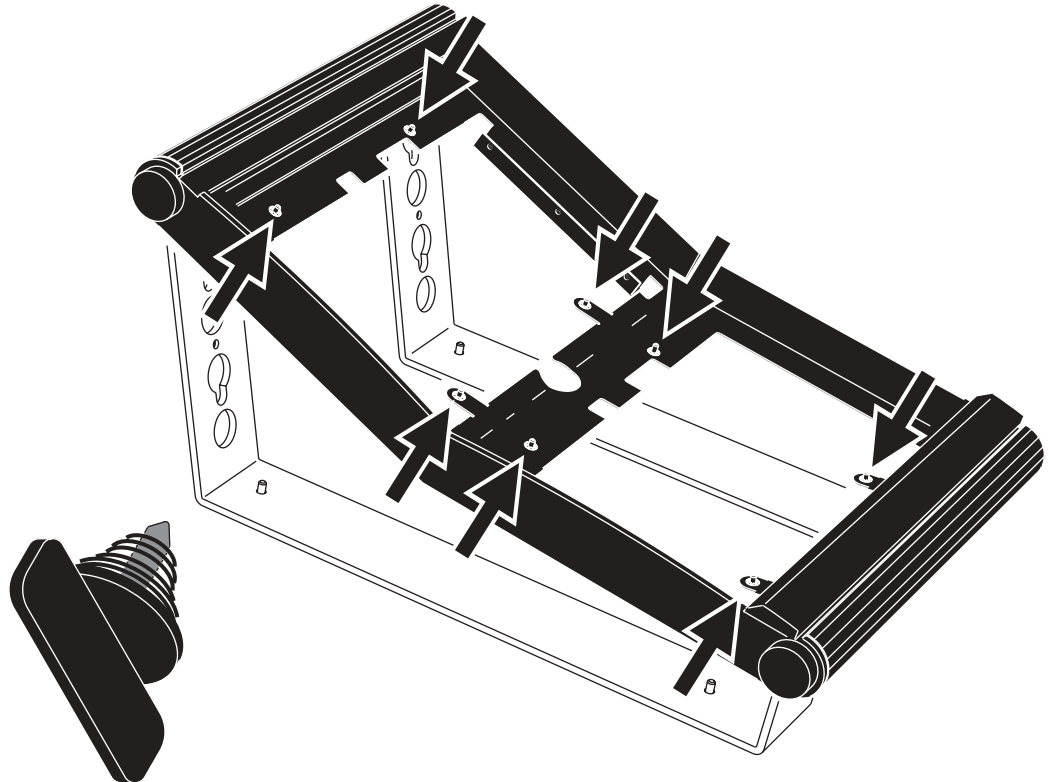
Single Playback Module

A Maxxyz module ships with protective side plates attached to each side. These plates support the faceplate and prevent cosmetic damage to the module. Aside from connection to the console, the module is “ready to use” as soon as it’s removed from the box.

Module Use with Wing Frame

1. Remove the Playback Module(s) and Wing Frame from their packing materials.
2. Using a 4mm allen wrench, remove the three screws that attach the side plates to each side of the module.
3. Insert a module into the *lower* of the two mounting apertures in the wing frame.
4. Gently roll the frame and module onto one side.

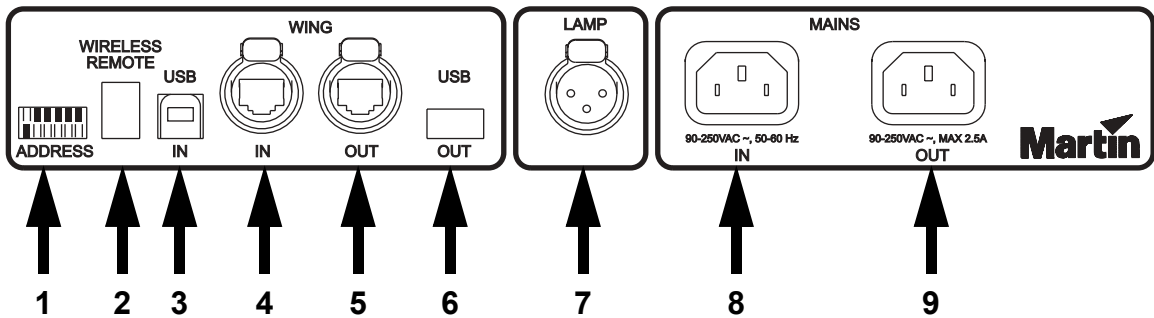
5. Align the module with the quarter-turn screws (illustrated below) in the frame, and attach the module to the frame by turning the screws one full quarter-turn clockwise until they lock.



6. Connect the IEC power cable to the **“Mains In”** connector.
7. Connect the Ethercon network cable to the **“Wing In”** connector.
8. Repeat steps 2. to 4. to insert a module into the top opening.
9. Connect the IEC power cable to the **“Mains Out”** connector of the top module.
10. Connect the Ethercon network cable to the **“Wing Out”** connector of the top module.
11. Attach the desk lamp to the connector labeled **“Lamp”** on the back of the top module.

These steps can also be followed for connecting two modules that are not mounted in a Wing Frame. Further, it is possible to connect one wing to another wing by going from the **“Wing Out”** connector on the bottom module of the first wing to the **“Wing In”** connector on the top module of the second wing. In no case may the number of modules on a given link exceed four and no cable may exceed 5 meters.

CONNECTIONS AND CONFIGURATION



- 1 DIP Switch Address (see below for settings)
- 2 Wireless Remote (reserved for future use)
- 3 USB In (reserved for future use with Maxxyz PC)
- 4 Wing In Ethercon connector
- 5 Wing Out Ethercon connector
- 6 USB Out (reserved for future use with Maxxyz PC)
- 7 Desk Lamp connector
- 8 Mains In
- 9 Mains Out

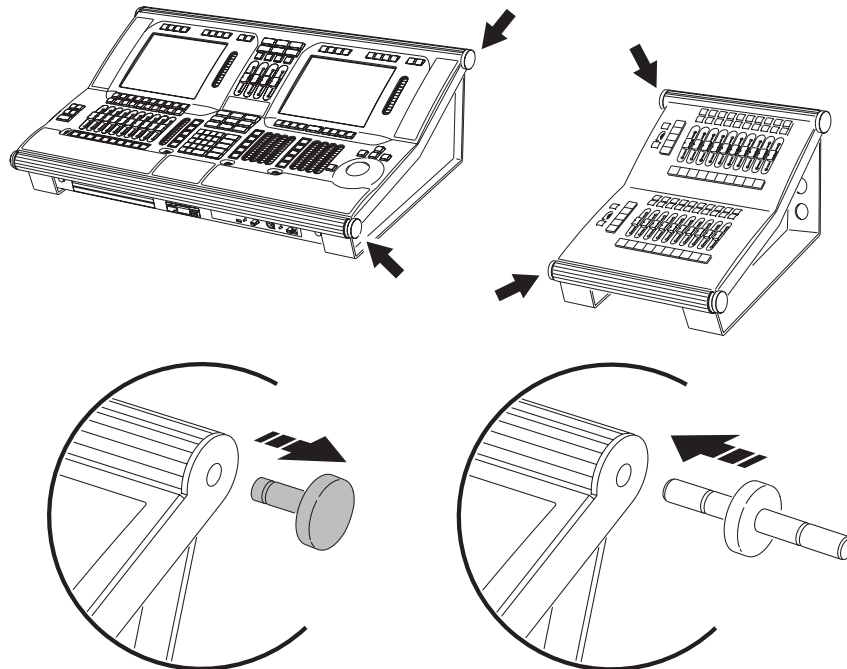
Connections

Connections for either an individual Playback Module or a Wing Frame are simple and similar.

1. Connect an Ethercon network cable to the “Wing In” port on the back of the module. If you are using the Wing Frame, use the “Wing In” port on the top module.
2. Connect the other end of the Ethercon cable to either “Wing 1,” “Wing 2,” “Wing 3,” or “Wing 4” on the back of the Maxxyz console. It doesn’t matter which port you use.
3. Connect the IEC cable to the “Mains In” connector on the back of the module and plug the other end to your mains power supply. If you are using the Wing Frame, use the “Mains In” on the top module.

While it is possible to use the Wing Frame standing separately from the Maxxyz console, it is also possible to connect the Wing Frame directly to the Maxxyz console.

4. Remove the top and bottom end caps from either the left or right side of the Wing Frame.



5. Remove the top and bottom end caps from the opposite side of the Maxxyz console.
6. Place the spindles provided with the Wing Frame into the holes formerly occupied by the end caps in the Wing Frame.
7. On a level surface, slide the Wing Frame with attached spindles into the end cap holes on the Maxxyz console.

It is also possible to connect multiple Wing Frames together in this manner.

After connecting the Wing Frame to the Maxxyz console, it may be convenient to move the monitor bracket from the console to the Wing Frame.

If you wish to hinge the Maxxyz console up, or for transport purposes, it may be more convenient to temporarily disconnect and detach the Wing Frame.

Configuration

It is possible to connect up to sixteen (16) modules (or eight fully populated Wing Frames) to a Maxxyz console. No more than four modules may be connected to any given wing port found on the back of the console and every module must have a unique ID. These IDs are set using the DIP switches found on the back of the module. The table below shows the appropriate settings for each module.

Module #	PIN 1	PIN 2	PIN 3	PIN 4	PIN 5	PIN 6
1	Off	Off	Off	Off	Off	Off
2	On	Off	Off	Off	Off	Off
3	Off	On	Off	Off	Off	Off
4	On	On	Off	Off	Off	Off
5	Off	Off	On	Off	Off	Off
6	On	Off	On	Off	Off	Off
7	Off	On	On	Off	Off	Off
8	On	On	On	Off	Off	Off
9	Off	Off	Off	On	Off	Off
10	On	Off	Off	On	Off	Off
11	Off	On	Off	On	Off	Off
12	On	On	Off	On	Off	Off
13	Off	Off	On	On	Off	Off
14	On	Off	On	On	Off	Off
15	Off	On	On	On	Off	Off
16	On	On	On	On	Off	Off

A DIP switch pin in the down position is “on.”

Software

The Maxxyz Playback Module requires connection to a Maxxyz console running version 1.3.78 or higher. It is recommended that when the wing is first installed, that it be powered *before* the Maxxyz console is started. In this way, it is assured that the proper software and drivers will be automatically loaded.

CONTROLS

The majority of the functionality of the Playback Module is covered in the Maxxyz User Manual in the chapter “Working with Cues” under the heading “Playback Controls.” However, to the left side of the module are 5 LCDs, one jog wheel and two buttons that have specific functions.

LCD Keys

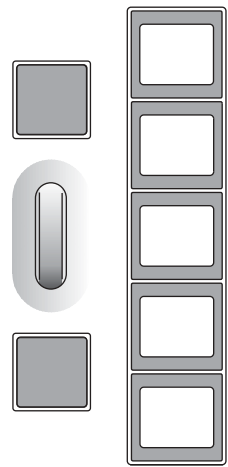
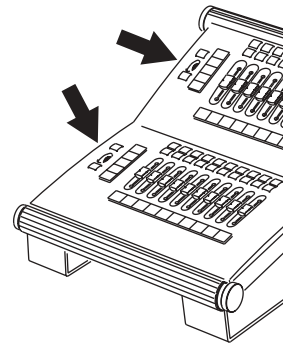
The LCD keys on the Playback Module are used for selecting the Bank you are working from. To load a bank, press the desired key. Note that when you press a key to select a bank, that bank will then be loaded to the center LCD key and the other LCDs will increment or decrement accordingly.

Jog Wheel

The silver jog wheel is used to scroll up and down the bank selections. Rolling the jog wheel up (away from you) will increment the banks displayed in the LCDs by one. Rolling the jog wheel down will decrement the display by one.

Buttons

Above and below the jog wheel are two buttons. Pressing the top button will cause the banks displayed in the LCDs to increment by five while pressing the bottom button will cause the LCDs to decrement by five.



SERVICE

The Maxxyz module is designed as a rugged, roadworthy device. Occasional cleaning is the only service required of the user. For any other service-related concerns, please contact your Martin dealer or visit www.martin.com.

Any service not described in this installation note must be carried out by a qualified Martin technician

Cleaning

The Maxxyz module requires periodic cleaning, as does any computer. The schedule depends heavily on the operating environment; please consult a Martin service technician for recommendations if needed.

As with any computer, never spray the cleaner directly onto the module, always spray onto a lint-free cloth and wipe clean.

Important! Excessive dust and smoke fluid buildup can degrade performance and cause overheating and damage to the module that is not covered by the warranty.