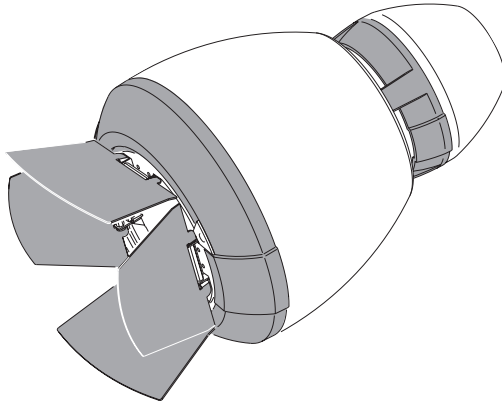


Alien 02 Barn Door Kit

installation note

The barn door kit is easily attached to the Alien 02 spot and allows for precise beam control. The barn doors can be opened, closed, and rotated. They can be used in situations where you need to shape the beam or prevent light leakage.



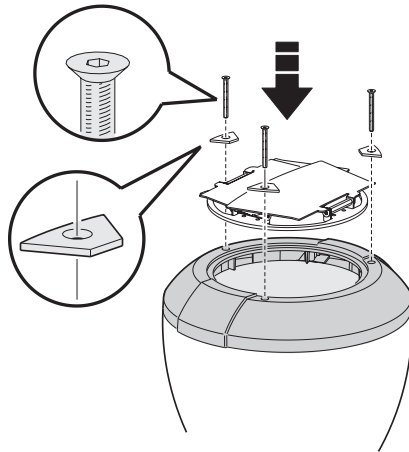
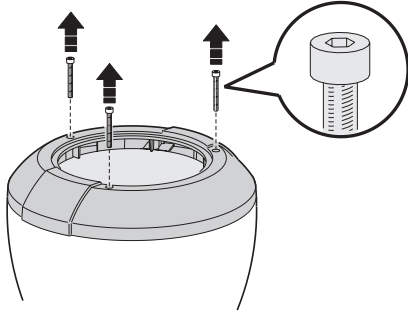
REQUIREMENTS

Installing the barn door kit requires a 3 mm Allen wrench and a Torx 10 screwdriver.

INSTALLATION

To install the barn door kit:

- 1 Remove the three 3 mm Allen screws holding the front lens bracket in place.



- 2 Place the barn door kit over the lens.
- 3 Screw the barn doors into place using the longer Allen screws and plates supplied with the kit.
- 4 The Torx screws on the door hinges may need to be tightened using a Torx 10 screwdriver.