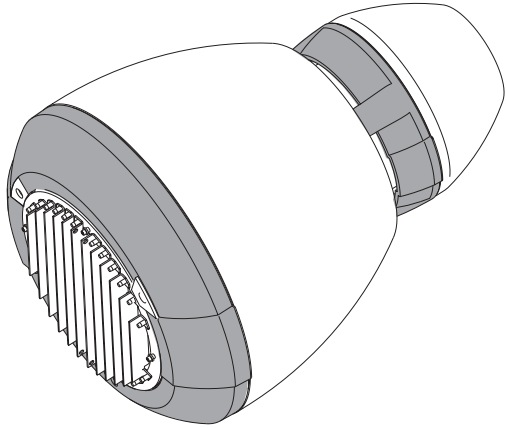


# Alien 02 Glare Control Kit

## installation note

The Glare Control Kit is easily attached to an Alien 02 luminaire. The Glare Control Kit consists of a rotatable grill that is designed to reduce light leakage.



## REQUIREMENTS

---

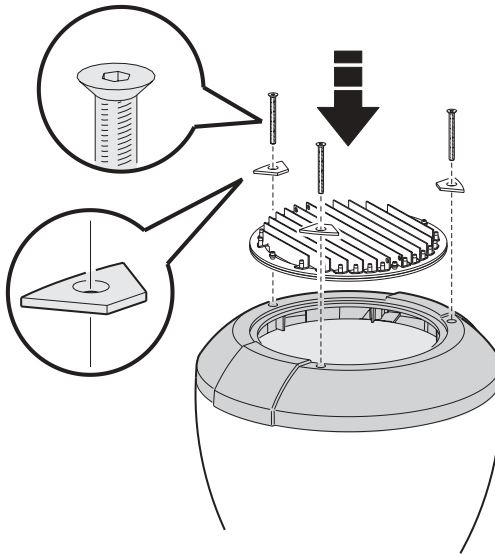
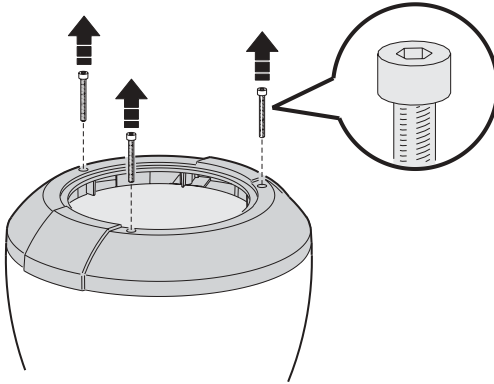
Installing the Glare Control kit requires a 3 mm Allen wrench.

# INSTALLATION

---

To install the Glare Control Kit:

- 1 Remove the three 3 mm Allen screws holding the front lens bracket in place.



- 2 Place the Glare Control grill over the lens.
- 3 Screw the grill into place using the longer Allen screws and plates supplied with the kit.