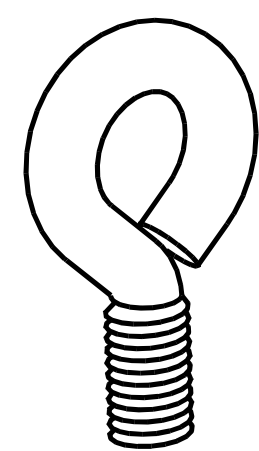


INSTRUCTIONS

HAZER FLYING KIT

Contents

x3 M8x16 Eye bolt



x3 M8 Hexagon Nut



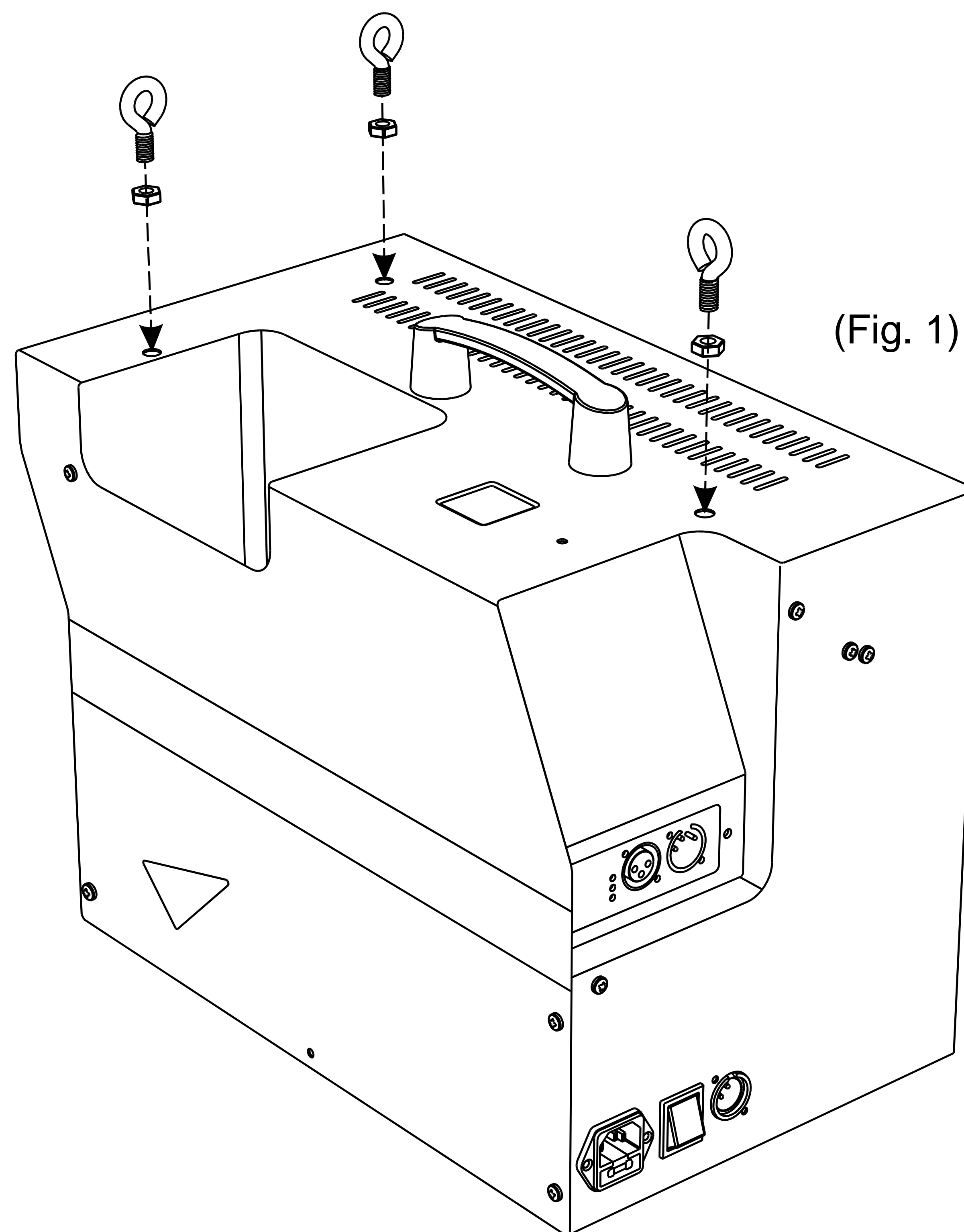
Instructions

Remove the eye bolts and nuts from the packaging. Ensure the nuts are fully screwed all the way up the eye bolts. Screw the eye bolts in to the three threaded holes on top of the machine (Fig. 1). Orientate them into the correct position (Fig. 2). To ensure eye bolt does not rotate, tighten nut on to the top cover using a 13mm spanner.

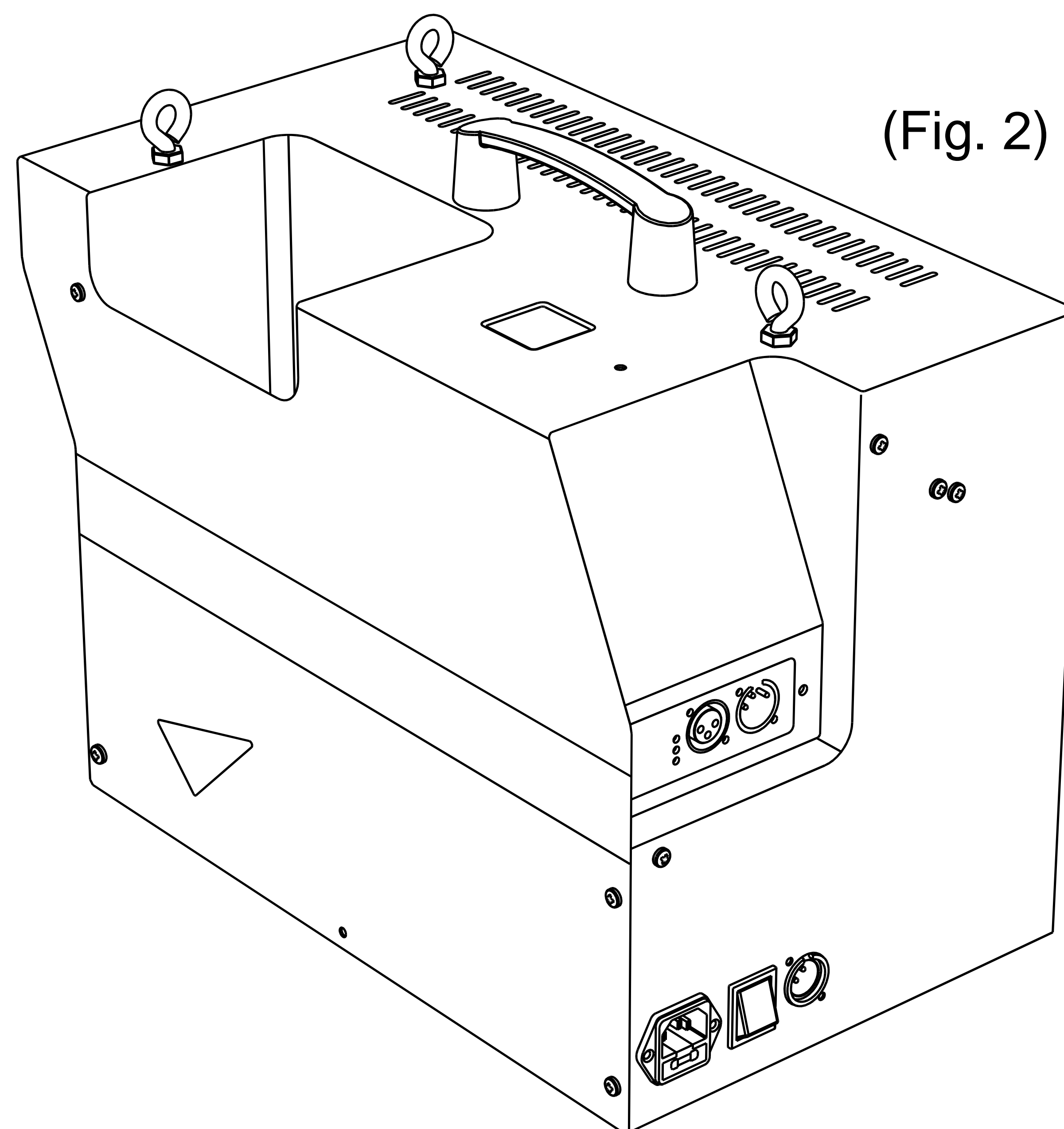
WARNING!

Do not suspend the machine overhead.

Ensure that the fixings used to suspend the machine are adequate to support the weight.



(Fig. 1)



(Fig. 2)

Martin