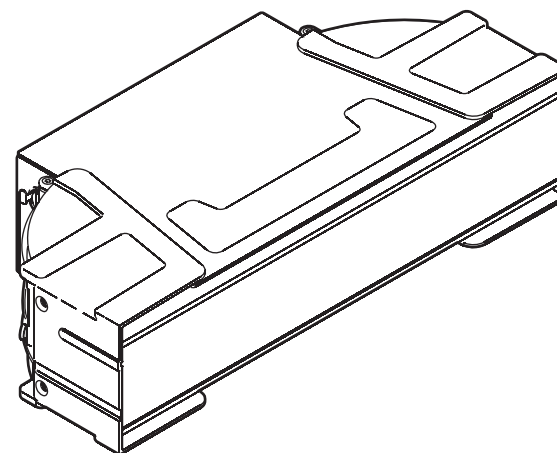
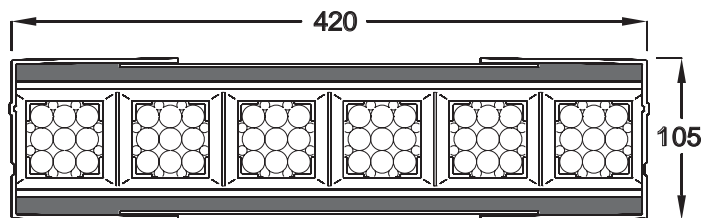
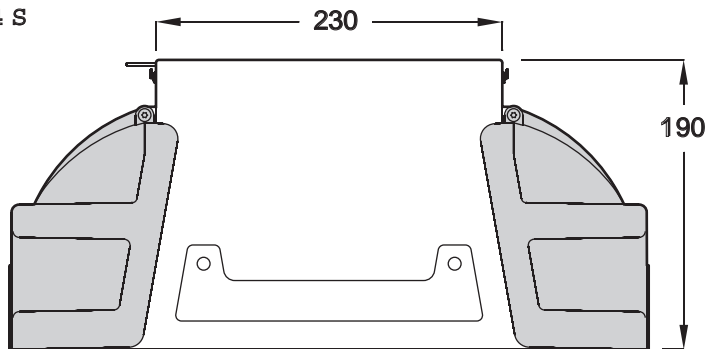
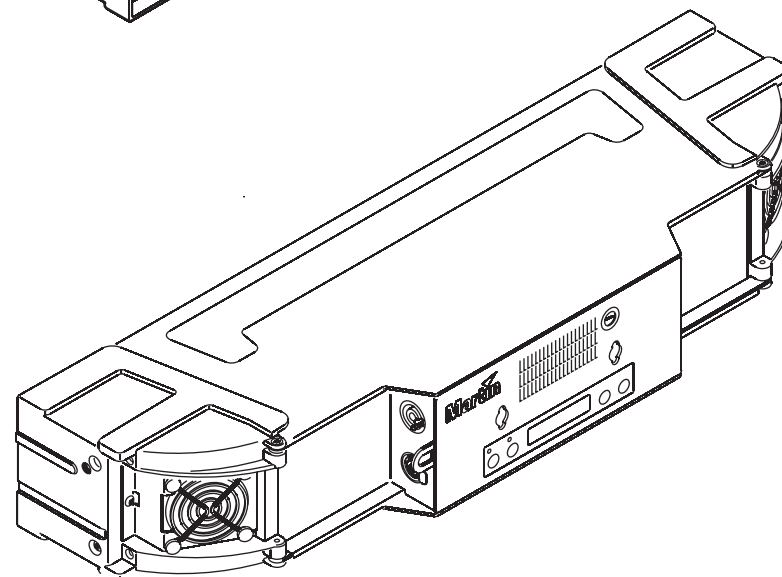
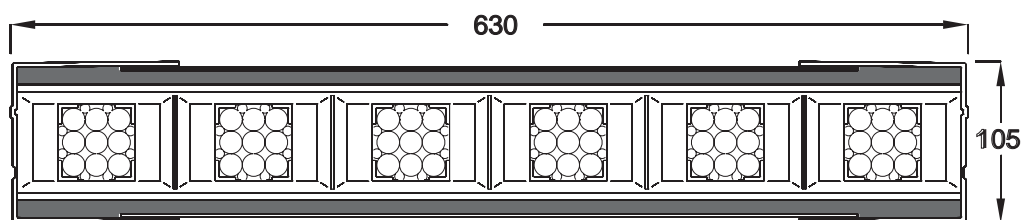
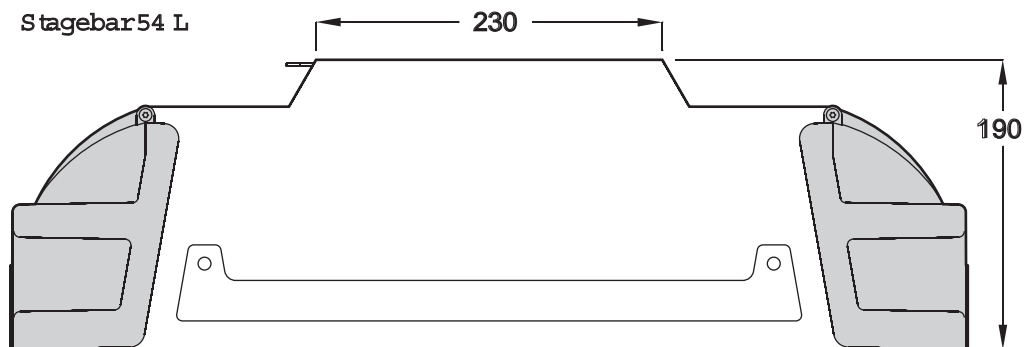


Stagebar54 S



Stagebar54 L



All dimensions in mm.

Martin		Weight (kg)		
Product	Stagebar 54 L / S	Scale	Date	04.07.2007
Description		Sign		NPE
Dimensions		Drawing		Revision
		Dimensions		A