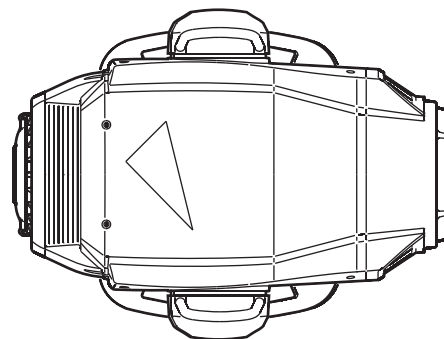
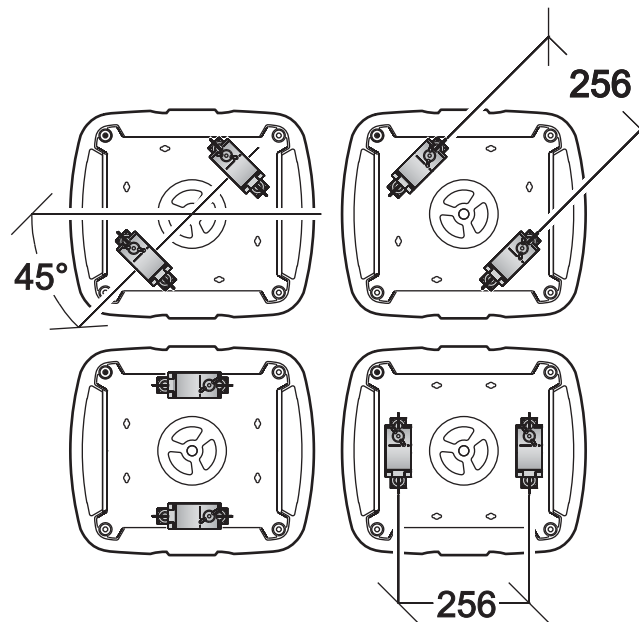
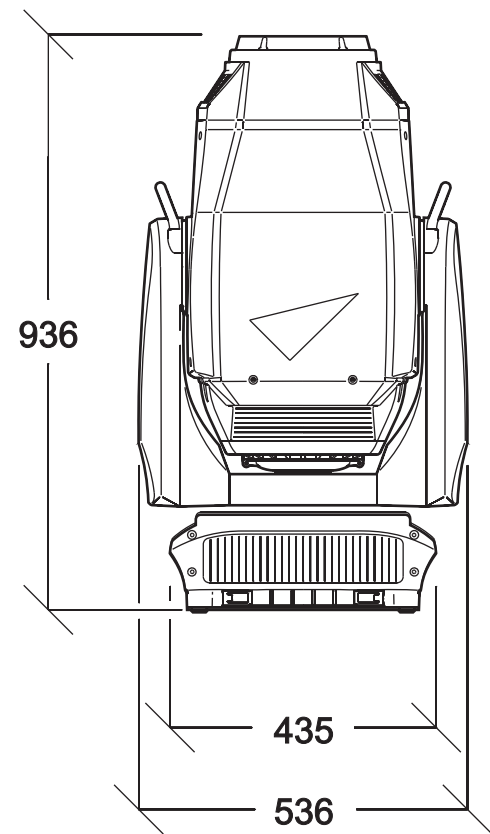


Min. C/C 800



All dimensions in mm.

<b>Martin</b>		Weight(kg)	
Product	MACIII	Scale	
Description		Date	8.12.2009
		Sign	NPE
Dimensions		Drawing	Dimensions
		Revision	C