

# MACH MIW62i



## KEY FEATURES

- Easy and secure mounting system: Just insert speaker in hole and tighten mounting screws
- Square box with large front overlap to reduce need for accurate cutout and make installation really quick and simple
- Easy mounting of speaker wires with press/release terminals
- Tools for grille removal included
- Excellent sound quality with 1" polycarbonate dome tweeter and 6½" propylene woofer

## DESCRIPTION

The MIW62i is a 2-way In wall/In ceiling speaker with separate driver units and excellent sound quality in a strong and functional molded plastic cabinet and a specialized backing case that ensures optimal sound integrity. With its numerous features the MIW62i is an extremely flexible product suitable for a wide range of install applications where a wall or ceiling features a cavity. The MIW62i is perfectly suitable to the other products in the In wall/In ceiling range: The MIW66 and the CS 5, 6 and 8.

## SPECIFICATIONS

Power rating IEC268:	50 watt
Sensitivity 1w/1m:	88 dB
Max SPL, calc. long term:	107 dB
Max SPL, calc. short term:	113 dB
Frequency range +/-3dB:	80 Hz-20 kHz
Dispersion angle:	120 x 120 degrees
Nominal impedance:	8 ohm

### Weight & Measurements:

Outside Dimensions (HxWxD):	305 x 218 x 84mm (12 x 8,6 x 3,3 inches)
Cutout Dimensions (HxWxD):	278 x 190 x 80mm (10,9 x 7,5 x 3,1 inches)
Net weight:	3 kg (6,6 lbs)
Finish:	ABS
Grille:	Aluminum
Flying system:	Ceiling frame

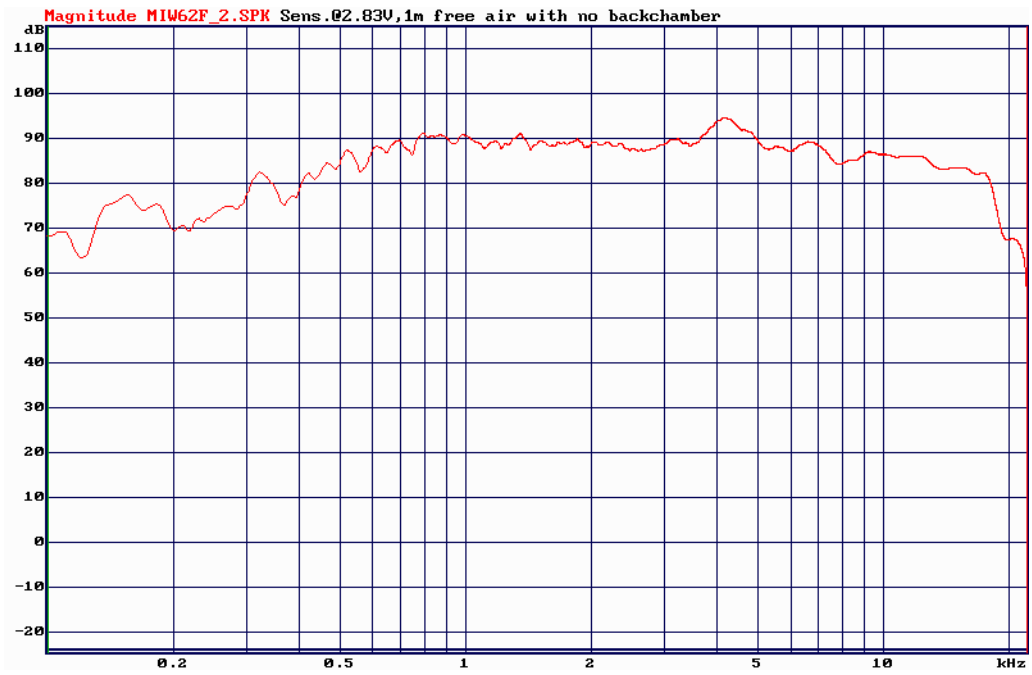
## ARCHITECTURAL SPECIFICATIONS

The loudspeaker system shall be a 2-way In wall/In ceiling speaker with an IEC268 power handling of 50 watt. The loudspeaker system shall have a sensitivity of 88 dB and a maximum output of 113 dB. The speaker shall be constructed of ABS and shall be 187mm(7.4in), 270mm (10.6in) wide and 127mm(5 in) deep with a weight of 2.6 kg (5.7 lbs). The loudspeaker system shall be the Mach MIW62i.

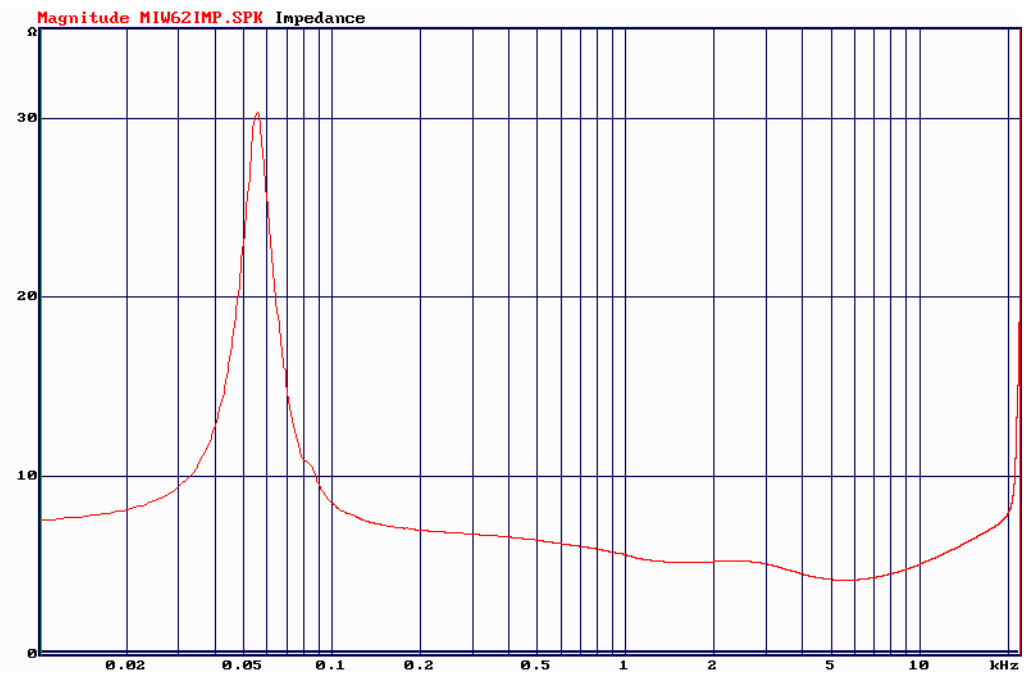
**NOTE:** Mach is continually working on research and production improvements, which can be introduced into existing products without notice. The products will always equal or exceed the original design specifications unless otherwise stated.

# MACH MIW62i

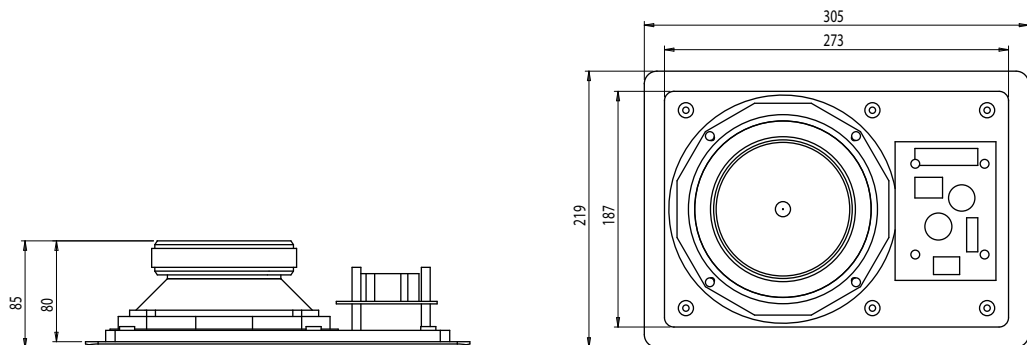
## FREQUENCY RESPONSE



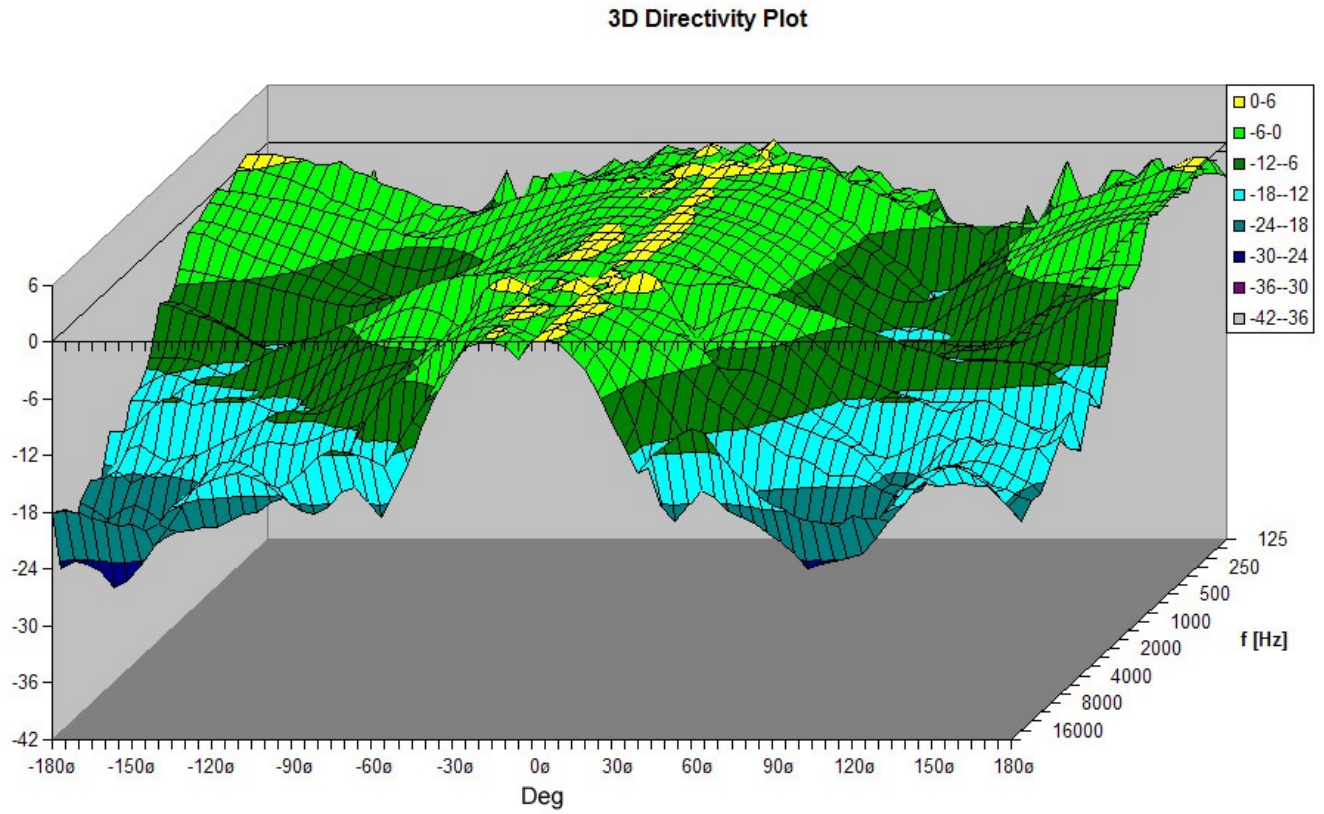
## IMPEDANCE RESPONSE



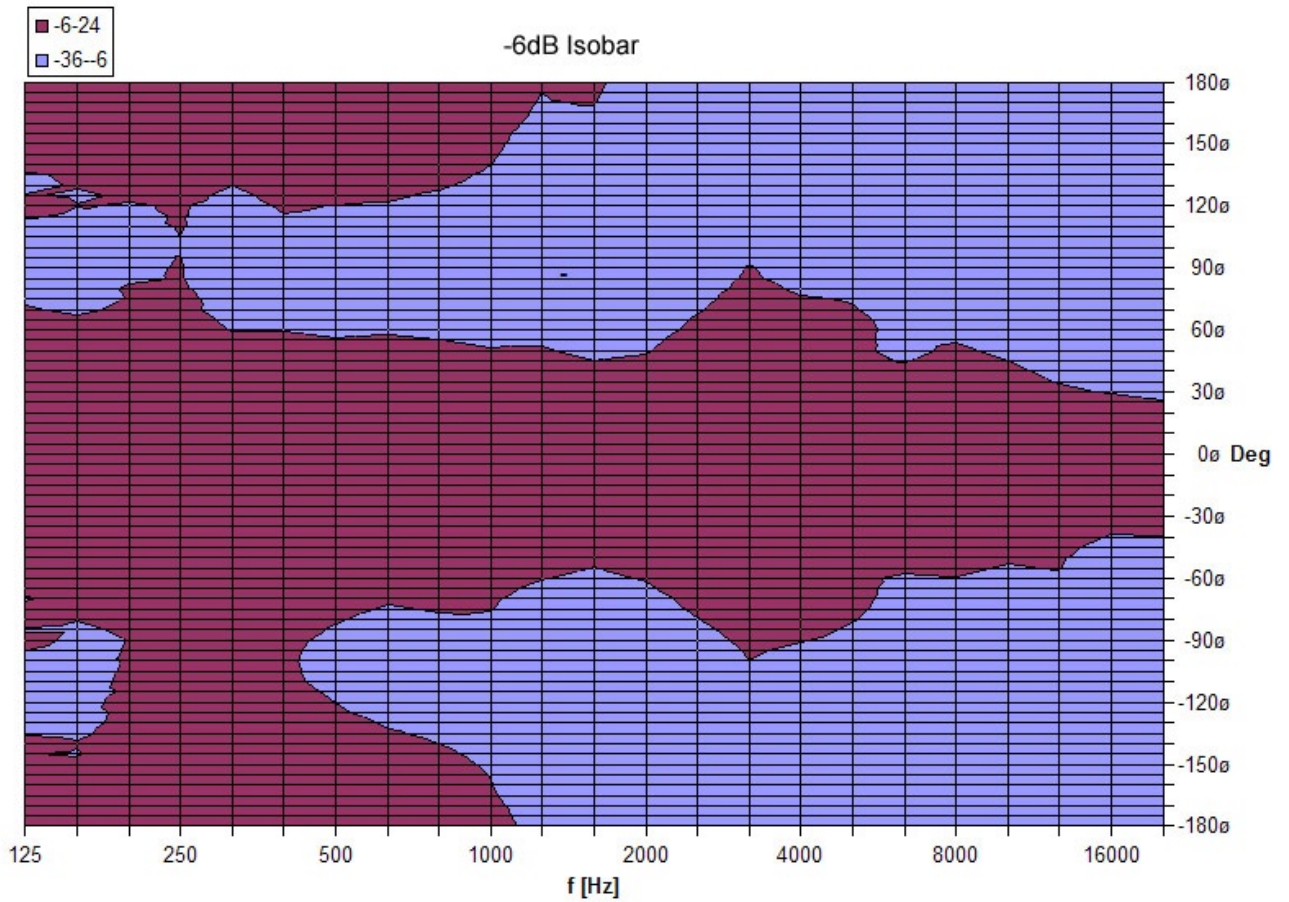
## SIZE AND SHAPE



## 3D DIRECTIVITY PLOT HORIZONTAL

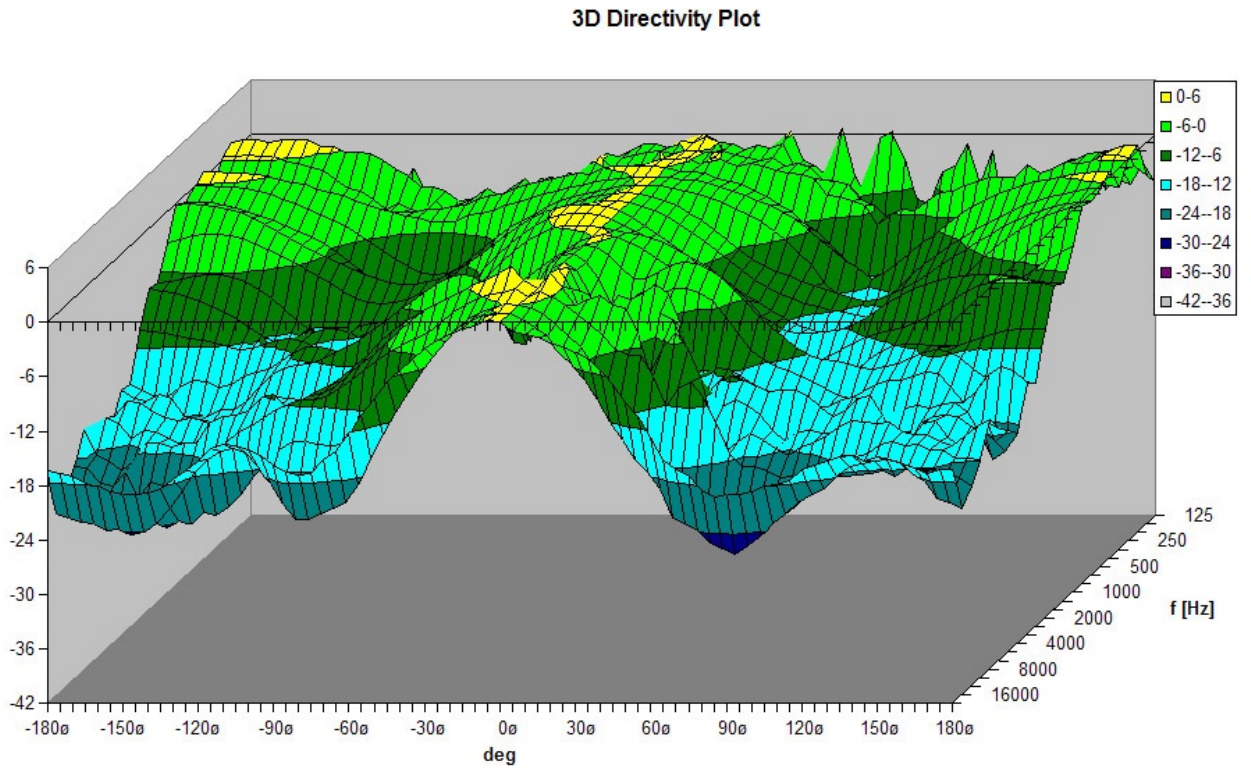


## -6 dB ISOBAR HORIZONTAL





## 3D DIRECTIVITY PLOT VERTICAL



## -6 dB ISOBAR VERTICAL

