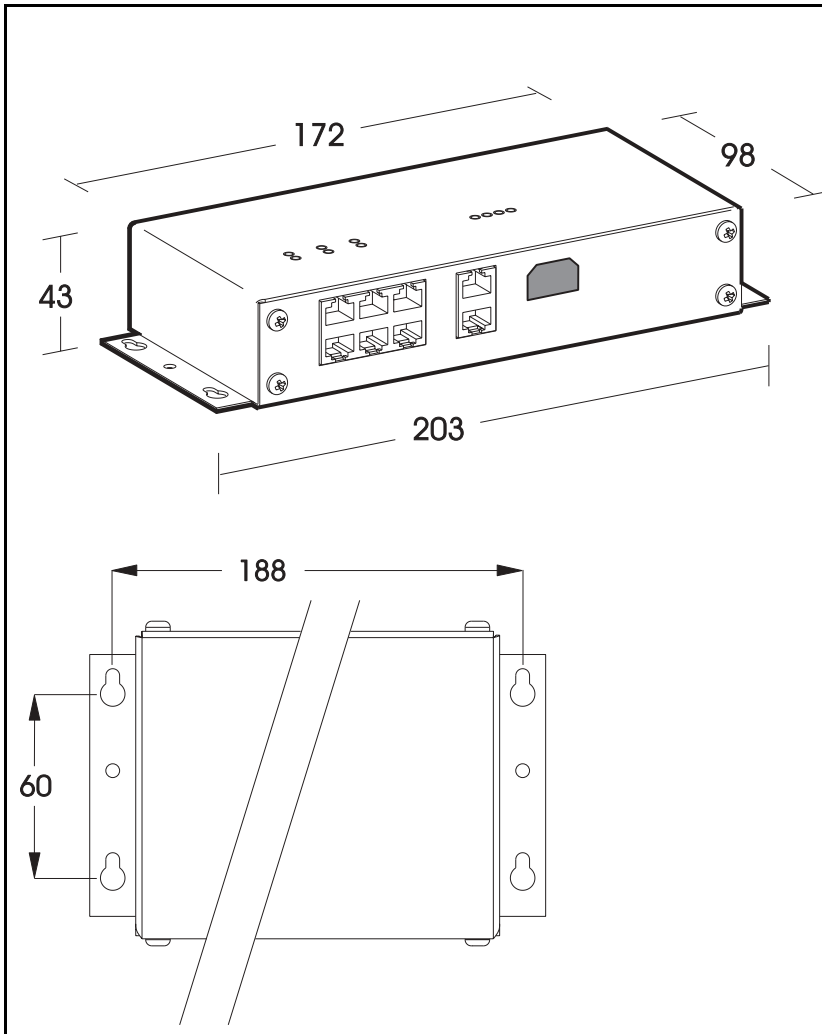


05 Repeater

user manual



Measurements are in millimeters



© 2002 Martin Professional A/S, Denmark.

All rights reserved. No part of this manual may be reproduced, in any form or by any means, without permission in writing from Martin Professional A/S, Denmark.

Printed in Denmark.

P/N 35000123, Rev A

INTRODUCTION

Thank you for selecting the Martin 05 Repeater. The 05 Repeater is part of the Alien 05 system and is used to connect up to 24 additional Alien 05 luminaires to a single control channel from the 05 Driver unit. These luminaires will respond in the same way as they will have the same control signal.

For a detailed description of the Alien 05 System, refer to the 05 Driver user manual.

SAFETY INFORMATION

Warning! *This product is not for household use.*

Read this manual before powering or installing the device, follow the safety precautions listed below and observe all warnings in this manual and on the housing. If you have questions about how to operate the system safely, contact your Martin dealer or call the Martin 24-hour service hotline at +45 70 200 201.

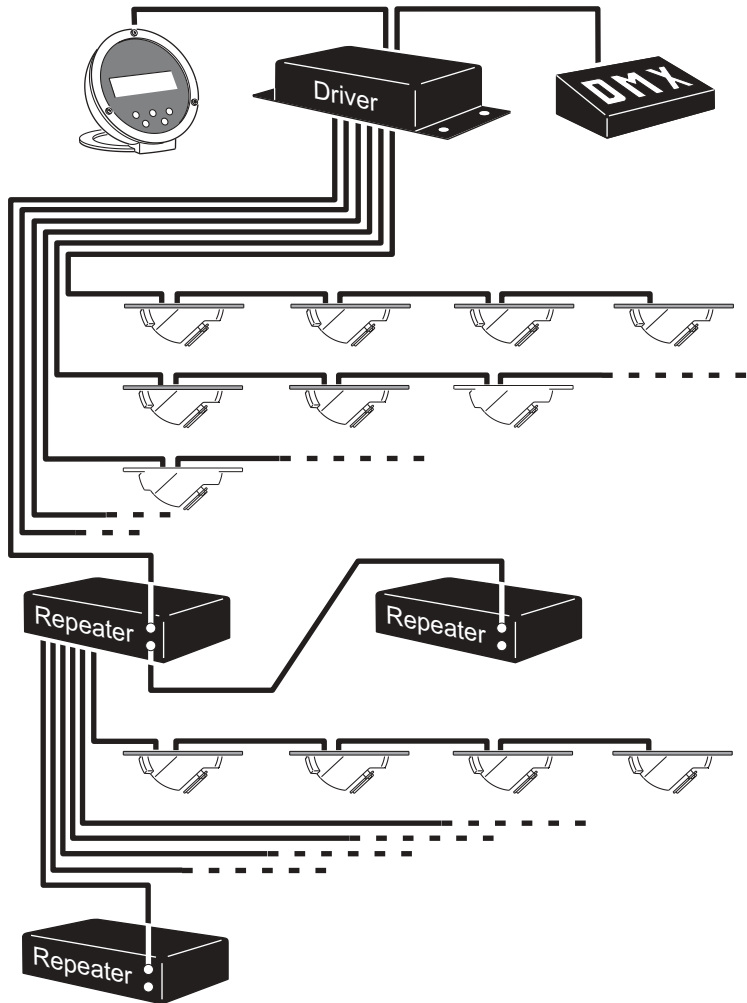
- Install only in a dry area.
- Refer electrical installation to a qualified electrician.
- Refer all service to a Martin technician.
- Use only a source of AC power that complies with local building and electrical codes and has both overload and ground-fault protection.
- Do not remove the cover.
- Do not modify the device.

POWERING THE 05 REPEATER

The 05 Repeater features an auto-ranging power supply. It is suitable for use with 90 - 250 V, 50/60 Hz mains supplies. Use a cable with a 3 pin IEC female plug.

Warning! *For protection from dangerous electric shock, the fixture must be grounded (earthed). The AC mains supply shall be fitted with a fuse or circuit breaker, ground-fault protection, and a means to isolate the fixture from the mains during service or when not in use. Refer electrical installation to a qualified electrician.*

CONFIGURATION



Channel signal input

The channel signal input connector is labeled **Alien driver Channel link Out/In** (the two connectors are interchangeable, so use either one of them). Use a CAT5 cable to connect this to:

- One of the six output channels on an 05 Driver, or
- One of the six output channels on another 05 Repeater (that is itself connected directly or indirectly to an 05 Driver), or

- The **Alien Driver Channel link Out** on another 05 Repeater (that is itself connected directly or indirectly to an 05 Driver that is not more than 40 metres of cable length away).

Connecting Alien 05 luminaries to the 05 Repeater

You can connect up to twenty-four Alien 05s to a single 05 Repeater - in 6 outputs (A-F), each containing up to four daisy-chained luminaries.

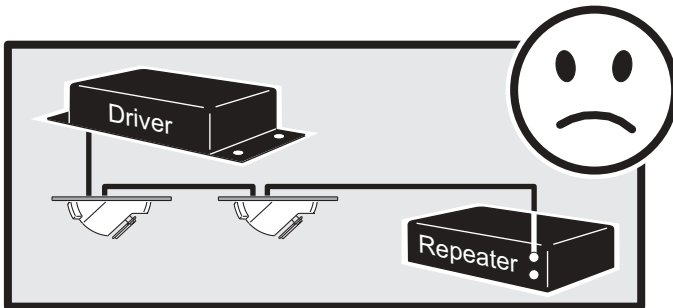
The maximum data cable length between the 05 Repeater output and the last fixture in the daisy chain is 40 meters (130 feet).

Connecting additional 05 Repeaters

Up to eight 05 Repeaters can be daisy-chained using the **Alien Driver Channel link Out/In** connectors, but note that this connector is unamplified and that the last fixture in this daisy chain should not be more than 40 cable meters (130 feet) away from the 05 Driver.

You can also connect a single 05 Repeater to each or any one of the 6 amplified **Output (A-F)** connectors on an 05 Repeater, and then connect additional s05 Repeater to those. In this way a theoretically unlimited number of 05 Repeaters may be connected to an single 05 Driver.

Warning: *Do not mix Alien 05 luminaries and 05 Repeaters on the same Output link. Connect only Alien 05 luminaires, or only a 05 Repeater, to an individual connector. This applies to both the 05 Driver and the 05 Repeater.*



FIXTURE LOCATION

Once the Alien system is set-up and running, there should be no need to access the 05 Repeater. It may be installed in any convenient location that meets the following conditions:

- The maximum tested data cable length between the 05 Repeater and any directly connected Alien 05 luminaire is 40 meters (130 feet).
- The maximum tested data cable length between an 05 Repeater and an amplified signal source (05 Driver outputs 1-6 or 05 Repeater outputs A-F) is 40 meters (130 feet).
- The maximum tested total data cable length between an 05 Repeater and an unamplified signal source (an 05 Driver via **Alien driver Channel link In/Out** connectors on 05 Repeaters) is 40 meters (130 feet).
- The ambient temperature does not exceed 40° C (104° F).
- The unit is protected from moisture.

Four 7 mm (1/3 in.) holes are provided on the 05 Repeater casing for fixed installation.

OUTPUT FAILURE LEDS

When illuminated, these LEDs - for outputs A to F - indicate that there has been a line failure on the associated Output connector. Power off the 05 Repeater, check that all the cables are connected properly, and power it on again.

If the problem persists, or if more than one of the Output Failure LEDs light simultaneously, then this may be due to:

- Too high a load on the line. Ensure that the distances between the fixtures do not exceed the recommended maximums and that there are not too many fixtures on the network.
- Failure of the **Alien driver Channel link In/Out** connector. There may be a failure with the connector or a cable connected to it. Disconnect power to the system and check all the connections and cables before applying power again.

If problems persist consult your Martin dealer for support.

SPECIFICATIONS - 05 REPEATER

Physical

Size (L X W x H) 203 x 98 x 43 mm (8 x 3.9 x 1.7 in.)
Weight 0.55 kg (1.2 lbs.)

Control

Remote interfaces: DMX-512, Martin Oracle both via an 05 Driver
Data input: CAT5 network cable (not supplied)
Data output: CAT5 network cable (not supplied)

Thermal

Maximum ambient temperature (Ta): 40° C (104° F)

AC Supply

Power supply: Auto-ranging - 90 - 250 V, 50/60 Hz

Construction

Housing: sheet aluminum
Finish: electrostatic powder coating
Color: black (RAL 9005)

Accessories

Alien 05 P/N 90340000
Oracle: P/N 90722000
05 Driver P/N 90722010
CAT5 network cables - 2 m (6.5 ft) x 50 pieces: P/N 91611044
CAT5 network cables - 5 m (16.4 ft) x 30 pieces: P/N 91611045
CAT5 network cables - 10 m (32.8 ft) x 15 pieces: P/N 91611045