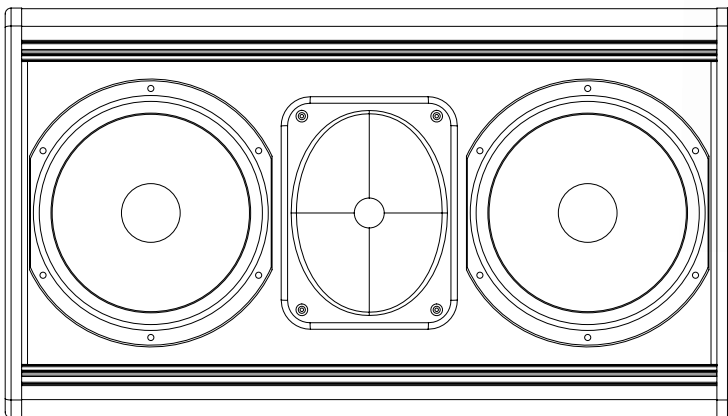
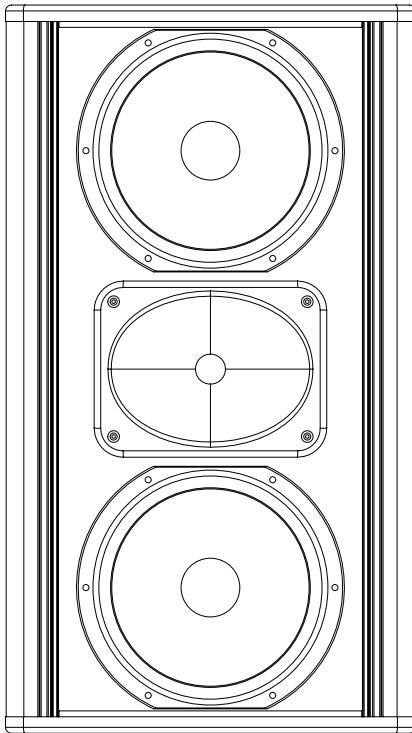


CN8

A unique, full range near-field speaker combining hi-fi properties with medium SPL's in a compact design. Featuring 18 flying points - four of which are fully adjustable - and a customized U-bracket included as standard with every speaker, the C-Range is an extremely versatile installation speaker series. The distinct new CN8 in the C-Range speaker series from MACH powerfully projects every nuance of pure sound in any environment you choose.



- Unique, full range near-field speaker combining hi-fi properties with medium SPL's in a compact design
- A 2-way speaker designed as a compact standalone cabinet with a highly controlled dispersion pattern
- Two 8" woofers with an extended frequency response and 1" compression driver with a constant coverage horn
- Designed specifically for applications in which clarity and speech intelligibility are needed.
- Ideal for small to medium sized venues (bars, cafés, etc.) or as in-fi II in seating areas. Can be used as a standalone solution or in combination with a subwoofer.

SPECIFICATIONS

- Power rating IEC268: 300 watt
- Power rating peak: 1200 watt
- Sensitivity 1w/1m: 95 dB
- Max SPL, calculated long term: 120 dB
- Max SPL, peak: 126 dB
- Frequency response +/-3dB: 65 Hz - 20 kHz
- Dispersion Angle: H 90deg x V 60deg
- Nominal impedance: 4 ohm
- Recommended amplifier: 400 watt into 4 ohm

WEIGHT & MEASUREMENTS:

- Dimensions (HxWxD): 62 x 34.9 x 33.8cm (24.4 x 13.7 x 13.3 inches)
- Net weight: 22kg (48,5 lb)
- Finish: Black or white SafeCoat coating with other colors optional
- Grille: 2 mm steel with foam backing
- Input connectors: 2 x Speakon® NL 4 and barrier strip terminals
- Rigging hardware: Included U-bracket.