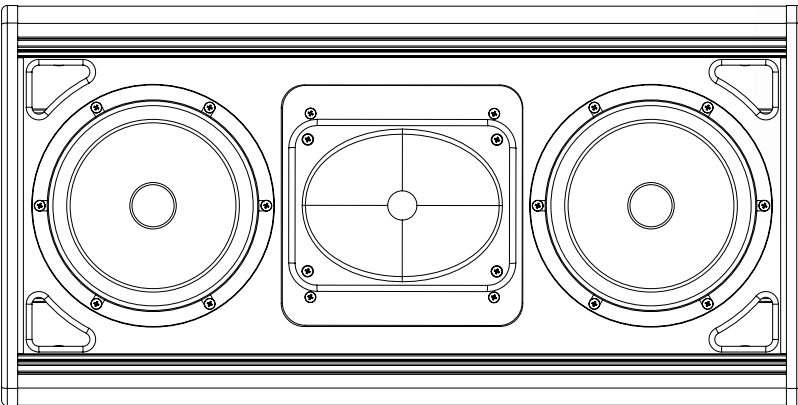
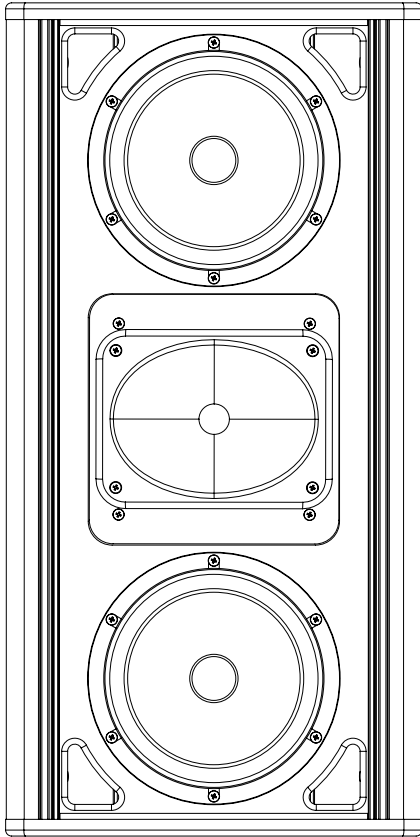


## CM9

A unique, full range near-field speaker combining hi-fi properties with medium SPL's in a compact design. Featuring 18 flying points - four of which are fully adjustable - and a customized U-bracket included as standard with every speaker, the C-Range is an extremely versatile installation speaker series. The distinct new CN8 in the C-Range speaker series from MACH powerfully projects every nuance of pure sound in any environment you choose.



- Unique medium-throw speaker with very high SPL's in an ultra-compact design with constant coverage
- A 2-way speaker designed as a compact top box with a controlled dispersion pattern
- Two 8" mid-woofer with very low power compression and high power handling
- The tweeter is a 1" compression driver with a 90° x 60° rotatable constant coverage horn
- Designed specifically for applications in which high SPL and clarity are required
- Ideal for small to medium-sized venues in combination with a subwoofer or as a delay speaker

### SPECIFICATIONS

- Power rating IEC268: 600 watt
- Power rating peak: 2400 watt
- Sensitivity 1w/1m: 99dB (avg.)
- Max SPL, calculated long term: 127dB
- Max SPL, peak: 133 dB
- Frequency range +/-3dB: 70 Hz - 20 kHz
- Dispersion angle avg. H 90 x V 60 deg
- Nominal impedance: 4 ohm
- Recommended amplifier: 800 watt in 4 ohm

### WEIGHT & MEASUREMENTS:

- Dimensions (HxWxD): 70 x 34.9 x 33.8 cm (27.6 x 13.7 x 13.3 inches)
- Net weight: 25kg (55 lb)
- Finish: Black or white SafeCoat coating with other colors optional
- Grille: 2 mm steel with foam backing
- Input connectors: 2 x Speakon® NL 4 and barrier strip terminals
- Rigging hardware: Included U-bracket.