

# MACH CW112F



## SPECIFICATIONS

Power rating IEC268:	150 watt per voice coil. Total system: 300W
Power rating peak:	600 watt. Total system: 1200W
Sensitivity 1w/1m:	95 dB
Max SPL, calc. long term:	117 dB
Max SPL, peak:	123 dB
Frequency range +/-3dB:	38-150 Hz
Nominal impedance:	8ohm per voice coil
Recommended amplifier:	For each side: one voice coil and one Ci8 = 390W in 4 ohm run through built-in crossover

### Weight & Measurements:

Dimensions (HxWxD):	220x665x475mm (8.6x26.2x18.7 inches)
Net weight:	20 kg (44 lbs)
Finish:	19mm MDF with black Safecoat coating
Grille:	2mm steel with foam backing
Input connectors:	Barrier strips input and output for satellite speakers
Flying system:	Eyebolts, mounting bracket
Rigging hardware:	Eyebolt part no. 93940002 Mounting bracket part no. 26020350

## KEY FEATURES

- Easy installation
- Built-in crossover for satellite speakers
- Optimized for use with Mach Ci series
- Compact size
- 10 Flying points

## DESCRIPTION

The CW 112F subwoofer combines easy installation and deep bass output due to the unique design. The CW112F has 10 integrated flying points allowing for multiple mounting options on a wall or against the ceiling. The subwoofer has a 12" double voice coil drive unit which allows a stereo signal to be applied to the terminals. The built-in crossover makes it a perfect solution in combination with the Ci speakers.

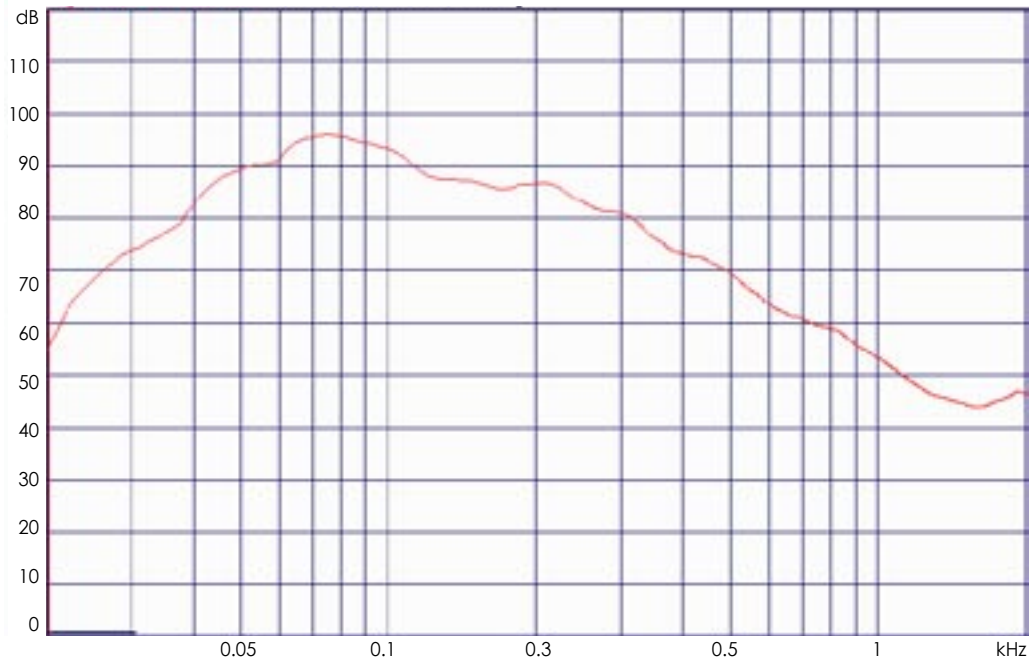
## ARCHITECTURAL SPECIFICATIONS

The loudspeaker system shall be the Mach CW112F with an IEC power handling of 150 watt per voice coil. The loudspeaker shall have a sensitivity of 95 dB and a maximum output of 123 dB. The loudspeaker system shall also have 12" double voice coil drive unit and a built-in crossover. The subwoofer shall be constructed of 19mm Medium Density Fiberboard with black Safecoat coating. It shall be 220mm(8.6in) high, 665 mm(26.2in) wide and 475mm (18.7in) deep with a weight of 20 kg (44 lbs).

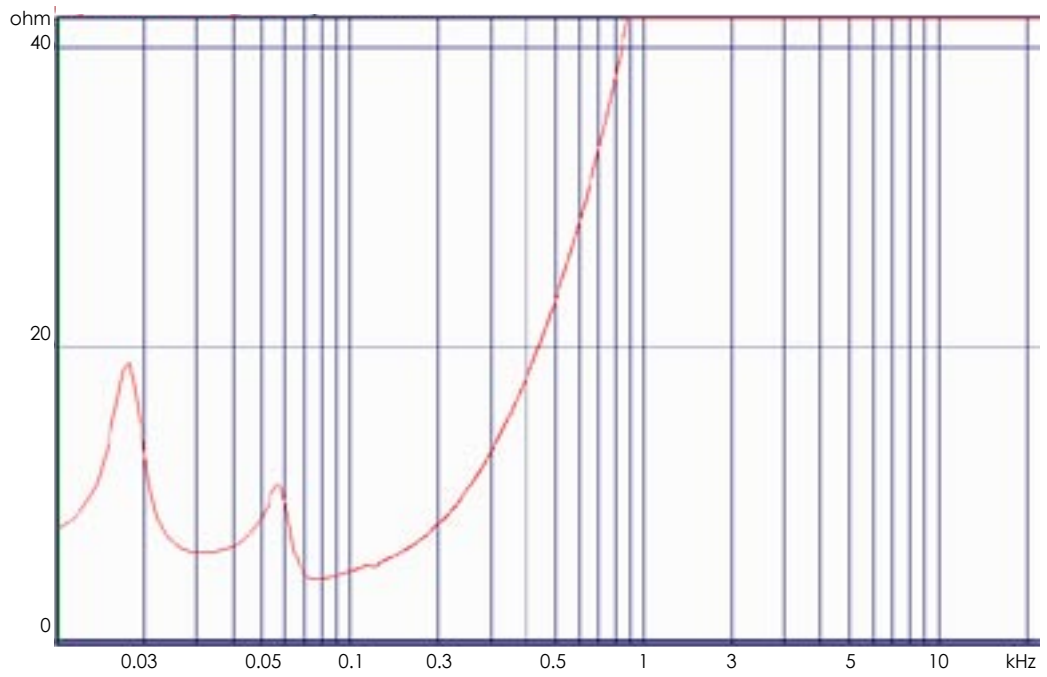
**NOTE:** Mach is continually working on research and production improvements, which can be introduced into existing products without notice. The products will always equal or exceed the original design specifications unless otherwise stated.

# MACH CW112F

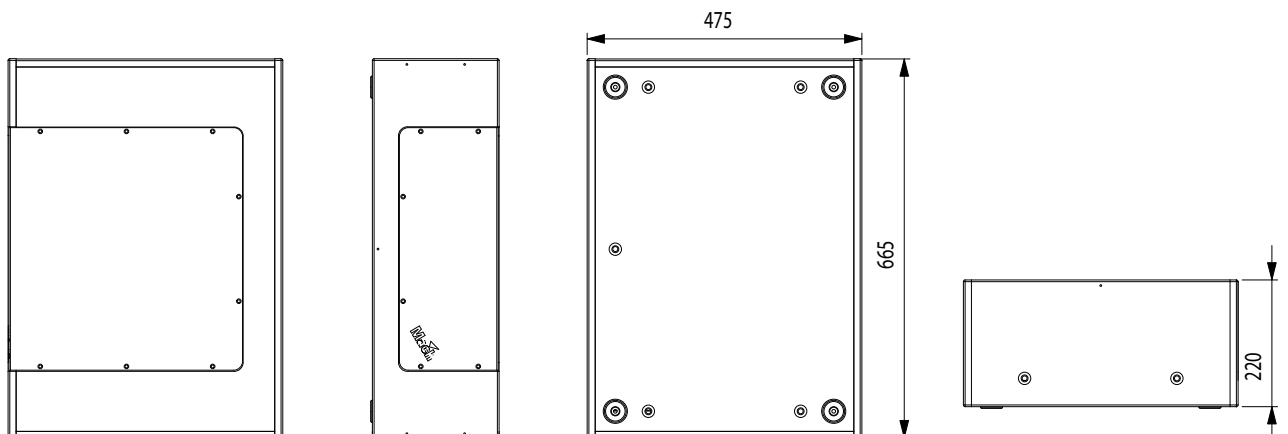
## Frequency Response



## Impedance Response

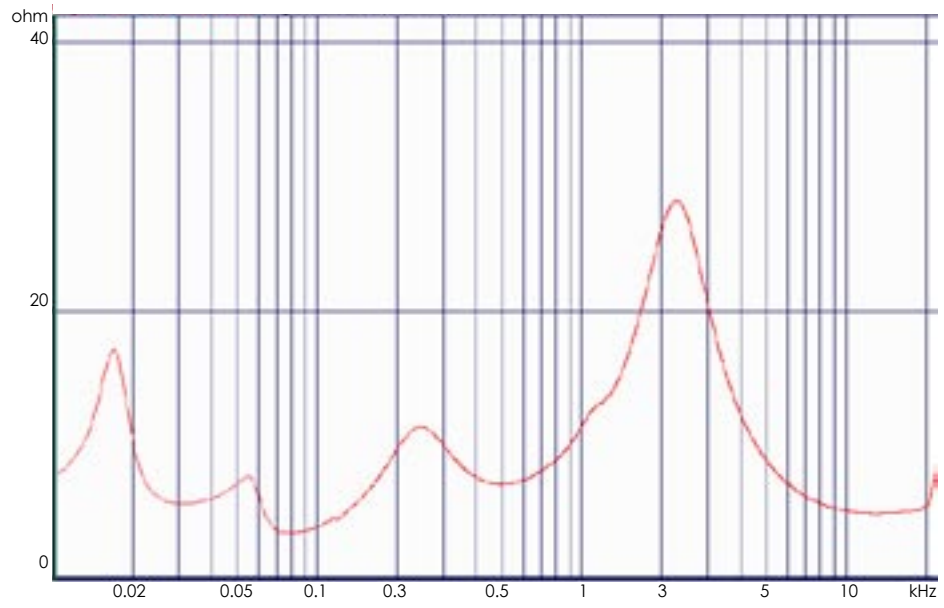


## Size and Shape

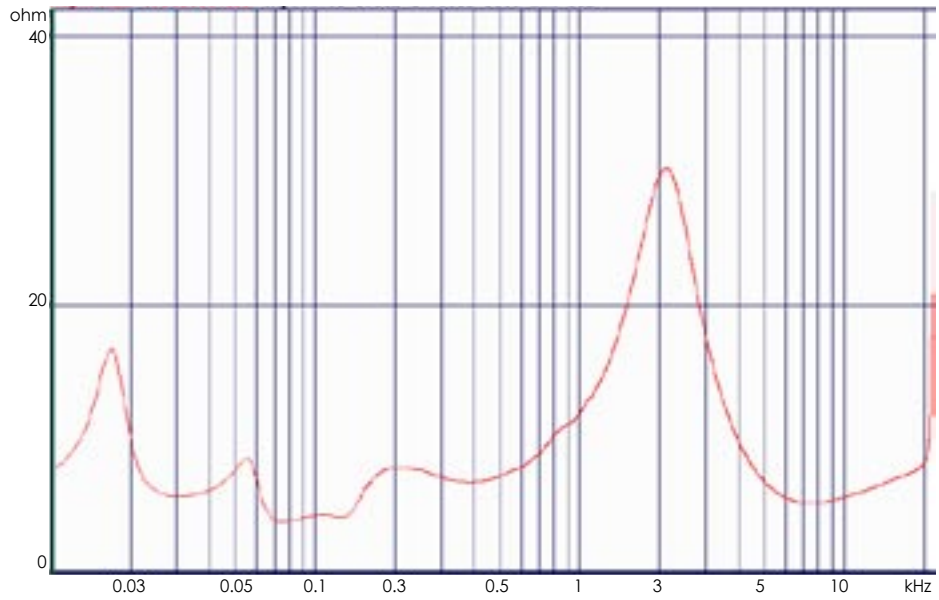


# MACH CW112F

Impedance Response with Ci4



Impedance Response with Ci6



Impedance Response with Ci8

