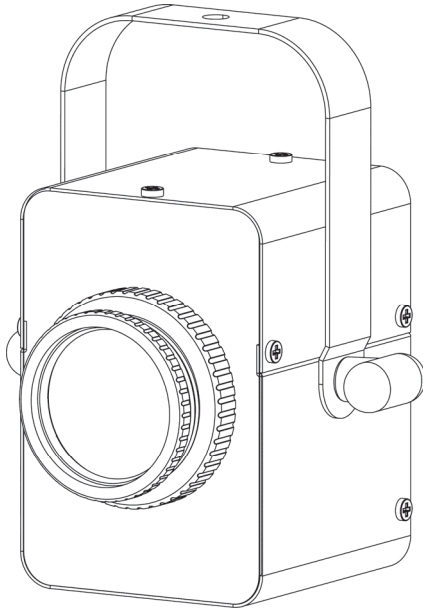


# Pin 1 CW



## User Manual



Professional Entertainment Technology

© 2013 Martin Professional A/S. Information subject to change without notice. Martin Professional A/S and all affiliated companies disclaim liability for any injury, damage, direct or indirect loss, consequential or economic loss or any other loss occasioned by the use of, inability to use or reliance on the information contained in this manual. The Martin logo, the RUSH by Martin logo, the RUSH by Martin name, the Martin name and all other trademarks in this document pertaining to services or products by Martin Professional A/S or its affiliates and subsidiaries are trademarks owned or licensed by Martin Professional A/S or its affiliates or subsidiaries.

Manual: Revision B

# Table of contents

Safety information .....	4
Introduction .....	7
Fixture overview .....	7
Before using the product for the first time .....	7
Physical installation .....	8
Fastening the fixture to a flat surface .....	8
Mounting the fixture on a truss .....	8
AC power .....	9
Maintenance .....	10
Cleaning .....	10
Service and repairs .....	11
Troubleshooting .....	11
Specifications .....	12

# Safety information



## WARNING!

Read the safety precautions in this manual before installing, powering, operating or servicing this product.

The following symbols are used to identify important safety information on the product and in this manual:



**Warning!**  
Safety hazard.  
Risk of severe injury or death.



**Warning!**  
LED light emission. Risk of eye injury.



**Warning!**  
Refer to manual before installing, powering or servicing.



**Warning!**  
Hazardous voltage. Risk of lethal or severe electric shock.



Avoid looking directly into the LED light source beam and do not view the light output with optical instruments or any device that may concentrate the beam.

This product is for professional use only. It is not for household use. It presents risks of severe injury or death due to fire hazards, electric shock and falls.



Read this manual before installing, powering or servicing the fixture, follow the safety precautions listed below and observe all warnings in this manual and printed on the fixture. Keep this manual for future use. If you have questions about how to operate the fixture safely, please contact your RUSH by Martin™ dealer or call the Martin™ 24-hour service hotline on +45 8740 0000, or in the USA on 1-888-tech-180.



### Protection from electric shock

Disconnect the fixture from AC power before carrying out any installation or maintenance work and when not in use.

Ground (earth) the fixture electrically.

Use only a source of AC power that complies with local building and electrical codes and has both overload and ground-fault (earth-fault) protection.

Before using the fixture, check that all power distribution equipment and cables are in perfect condition and rated for the current requirements of all connected devices.

Isolate the fixture from power immediately if the power plug or any seal, cover, cable, or other component is damaged, defective, deformed, wet or showing signs of overheating. Do not reapply power until repairs have been completed

Do not expose the fixture to rain or moisture.



### **Protection from burns and fire**

Do not operate the fixture if the ambient temperature ( $T_a$ ) exceeds 40° C (104° F).

The surface of the product casing can get hot—up to 60° C (140° F)—during operation. Avoid contact by persons and materials. Keep flammable materials well away from the fixture.

Ensure that there is free and unobstructed airflow around the fixture. Provide a minimum clearance of 100 mm (4 in.).

Do not illuminate surfaces within 200 mm (7.9 ins.) of the fixture.

Do not attempt to bypass thermostatic switches or fuses.

Do not stick filters, masks or other materials onto any optical component.



### **Protection from eye injury**

Do not look continuously at LEDs from a distance of less than 8.3 meters (27 ft. 3 inches) from the front surface of the fixture without protective eyewear such as shade 4-5 welding goggles. At less than this distance, the LED emission can cause eye injury or irritation. At distances of 8.3 meters (27 ft. 3 inches) and above, light output is harmless to the naked eye provided that the eye's natural aversion response is not overcome.

Do not look at LEDs with magnifiers, telescopes, binoculars or similar optical instruments that may concentrate the light output.

To minimize the risk of eye irritation or injury, disconnect the fixture from power at all times when the fixture is not in use, and provide well-lit conditions to reduce the pupil diameter of anyone working on or near the fixture.



Fasten the fixture securely to a fixed surface or structure when in use. The fixture is not portable when installed.

Ensure that any supporting structure and/or hardware used can hold at least 10 times the weight of all the devices they support.

If suspending from a rigging structure, fasten the fixture to a rigging clamp. Do not use safety cables as the primary means of support.

If the fixture is installed in a location where it may cause injury or damage if it falls, install a secondary attachment such as a safety cable that is approved by an official body such as TÜV as a safety attachment for the weight that it secures. The safety cable must comply with EN 60598-2-17 Section 17.6.6 and be capable of bearing a static suspended load that is ten times the weight of the fixture and all installed accessories.

Check that all external covers and rigging hardware are securely fastened.

Block access below the work area and work from a stable platform whenever installing, servicing or moving the fixture.

Do not operate the fixture with missing or damaged covers, shields or any optical component.

In the event of an operating problem, stop using the fixture immediately and disconnect it from power. Never attempt to use a fixture that is obviously damaged.

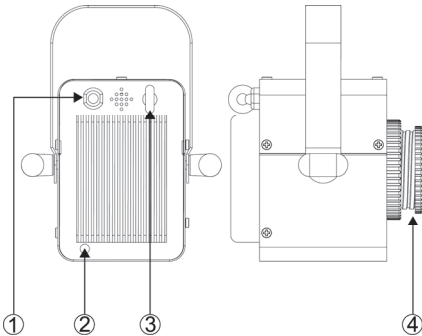
Do not modify the fixture or install other than genuine RUSH by Martin™ parts.

Refer any service operation not described in this manual to a qualified technician.

# Introduction

The Pin 1 CW is a small, powerful pinspot incorporating a single 10 W long-life LED. It provides two focusable beam angles—7° and 11°—and is ideal for projecting onto mirror balls or other applications for mobile DJ's or small fixed installations.

## Fixture overview



1. Power inlet
2. Heat sink (do not cover)
3. Safety cable attachment point
4. Focus ring

## Before using the product for the first time

1. Read Safety information on page 4 before installing, powering, operating or servicing the fixture.
2. Unpack and ensure that there is no transportation damage before using the fixture. Never attempt to operate a damaged fixture.
3. Install a local power plug (not supplied) on the power cable.
4. Before operating, ensure that the voltage and frequency of the power supply match the power requirements of the fixture.
5. Check the Martin Professional website at [www.martin.com](http://www.martin.com) for the most recent user documentation and technical information about the fixture. RUSH by Martin™ user manual revisions are identified by the revision letter at the bottom of the inside cover.

# Physical installation

The fixture is designed for indoor use only and must be used in a dry location with adequate ventilation. Always ensure that the fixture's heat sink is not covered and always ensure that the product is firmly affixed.

The fixture should be mounted via its screw holes on the bracket.

## Fastening the fixture to a flat surface

The fixture can be fastened to a hard fixed flat surface that is oriented at any angle. Ensure that the surface can support at least 10 times the weight of all fixtures and equipment to be installed on it.

Fasten the fixture securely. Do not stand it on a surface or leave it where it can be moved or fall over. Attach a securely anchored safety cable to the fixture if it is installed in any location where it may fall and cause injury or damage if the primary attachment fails.

## Mounting the fixture on a truss

The fixture can be clamped to a truss or similar rigging structure in any orientation. When clamping a fixture to a truss:

1. Check that the rigging structure can support at least 10 times the weight of all fixtures and equipment to be installed on it.
2. Block access under the work area.
3. Rig the fixture using clamps and hardware suitable for the purpose. Working from a stable platform, hang the fixture on the truss. Tighten the rigging clamps and hardware.
4. Secure the fixture against clamp failure with a secondary attachment such as an approved safety cable that is rated for the weight of the fixture.



## AC power



Read Safety information on page 4 before connecting the fixture to AC mains power.



For protection from electric shock, the fixture must be grounded (earthed). The power distribution circuit must be equipped with a fuse or circuit breaker and ground-fault (earth-fault) protection.

Socket outlets or external power switches used to supply the fixture with power must be located near the fixture and easily accessible so that the fixtures can easily be disconnected from power.

Do not insert or remove live connectors to apply or cut power, as this may cause arcing at the terminals that will damage the connectors.

Do not use an external dimming system to supply power to the fixture, as this may cause damage to the fixture that is not covered by the product warranty.

The fixture can be hard-wired to a building electrical installation if you want to install it permanently, or a power plug (not supplied) that is suitable for the local power outlets can be installed on the power cable.

The fixture has an auto-ranging power supply that accepts AC mains power at 100 – 240 V, 50/60 Hz. Do not apply AC mains power that is not within this range.

# Maintenance



Read Safety information on page 4 before servicing the fixture.

Refer any service operation not described in this user manual to a qualified service technician.

Disconnect mains power before cleaning or servicing the fixture.

Fixtures must be serviced in an area where there is no risk of personal injury from falling parts, tools or other materials.

Excessive dust, smoke fluid, and particle buildup degrades performance, can cause overheating and can damage the fixture. Damage caused by inadequate cleaning or maintenance is not covered by the product warranty.

## Cleaning

The cleaning of external optical lenses must be carried out periodically to optimize light output. Cleaning schedules for lighting fixtures vary greatly depending on the operating environment. It is therefore impossible to specify precise cleaning intervals for the fixture. Environmental factors that may result in a need for frequent cleaning include:

- Use of smoke or fog machines.
- High airflow rates (near air conditioning vents, for example).
- Presence of cigarette smoke.
- Airborne dust (from stage effects, building structures and fittings or the natural environment at outdoor events, for example).

If one or more of these factors is present, inspect fixtures within their first 100 hours of operation to see whether cleaning is necessary. Check again at frequent intervals. This procedure will allow you to assess cleaning requirements in your particular situation. If in doubt, consult your RUSH by Martin™ dealer about a suitable maintenance schedule.

Use gentle pressure only when cleaning, and work in a clean, well-lit area. Do not use any product that contains solvents or abrasives, as these can cause surface damage.

To clean the fixture:

1. Disconnect the fixture from power and allow it to cool for at least 10 minutes.
2. Vacuum or gently blow away dust and loose particles from the outside of the fixture and the air vents at the back and sides of the head and in the base with low-pressure compressed air.
3. Clean the LED lenses by wiping gently with a soft, clean lint-free cloth moistened with a weak detergent solution. Do not rub the surface hard: lift particles off with a soft repeated press. Dry with a soft, clean, lint-free cloth or low-pressure compressed air. Remove stuck particles with an unscented tissue or cotton swab moistened with glass cleaner or distilled water.
4. Check that the fixture is dry before reapplying power.

### Service and repairs

There are no user serviceable parts inside the fixture. Do not open the housing.

Never try to repair the fixture by yourself as this may result in damage or malfunction and it may void your product warranty. The equipment must only be serviced or repaired by an authorized RUSH by Martin™ service technician.

Installation, on-site service and maintenance can be provided worldwide by the Martin Professional Global Service organization and its approved agents, giving owners access to Martin's expertise and product knowledge in a partnership that will ensure the highest level of performance throughout the product's lifetime. Please contact your RUSH by Martin™ supplier for details.

## Troubleshooting

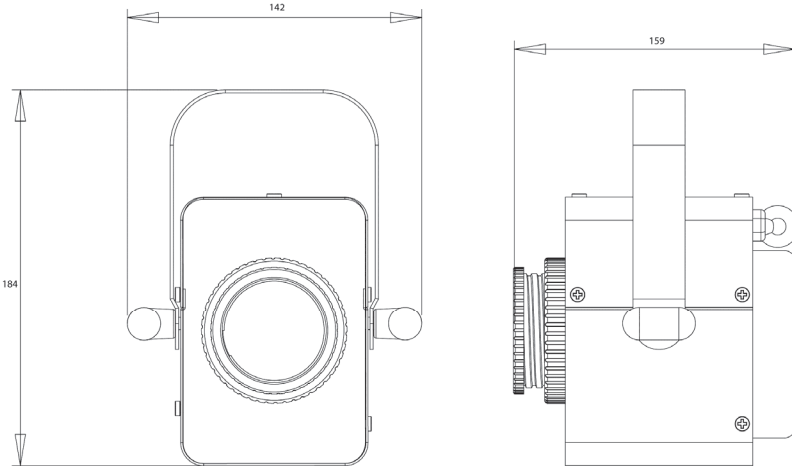
This section describes a few common problems that may occur during operation and provides some suggestions for easy troubleshooting:

Symptom	Potential cause	Remedies
No light from fixture.	Power supply issue, such as blown fuse, faulty connector or damaged cable.	Ensure that the mains supply is connected and supplying power to the fixture.  Check all power connections and cables.

# Specifications

## Physical

Weight ..... 1.1 kg (2.4 lbs.)  
Dimensions (W x H x D)..... 142 x 184 x 159 mm (5.6 x 7.2 x 6.3 in.)



## Optics

Light source ..... 10 W Cree multi-chip cool white LED  
Beam angle ..... 7° or 11°  
Minimum LED lifetime ..... 50 000 hours (to >70% luminous output)\*  
*\*Figure obtained under manufacturer's test conditions*

## Construction

Housing ..... Steel  
Color ..... Black  
Protection rating ..... IP 20

## Installation

Mounting ..... Adjustable bracket, surface or truss mount  
Orientation ..... Any  
Location ..... For indoor use only

## Connections

AC power input ..... 1.5 m (4.9 ft.) cable tail w/o power plug

## Electrical

AC power ..... 100 - 240 V, 50/60 Hz nominal  
Typical total power consumption\* ..... 10 W

## Typical power and current

110 V, 60 Hz ..... 0.15 A, 10 W  
230 V, 50 Hz ..... 0.1 A, 10 W  
Measurements made at nominal voltage at full intensity. Allow for a deviation of +/- 10%.



## Thermal

Cooling ..... Convection  
Maximum ambient temperature ( $T_a$  max.) ..... 40° C (104° F)  
Minimum ambient temperature ( $T_a$  min) ..... 0° C (32° F)

## Included Items

Mounting bracket

*Specifications are subject to change without notice. For latest product specifications, see [www.martin.com](http://www.martin.com)*

 	<h3>Disposing of this product</h3> <p>RUSH by Martin™ products are supplied in compliance with Directive 2012/19/EC of the European Parliament and of the Council of the European Union on WEEE (Waste Electrical and Electronic Equipment), where applicable. Help preserve the environment! Ensure that this product is recycled at the end of its life. Your supplier can give details of local arrangements for the disposal of RUSH by Martin™ products</p>
--	--







Innovation • Quality • Performance