

# Martin Exterior 50 IP68™ Martin Exterior 100 IP68™ System

User Manual

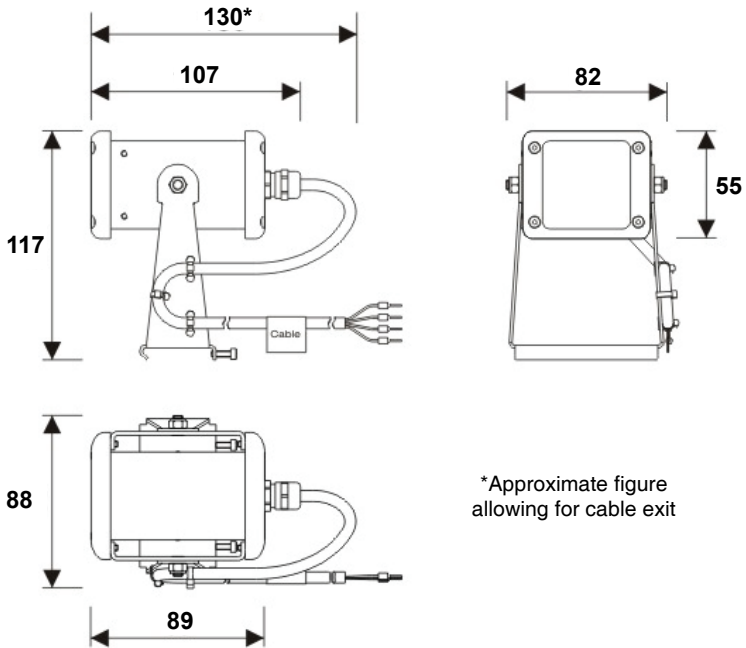


  
**Martin**®

# Dimensions

All dimensions are in millimeters

## Exterior 50 IP68 Luminaire



\*Approximate figure  
allowing for cable exit

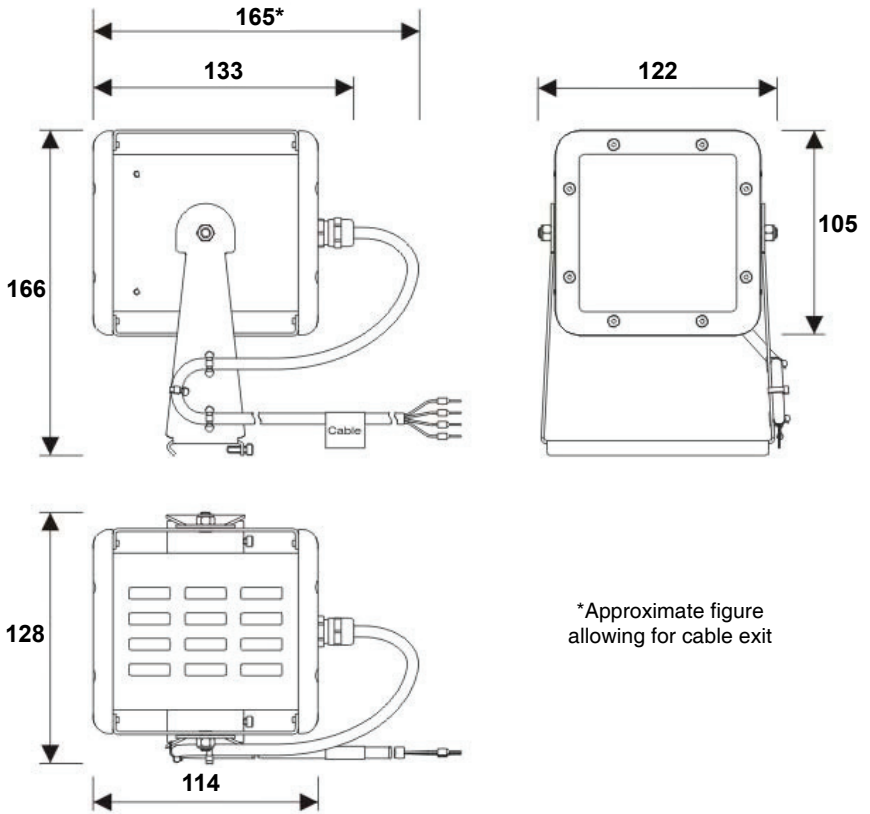
---

© 2012 Martin Professional A/S. Information subject to change without notice. Martin Professional A/S and all affiliated companies disclaim liability for any injury, damage, direct or indirect loss, consequential or economic loss or any other loss occasioned by the use of, inability to use or reliance on the information contained in this document. The Martin logo, the Martin name and all other trademarks in this document pertaining to services or products by Martin Professional A/S or its affiliates and subsidiaries are trademarks owned or licensed by Martin Professional A/S or its affiliates or subsidiaries.

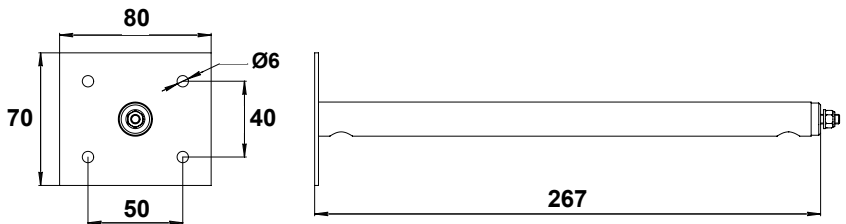
P/N 35000255, Rev. A

---

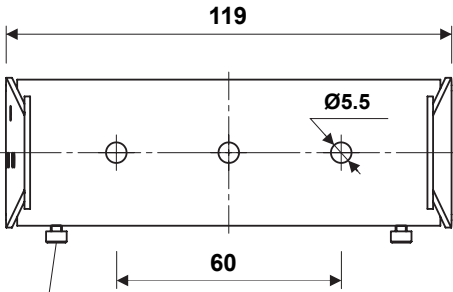
## Exterior 100 IP68 Luminaire



## Standard mounting post

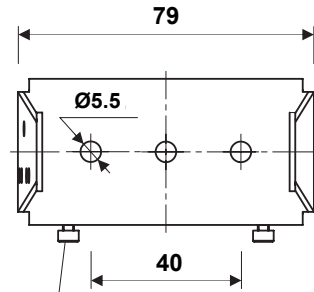


## Exterior 50 and 100 Mounting bracket bases



M3 screw for mounting on DIN rail

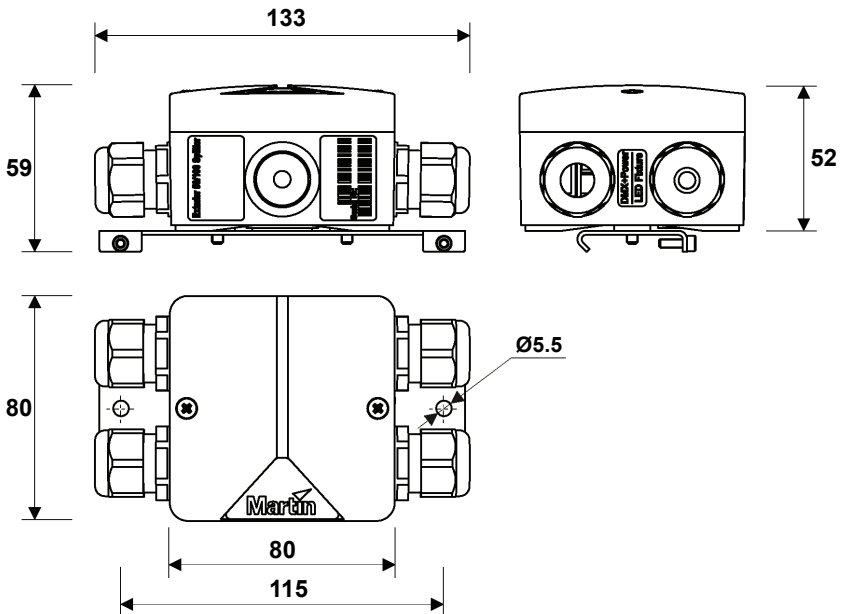
**Exterior 100 Mounting bracket**



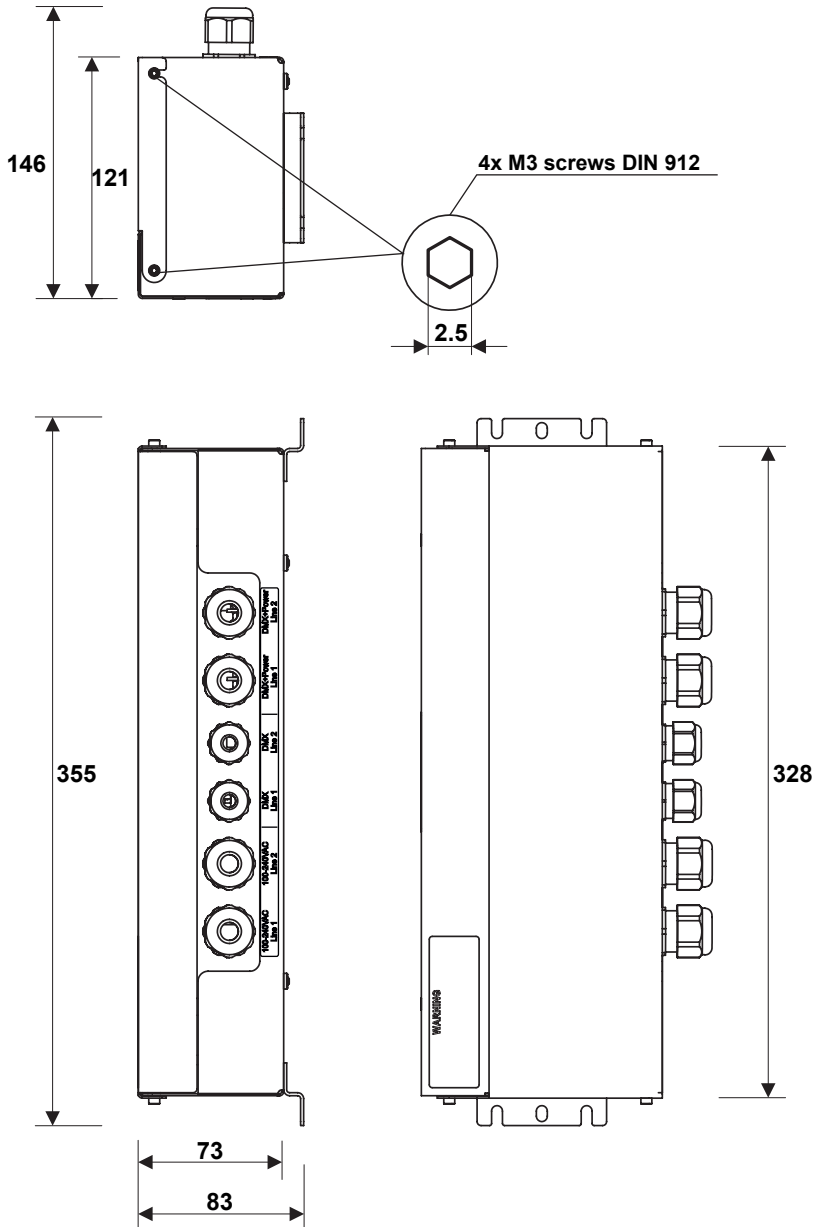
M3 screw for mounting on DIN rail

**Exterior 50 Mounting bracket**

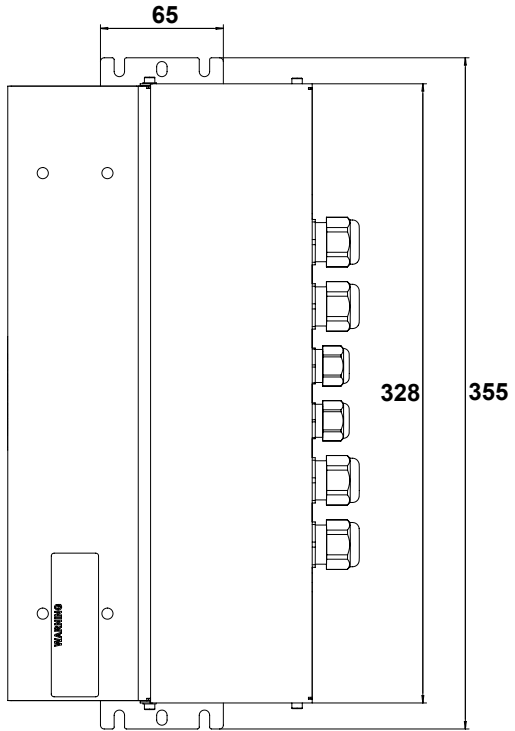
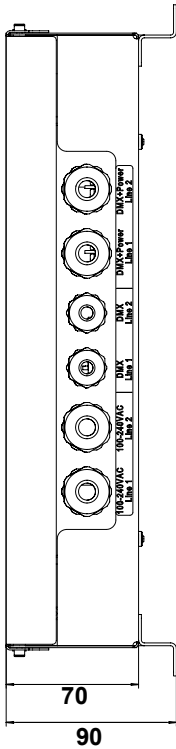
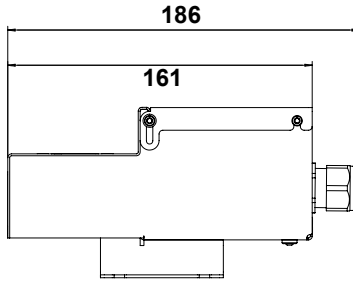
## Exterior 50 and 100 Splitter



## Exterior 50 and 100 PSU (EU model, 50/60 Hz)



# Exterior 50 and 100 PSU (US model, 60 Hz)



# Contents

<b>Dimensions</b>	2
<b>Safety information</b>	8
<b>Introduction</b>	12
Unpacking	12
<b>General information</b>	13
Components in the system	13
System power: general	13
System control: general	14
System layout: general	15
Installation and connections: general	22
<b>Installing Power Supply Units</b>	27
Physically installing a PSU	27
Connecting a PSU	29
<b>Installing Splitters</b>	42
Physically installing a Splitter	42
Connecting a Splitter	44
<b>Installing Luminaires</b>	49
Physically installing Luminaires	49
Connecting Luminaires	54
Installing light shields	59
<b>Checking and monitoring the installation</b>	60
System status indicators in a PSU	60
System status indicators in a Splitter	61
<b>Setup</b>	62
Setting up for DMX control	62
Setting up using the remote control	64
Setting up via RDM using Martin M-PC™	67
<b>Operation</b>	70
Ambient temperatures	70
DMX control	70
Using Martin M-PC™ for DMX control	71
<b>DMX protocols</b>	73
RGBW Luminaires	73
White (CW, NW and WW) Luminaires	73
<b>Service</b>	74
Cleaning	74
Software installation	74
<b>Troubleshooting</b>	76
<b>Specifications</b>	77

# Safety information

The following symbols are used to identify important safety information in this guide:



**Danger! Risk of personal injury.**



**Danger! Risk of electric shock.**



**Danger! Risk of fire.**



**Warning! LED light emission. Do not concentrate the light beam.**



**Warning! Refer to user documentation before installing, powering or servicing.**



**Warning! The Martin™ Exterior 50 & 100 system is not for household use.**



**Warning! Read this guide before operating the system, follow the safety precautions listed in this section of the guide, and observe all warnings in this guide and printed on devices. Install and operate the system only as described in this guide and in accordance with local laws and regulations. Refer any operation not described in this guide to a qualified technician.**



**Warning! There are no user-serviceable parts inside Exterior 50 & 100 Luminaires. Refer all service to Martin™ or its authorized service agents.**

**Warning! Risk Group 3 (high risk) LED product according to EN 62471. Do not view the light output with optical instruments or any device that may concentrate the beam.**

If you have questions about how to operate the system safely, please contact your Martin supplier or call the Martin 24-hour service hotline on +45 8740 0000, or in the USA on 1-888-tech-180.



## PROTECTION FROM ELECTRIC SHOCK

- Isolate the entire system from AC mains power and make sure that power cannot be applied during work on the system.
- Use only a single-phase, three-wire AC mains power source that complies with local building and electrical codes, that has both overload and ground-fault (earth-fault) protection, and that is within the voltage and frequency range specified on the serial number label on the PSU.



- Ensure that the system is electrically connected to ground (earth) as described in this guide.
- Either power outlet sockets or hard-wired circuits that incorporate power on/off switches must be used to supply the system with power. Power plugs and/or power on/off switches must be easily accessible so that the system can be isolated from power quickly.
- Provide a means of locking out power (ensure that power can be shut down and is impossible to reapply, even accidentally) during service.
- Connect the PSU to AC mains power and relay power from one PSU to another using only 3-conductor neoprene- or hypalon-jacket cable that is heat resistant to minimum 90° C (194° F), rated minimum 16 amps, approved for the installation environment (UV, temperature, outdoor use, etc.) and has an external diameter of 6 - 12 mm (0.24 - 0.47 inch). In North America the power cable must be type SJO or type SOOW, minimum 16/3 AWG and rated minimum 300 VAC. In the EU the cable must be minimum 2.5 mm<sup>2</sup> conductor size and HAR approved or equivalent.
- Use only hybrid (combined power and data) luminaire cables installed in Luminaires by Martin™ or its authorized agents to connect Luminaires. If the 3 m (9.8 ft.) luminaire cable supplied pre-installed is too short, extend it only with the extension cable kit available from Martin™.
- Use only the hybrid (combined power and data) Splitter cables supplied by Martin for the products concerned to connect a PSU to Splitters and to connect Splitters to each other.
- Do not connect the system to power unless all cable glands are sealed by either a cable or a blanking plug installed as described in this guide.
- Before using the system, check that all power distribution equipment and cables are in perfect condition, rated for the current requirements of all connected devices, protected to IP68 or higher and of suitable type for the location (including water, pollution, temperature and UV resistance).
- Protect all external connections inside suitable waterproof junction boxes or as required by local laws, regulations or codes. Ensure that the ends of cables cannot come into contact with water or moisture, as the vacuum created in devices during cooldowns can suck moisture up cable.
- Isolate the system from power immediately if any device, cable, cable gland or power plug is in any way damaged or defective, or if there are any signs of overheating. Do not reapply power until the fault has been rectified.
- Do not operate the system if any cover or component is missing, damaged or deformed.
- Shut down power to the system when it is not in use.

- Refer any service operation not described in this guide to an authorized Martin Service partner.



## SYSTEM SAFETY LIMITS



- Do not connect any chain of devices (PSUs, Splitters and Luminaires) that will draw a total combined current of more than 16 amps to AC mains power. Each time you reach the limit of 16 amps, provide a new source of AC mains power from a mains power distribution circuit and create a new chain of devices that is connected to mains power via its own PSU.
- Do not connect any chain of devices that contains more than fifteen Exterior 50 or five Exterior 100 Luminaires (or any combination within these limits where three Exterior 50 Luminaires is equivalent to one Exterior 100 Luminaire) to any single output from a PSU.
- Do not connect chains of devices that contain a combined total of more than thirty Exterior 50 or ten Exterior 100 Luminaires (or any combination within these limits where three Exterior 50 Luminaires is equivalent to one Exterior 100 Luminaire) to one PSU.
- Do not allow any chain of devices linked by hybrid Splitter cable to exceed a maximum total length of 50 m (164 ft.) from the PSU to the last Splitter in the chain.
- Do not allow any luminaire cable to exceed a maximum length of 13 m (42.6 ft.) from a Splitter (or a PSU) to a Luminaire.



## PROTECTION FROM BURNS AND FIRE

- Provide a minimum clearance of 10 cm (4 in.) from the front surface of luminaires to combustible materials.
- Do not operate the US model PSU in an ambient temperature ( $T_a$ ) that exceeds 40° C (104° F). Do not operate other devices in the system in an ambient temperature ( $T_a$ ) that exceeds 45° C (113° F).
- Do not modify devices in any way not described in this guide or install other than genuine Martin parts. Do not stick filters, masks or other materials directly onto Luminaires. Use only Martin approved accessories to mask or modify the light beam.
- Do not attempt to bypass thermostatic switches or fuses. Replace defective fuses with ones of the specified type and rating only.



## **PROTECTION FROM INJURY**

- Do not view the light output with optical instruments or any device that may concentrate the beam.
- When installing devices overhead, ensure that the supporting structure and all hardware used can hold the weight of all the devices they support plus an adequate safety margin.
- Block access below the work area and work from a stable platform whenever installing or removing an overhead device.



# Introduction

Thank you for selecting the Martin Professional™ Exterior 50 & 100 IP68™ range, an LED lighting system that features controllable RGBW color-changing and is suitable for use in harsh environments. Different mounting options provide flexibility in installation of the Luminaires.

This Installation and Safety Guide gives important information for owners, installers and service technicians. A User Guide containing details of controlling and operating the Exterior 50 & 100 system is available for download free of charge from the Product Support area at [www.martin.com](http://www.martin.com). If you have any difficulty finding or downloading the User Guide, please contact your Martin™ supplier, who will be happy to help.

For the latest documentation and information about the Exterior 50 & 100 system and all Martin Professional products, please visit the Martin website at [www.martin.com](http://www.martin.com)

Comments or suggestions regarding this document may be e-mailed to [service@martin.dk](mailto:service@martin.dk) or posted to: Technical Documentation, Martin Professional A/S, Olof Palmes Allé 18, DK-8200 Aarhus N, Denmark.

## Unpacking

The following items are included with products in the Exterior 50 & 100 range:

- All devices are supplied with IP68 cable glands.
- Luminaires are supplied with 3 m (9.8 ft.) hybrid power and data luminaire cables pre-installed (luminaire cables can be extended using a kit available from Martin™: see "Accessories" on page 79).
- The Exterior 50 & 100 Splitter is supplied with a blanking plug for sealing an unused luminaire cable gland and a blanking plug for sealing an unused Splitter hybrid cable gland.
- The Exterior 50 & 100 PSU is supplied with a blanking plug for sealing an unused control data cable gland, two blanking plugs for sealing unused AC mains power or hybrid cable glands, and this Installation and Safety Guide.
- Enough DMX terminators to allow termination at the ends of all DMX chains when installing the Exterior 50 & 100 system are supplied with Splitters and PSUs.

# General information

Before you start installing the Exterior 50 & 100 system:

- Read the "Safety information" section starting on page 8 carefully.
- Read this "General information" section carefully to familiarize yourself with system layout principles and installation procedure.
- Check that you have all the components you will need, including hybrid cable for Splitters and PSUs that can be ordered from Martin™.
- Check that the local AC mains power voltage is within the range shown on the PSU's serial number label.
- Make sure that you have a plan of the installation.

## Components in the system

The Exterior 50 & 100 system includes four types of device:

- The Exterior 50™, an IP68-rated LED washlight Luminaire.
- The Exterior 100™, an IP68-rated LED washlight Luminaire.
- The Exterior 50 & 100 PSU, a Power Supply Unit in an IPX7-rated housing that supplies the Exterior 50 & 100 system with 30 VDC power. The PSU also relays DMX and RDM (Remote Device Management) data from a controller console or PC running controller software to the system.
- The Exterior 50 & 100 Splitter, a power/data splitter device housed in an IP65-rated junction box. The junction box can be waterproofed to IP68 by applying a sealing compound available from Martin™. Splitters relay 30 VDC power as well as DMX and RDM data to Luminaires and other Splitters.

All luminaires are available in RGBW, CW (cool white), NW (neutral white) and WW (warm white) options. The Exterior 100 is available in narrow and medium-angle options.

Hybrid (power and data) cable from Martin™ must be used to connect PSUs and Splitters. Hybrid cable is ordered separately.

A range of accessories for the system is available from Martin™ (see "Accessories" on page 79).

## System power: general

The system is powered by connecting the Exterior 50 & 100 PSU to AC mains power.

# System control: general

The Exterior 50 & 100 system can be:

- controlled using a DMX control device or PC application,
- set up and controlled using a PC running the Martin M-PC™ RDM-compliant Windows application via a Martin USB Duo™ USB/DMX interface box, or
- set up and programmed to display a single default scene using the infrared remote control unit available as an accessory from Martin™.

## Data link

The DMX (and RDM if used) data signal from a DMX controller or PC must be sent to the PSU via a data link that conforms to DMX512-A specifications.

- Use DMX cable for the data link (microphone cable does not have the correct impedance).
- You must normally create the data link from the control device to the PSU as one single daisy chain (i.e. you must not split the data link into a 'Y'), but you *can* split the DMX data link into up to five branches if you use an amplifier/splitter such as the optically isolated Martin DMX 5.3 Splitter (P/N 90758140) or Martin RDM 5.5 Splitter (P/N 90758150) installed in a dry location.
- You must connect only one PSU directly to the **DMX OUT** data throughput in a PSU (but you can connect one daisy chain of PSUs in which each PSU is connected to the previous PSU's **DMX OUT** data throughput).
- You must connect only one Splitter or one Luminaire directly to one **OUTPUT** hybrid output in a PSU (but you can connect one daisy chain of Splitters and Luminaires).
- Do not connect more than one Splitter (or one Luminaire) to the three-way data output quick-lock terminal block marked **GND**, **DMX-**, **DMX+** and two-way 30 VDC output screw terminals marked **+U** and **-U** in a Splitter.
- Do not connect more than one Luminaire to the four-way hybrid output quick-lock terminal block marked **DMX-**, **DMX+**, **+U**, **-U** from a Splitter.

Two simple rules are:

- You can split the data link *before* a PSU using an amplifier/splitter device, as stated above, but do not split the hybrid power and data cable link *after* the PSU into a 'Y'.
- Do not connect more than one device or more than one daisy chain to one output from another device, because this will split the link into a 'Y'.

In the Exterior 50 & 100 system, the data signal can be relayed from the PSU to either:

- two Luminaires directly via their hybrid (power and data) luminaire cables (see Figure 2 on page 18)
- a chain of Exterior 50 & 100 Splitters via hybrid Splitter cables and then sent to Luminaires via their luminaire cables (see Figure 3 on page 19)
- other PSUs by continuing the DMX link using DMX cable (see Figure 4 on page 21).

Exterior 50 & 100 PSUs and Splitters do not amplify or process the data signal when they relay it.

If you are in any doubt about how to install, set up or use DMX with the Exterior 50 & 100 system, your Martin supplier will be happy to provide guidance.

### **Data link DMX termination**

Each time you end a data link to a PSU, a single Splitter or a daisy-chain of Splitters (i.e. you do not continue that link to another PSU or Splitter), you must terminate the data link by connecting a DMX line terminator across the data +ve (hot) and -ve (cold) conductors in the last PSU or Splitter on the link to absorb reflections that can disturb the data signal.

Enough DMX terminators for all possible configurations are supplied with PSUs and Splitters.

## **System layout: general**

The following diagrams and information will help you to understand the system layout limits and possible options. Larger versions of the system layout diagrams are also available for download from the Product Support pages for the Exterior 50 & 100 on the Martin website at <http://www.martin.com>.

## System layout limits



**Warning!** You may interconnect PSUs, Splitters and Luminaires as described in this section, but the total current draw of any group of interconnected devices must not exceed 16 amps. Each time you reach the 16 amp limit, you must create a new group of interconnected devices with their own connection to AC mains power.

**Warning!** Respect the following maximum limits when connecting Luminaires and Splitters to ANY ONE OUTPUT from an Exterior 50 & 100 PSU:

- Maximum FIVE Exterior 100 Luminaires per output, or
- Maximum FIFTEEN Exterior 50 Luminaires per output, or
- Any combination of Exterior 50 and Exterior 100 Luminaires within these limits where three Exterior 50 Luminaires are equivalent to one Exterior 100 Luminaire.

**Warning!** Respect the following maximum limits when connecting Luminaires and Splitters to ALL THE OUTPUTS from an Exterior 50 & 100 PSU:

- Maximum TEN Exterior 100 Luminaires in total, or
- Maximum THIRTY Exterior 50 Luminaires in total, or
- Any combination of Exterior 50 and Exterior 100 Luminaires within these limits where three Exterior 50 Luminaires are equivalent to one Exterior 100 Luminaire.

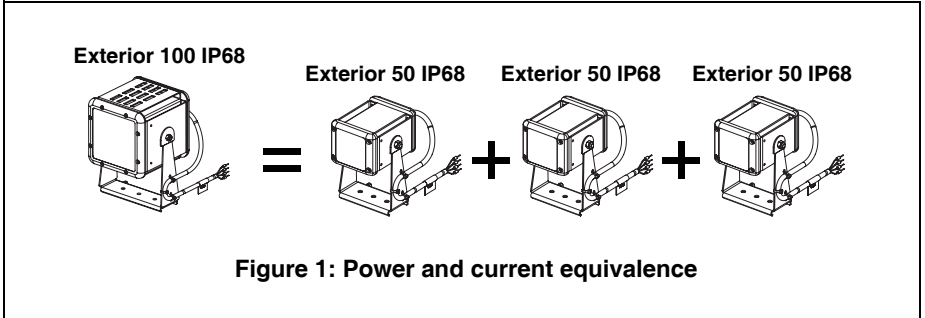


**Warning!** Any one run of hybrid cables that connects a PSU to a Splitter or chain of Splitters must not exceed a maximum total length of 50 m (164 ft.) from the PSU to the last Splitter in the chain.

**Warning!** Any one luminaire cable must not exceed a maximum length of 13 m (42.6 ft.).



One Exterior 100 Luminaire (up to 18 W) is the equivalent of three Exterior 50 (up to 6 W) Luminaires in terms of power consumption and current draw (see Figure 1).



## Minimum system layout

Figure 2 shows the most basic system layout possible.

In a minimum system:

- AC mains power is supplied to the Exterior 50 & 100 PSU via suitable power cable.
- A data signal from a DMX controller is supplied to the PSU via DMX cable.
- Combined 30 VDC power and DMX data from the PSU is supplied to one to two Exterior 50 or Exterior 100 Luminaires via their supplied luminaire cables.

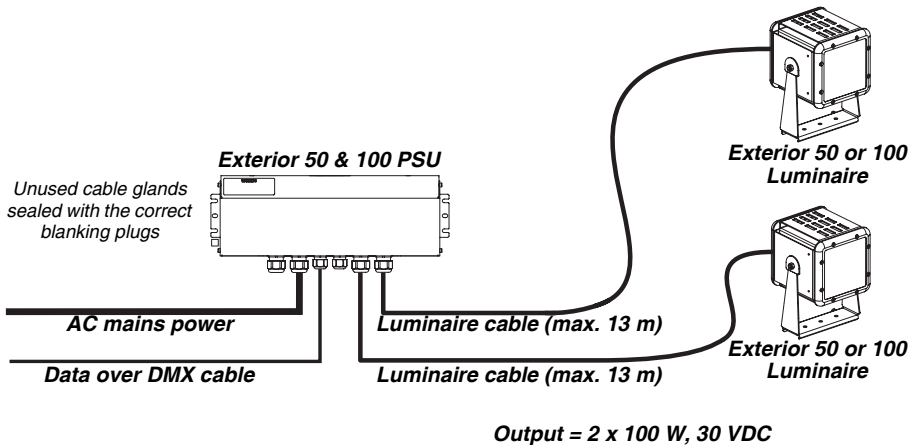
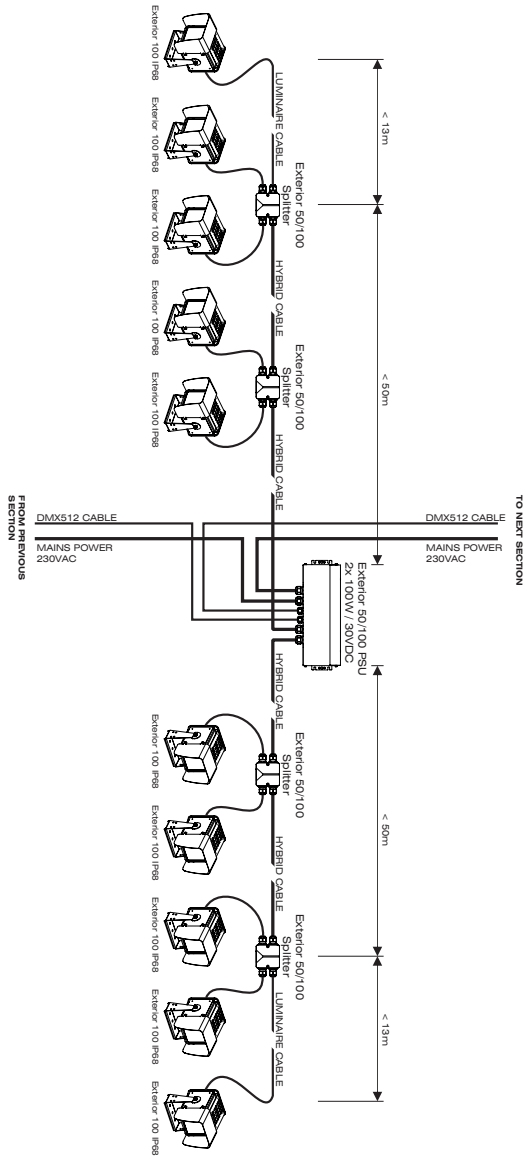


Figure 2: Minimum system layout

## Single group system layout

Figure 3 shows the layout of a single group of Exterior 100 Luminaires:



*A larger version of this diagram is available on the Product Support pages for the Exterior 50/100 at [www.martin.com](http://www.martin.com)  
Products shown with optional light shields installed*

**Figure 3: Single group system layout**

In a single group system:

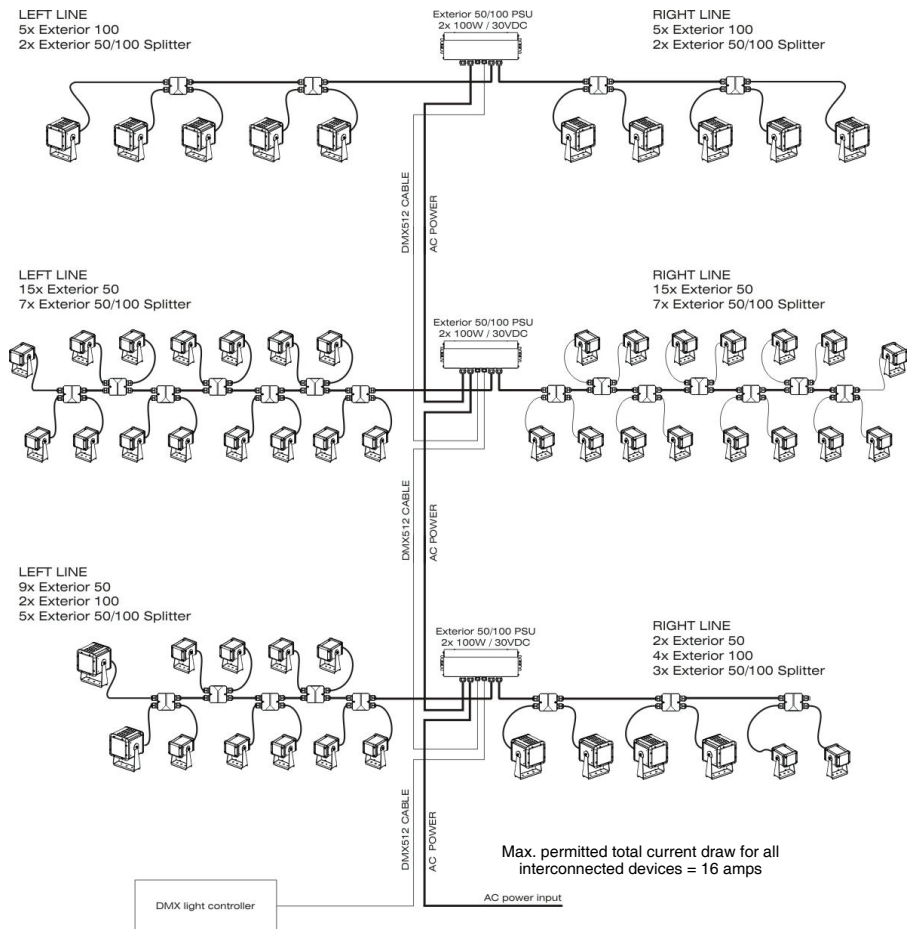
- AC mains power is supplied to the Exterior 50 & 100 PSU via suitable power cable.
- A DMX control data signal from a DMX controller is supplied to the PSU via DMX cable.
- Combined 30 VDC power and DMX data from the PSU is supplied to single daisy-chains of Splitters via hybrid (combined power and data) cable.
- Combined power and data from each Splitter is supplied to Exterior 50 and/or 100 Luminaires via their supplied luminaire cables.

## **Multiple group system layout**

Figure 4 on the next page shows a system layout with multiple groups.

In a multiple group system:

- AC mains power is supplied to the first Exterior 50 & 100 PSU and relayed to following PSUs via suitable power cable.
- A DMX control data signal from a DMX controller is supplied to the first PSU and relayed to following PSUs via DMX cable.
- Combined 30 VDC power and DMX data from each PSU is supplied to single daisy-chains of Splitters via hybrid (combined power and data) cable.
- Combined power and data from each Splitter is supplied to Exterior 50 and/or 100 Luminaires via their supplied luminaire cables.



A larger version of this diagram is available on the After-Sales/Product Support pages for the Exterior 50 and 100 at [www.martin.com](http://www.martin.com)

**Figure 4: Multiple group system layout**

## Installation and connections: general



**Warning!** Read the "Safety information" section starting on page 8 before carrying out work on the Exterior 50 & 100 system.

**Warning!** Luminaire cables may be installed in Luminaires and serviced only by Martin™ and its authorized service agents.

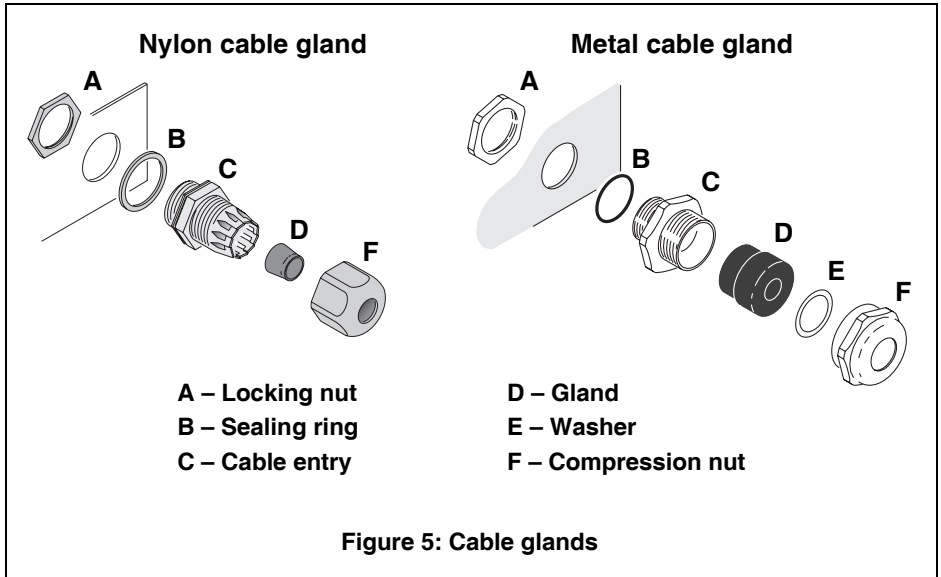
**Consult Martin™ if you have any doubts about the suitability and/or safety of an installation.**

See the system layout diagrams in the "General information" section starting on page 13 for an overview of how PSUs, Splitters and Luminaires are linked. Note the following:

- Splitters can be used to link Luminaires to a PSU until the maximum safe number of Luminaires per PSU output or per PSU is reached (see "System layout limits" on page 16).
- The hybrid Splitter cables and luminaire cables used for internal system connections carry both 30 VDC power and control data:
  - Links from PSUs to Splitters, and links between Splitters, must use the hybrid Splitter cable available from Martin™ in various lengths (see "Accessories" on page 79).
  - Links to Luminaires must use the hybrid luminaire cable that is supplied pre-installed in Luminaires. A 3 m (9.8 ft.) length is supplied. If this is not long enough, please consult your Martin™ supplier for assistance. Custom lengths up to a maximum safe limit of 13 m (42.6 ft.) are available. Luminaire cables must be installed by Martin™ or its authorized agents.

## Installing a cable in a cable gland

All cable entries and exits in the Exterior 50 & 100 system use IP68 cable glands to ensure that system components are sealed against water and dust. When you install cable in PSUs and Splitters, you must follow the instructions in this section carefully to ensure a correct seal.

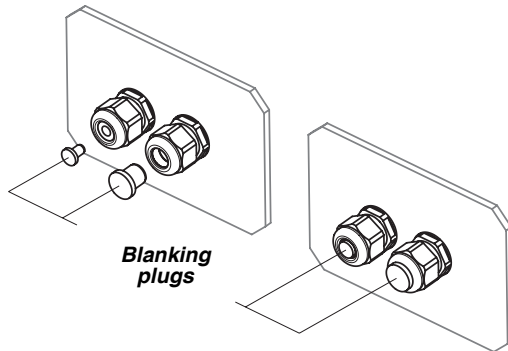


To install a cable in a cable gland in a device in the Exterior 50 & 100 system:

1. If necessary, prepare the cable as described in the relevant sections of this guide.
2. See Figure 5. Loosen – but do not remove – compression nut **F** on the cable gland. Pass the cable through the gland **D** and cable entry **C** until the cable jacket has passed completely through the cable gland assembly. The cable should be a sliding fit in the gland.
3. Make wiring connections in the device as described in the relevant sections of this guide.
4. Check that wiring is routed so that it is not stressed, then hold cable entry **C** to prevent the cable gland assembly from rotating and tighten compression nut **F** firmly enough to ensure a waterproof seal.

## Installing a blanking plug in an unused cable gland

All unused cable glands in the Exterior 50 & 100 system must be sealed with blanking plugs to prevent the entry of water and dust. Enough suitably sized blanking plugs are supplied with PSUs and Splitters to cover all possible situations.



**Figure 6: Cable gland blanking plugs**

To install a blanking plug in a cable gland:

1. See Figure 6. Check that you have the correctly-sized blanking plug for the gland you need to seal (the correct blanking plug is a sliding fit in the gland when the compression nut **F** is loosened).
2. See Figure 5 on page 23. Loosen – but do not remove – compression nut **F** on the unused cable gland, insert a suitably-sized blanking plug fully into the cable gland, then hold cable entry **C** to prevent the assembly from rotating and tighten compression nut **F** firmly enough to ensure a waterproof seal.

## Using a luminaire cable connection box

If the cable supplied pre-installed on Luminaires is not long enough, Martin™ can supply a gel-filled cable connection box that allows you to make a gel-sealed waterproof connection to extend the cable.

The connection box kit available from Martin™ (P/N 90510230) includes the box, two cable glands and a four-way terminal block. A 10 m (32 ft.) luminaire cable extension kit (P/N 90510200) that includes the gel-filled connection box kit is also available.





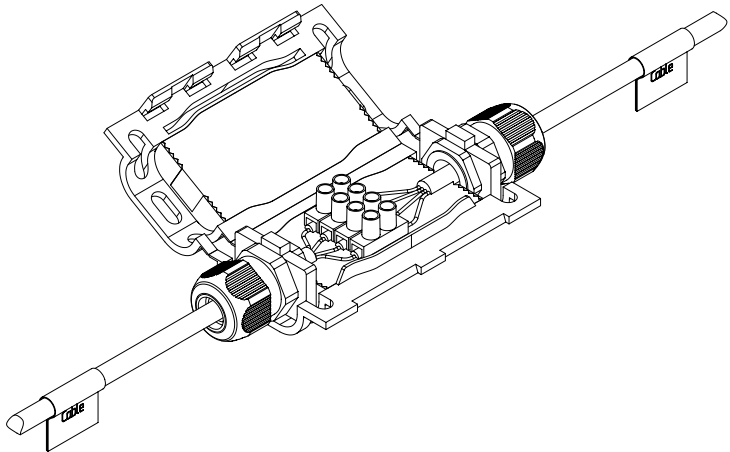
**Use the gel-sealed luminaire cable connection box to extend luminaire cables (the hybrid low-voltage/data cables supplied pre-installed on Luminaires) only. Do not use it on any other type of cable.**



**Ensure that cables that are connected using the box cannot be pulled or strained.**

**Install cable glands and cable ties following the instructions supplied with the box, or IP68 protection will not be obtained.**

**Do not exceed the maximum safe luminaire cable length of 13 m (42.6 ft.) total from Splitter to Luminaire.**



**Figure 7: Luminaire cable connection box**

To connect cables using the cable connection box, follow the instructions provided with the box. Note that you must:

- Use the connections box when extending Luminaire cables only. If any other type of cable in the system is not long enough, replace it with a complete length of suitable cable (see “Accessories” on page 79 for cable available from Martin™).
- Ensure that cables connected using the box cannot be placed under strain or tension.
- Break out the blanking sections in the connections box to prepare the box to accept cable glands.
- Slide cable glands over cables before making wiring connections.

- Use the terminal block to connect the wires in one Luminaire cable to the wires in the other cable that have the same color and markings (see Table 1).

<b>Wire / marking</b>	<b>Function</b>
Black 1 / red	+30 VDC
Black 2 / blue	-30 VDC
Black 3 / no mark	Data +ve
Black 4 / yellow	Data -ve

**Table 1: Luminaire cable wiring identification**

- When you have finished making connections, close the connections box as directed in the supplied instructions, fastening it tightly with two cable ties.

# Installing Power Supply Units

## Physically installing a PSU

Exterior 50 & 100 PSUs must be fastened to a flat surface. See Figure 8.

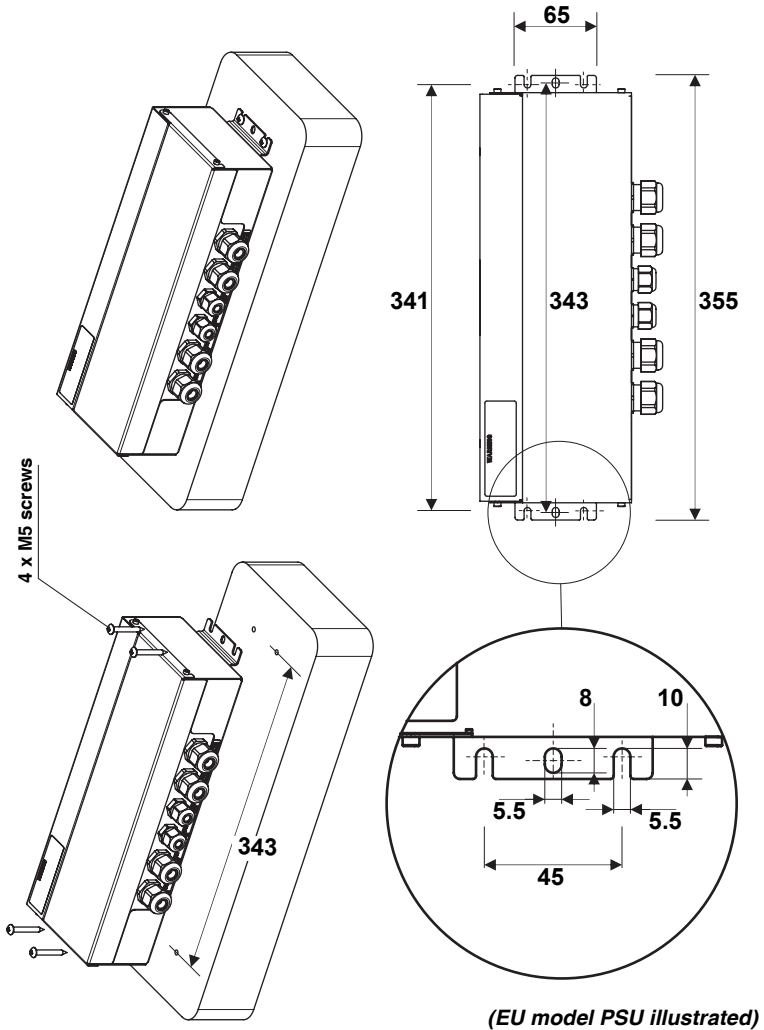


Figure 8: Mounting a PSU

***Warning! Install the PSU horizontally or with the cable outlets facing downwards.***

Figure 8 shows the EU model PSU, but mounting ears and dimensions are the same for the US model PSU.

Supporting surfaces, fasteners and hardware must be capable of supporting ten times the load they will bear when devices are installed and suitable for the installation environment.

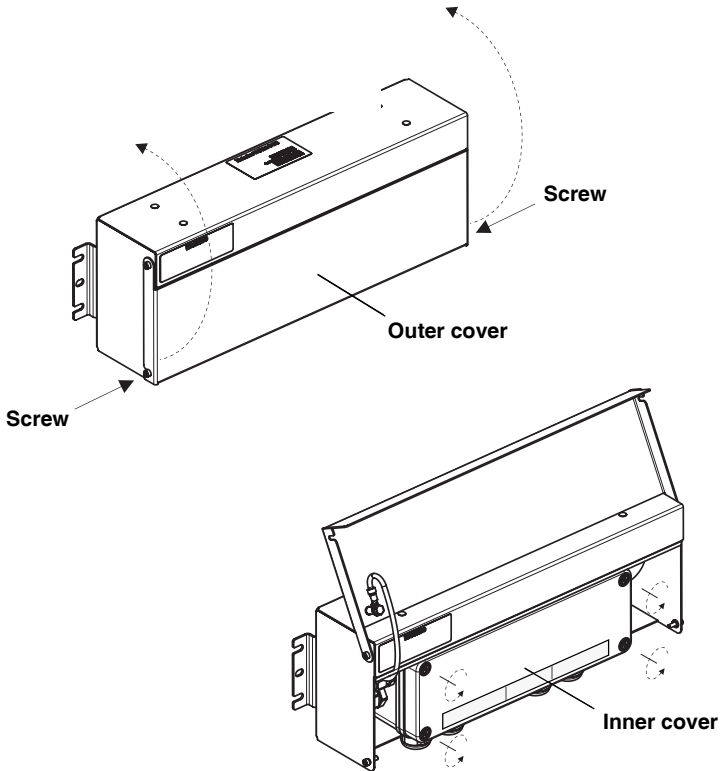
If you are not installing the PSU horizontally, install it with the cable glands facing downwards to avoid water collecting at the cable entries.

Fasten the PSU securely to the mounting surface, ensuring space around it so that you have access to cable glands and can open the PSU for access to internal connections.

# Connecting a PSU

## Internal access to a PSU

(EU model PSU illustrated)



**Figure 9: Internal access to PSU**

To access the terminals or check the system status indicator LEDs inside a PSU, see Figure 9:

1. Check that the system is isolated from AC mains power and that power cannot be reapplied during work on the system.
2. Remove the two screws (arrowed) from the outer cover and hinge the cover open.
3. Remove the four screws from the plastic inner cover and lift the cover off the box.

## **AC mains power input**

### ***AC mains power operating range***

The Exterior 50 & 100 PSU is fully auto-sensing and can be connected to AC mains power as follows:

- The EU model PSU can be connected to mains power at 100-240 VAC nominal at 50/60 Hz.
- The US model PSU can be connected to mains power at 100-240 VAC nominal at 60 Hz.

Do not connect to power at any other voltage or AC frequency.

### ***Power cable and plug***

Cable that meets the power cable specifications listed on page 9 in the "Protection from electric shock" section must be used to connect the Exterior 50 & 100 PSU to an AC mains power source and to interconnect PSUs if you create a power cable link.

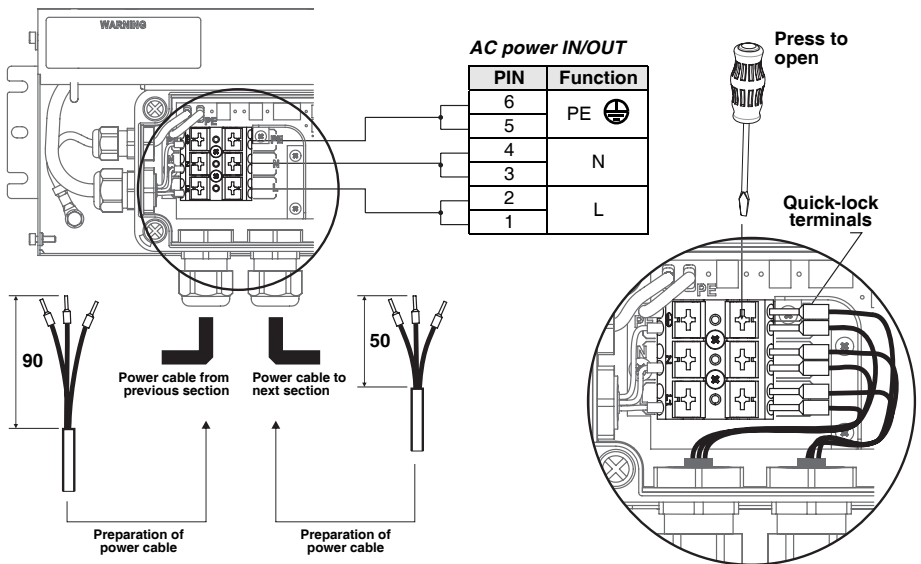
The cable used to supply the system with power must be either hard-wired to a building's electrical installation, providing an easily accessible power on/off switch close to the PSU, or fitted with a suitable grounding-type (earthed) power plug that matches the local power outlets.

If you fit a power plug, follow the plug manufacturer's instructions and locally applicable wiring color code. Table 2 shows some pin and wire color code identification schemes.

Wire (US system)	Wire (EU system)	Pin	Marking	Screw color
black	brown	live	L	yellow or brass
white	blue	neutral	N	silver
green	yellow/green	ground (protective earth)	$\perp$ or $\oplus$ or PE	green

**Table 2: Power plug pin and power cable wiring identification**

## Connecting a PSU to AC mains power



**Figure 10: AC mains power connections in PSU**

To connect the Exterior 50 & 100 PSU to AC mains power:

1. Check that the system is isolated from AC mains power and that power cannot be reapplied during work on the system.

2. Refer to Table 2 for common AC mains power cable wiring color coding schemes.
3. The Exterior 50 & 100 PSU has quick-lock terminals for connecting power cables. Each terminal accepts one input and one throughput wire. Push down with a flat-blade screwdriver on a terminal as shown in Figure 10 each time you need to insert or release wires. Check that wires are fully inserted and held securely when you lift the screwdriver away.
4. Obtain a suitable length of power input cable that meets the specifications listed under "Protection from electric shock" starting on page 8.
5. See Figure 10. Prepare the power input cable for connection to the PSU by stripping the last 90 mm (3.5 ins.) of the outer cable jacket. Strip the last 10 mm (0.4 ins.) of the insulation from the ground/earth, the neutral and the live wires, and install 10 mm (0.4 ins.) ferrules (I-type end caps) on the ends of the wires.
6. See "Installing a cable in a cable gland" on page 23. Pass the power input cable through the cable gland marked **100-240 VAC Line 1** on the PSU.
7. See Figure 10. Connect the wires from the power input cable to the quick-lock terminals in the PSU as follows:
  - Connect the ground/protective earth wire to the terminal marked **PE**.
  - Connect the neutral wire to the terminal marked **N**.
  - Connect the live wire to the terminal marked **L**.
8. Tighten the cable gland as described in "Installing a cable in a cable gland" on page 23.
9. If you are not continuing the AC mains power link from the PSU to another PSU, see "Installing a blanking plug in an unused cable gland" on page 24. Install a blanking plug in the unused power cable gland marked **100-240 VAC Line 2**.
10. If you are continuing the AC mains power link to another PSU, follow the instructions in the next section.



## Relaying AC mains power to other PSUs



**Warning!** *The total current draw of all the Exterior 50 & 100 PSUs that draw power from an AC power source in one interconnected chain must not exceed 16 amps.*

Exterior 50 & 100 PSUs can be interconnected in a chain so that they all draw AC mains power via the first PSU, but the following points must be respected:

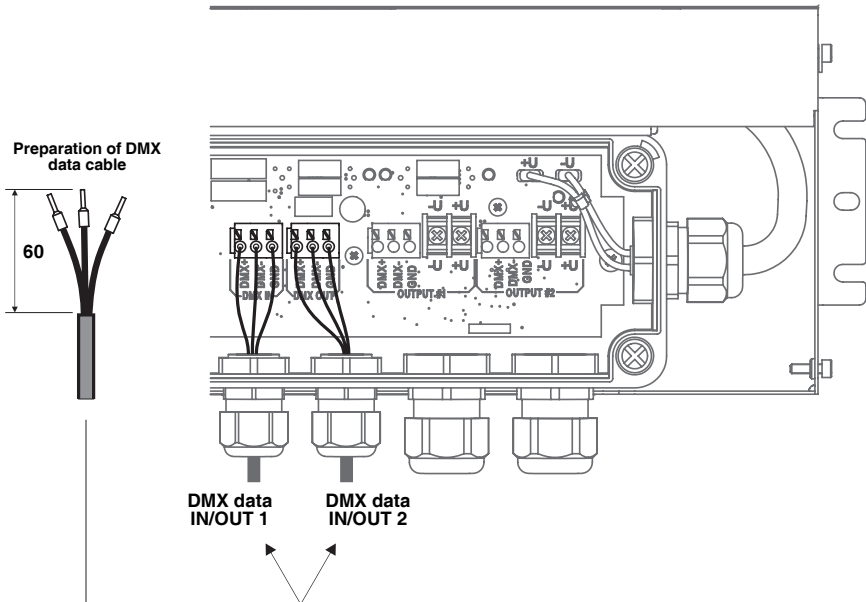
- Connect only Exterior 50 & 100 PSU devices in the chain. Do not connect any other device to power via an Exterior 50 & 100 PSU.
- The cable used for power throughput must meet the same specifications as power input cable (see page 9).

To continue the AC mains power link from one Exterior 50 & 100 PSU to another:

1. Obtain a suitable power cable (see above) to use for power throughput.
2. See Figure 10. Prepare the power throughput cable for connection to the first PSU by stripping the last 50 mm (2 ins.) of the outer cable jacket, then stripping the last 10 mm (0.4 ins.) of the insulation from the ground/earth, the neutral and the live wires. The use of ferrules (I-type end caps) is recommended.
3. See "Installing a cable in a cable gland" on page 23. Pass the power throughput cable through the cable gland marked **100-240 VAC Line 2** on the PSU.
4. See Figure 10. Connect the wires from the power input cable to the quick-lock terminals in the PSU as follows:
  - Connect the ground/protective earth wire to the terminal marked **PE**.
  - Connect the neutral wire to the terminal marked **N**.
  - Connect the live wire to the terminal marked **L**.
5. Tighten the cable gland as described in "Installing a cable in a cable gland" on page 23.
6. Install the AC mains power throughput cable in the same terminals used for AC mains power input in the first PSU using "AC mains power input" starting on page 30 as a guide. Use the cable gland marked **100-240 VAC Line 2** for power throughput cable exit from the PSU.
7. Run the power throughput cable to the next PSU and install it as if it was a power input cable using "AC mains power input" starting on page 30 as a guide.
8. To continue interconnecting other PSUs in a chain, follow the instructions above, but check that all the devices connected to all the PSUs in the chain draw a total combined current that does not exceed the safe maximum of 16 amps. To supply AC mains power to devices

after the 16 amps maximum limit is reached, you must create a new chain of PSUs that has its own connection to a building installation AC mains power circuit.

## Connecting a PSU to DMX control data

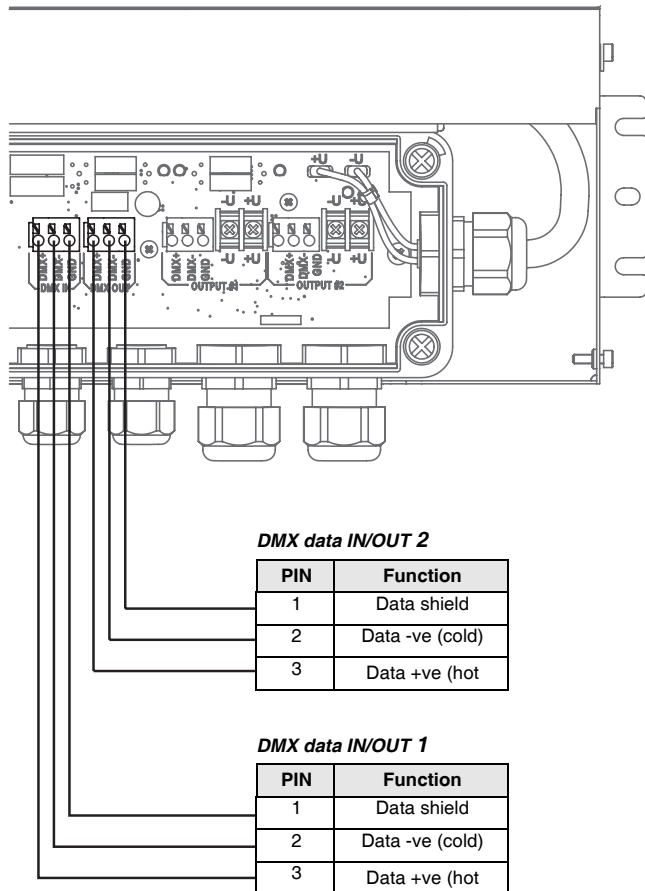


**Figure 11: Control data input connections in PSU**

To connect the Exterior 50 & 100 PSU to DMX control data:

1. Check that the system is isolated from AC mains power and that power cannot be reapplied during work on the system.
2. See Figure 11. Prepare the data input cable for connection to the PSU by stripping the last 60 mm (2.4 ins.) of the outer cable jacket. Strip the last 10 mm (0.4 ins.) of the data ground/common, the data +ve (hot) and data -ve (cold) wires. The use of ferrules (I-type end caps) is recommended.

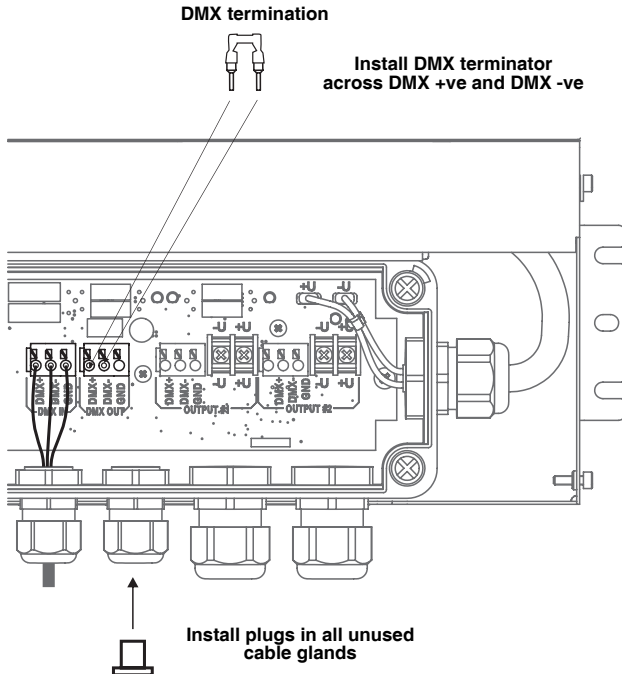
3. See "Installing a cable in a cable gland" on page 23. Pass the data input cable through the cable gland marked **DMX Line 1** on the PSU.



**Figure 12: DMX control data pinouts in PSU**

4. See Figure 12. Connect the wires from the DMX data input cable to the terminals marked **DMX IN** in the PSU as follows:
  - Connect the data shield/ground conductor to the terminal marked **GND**.
  - Connect the data +ve (hot) wire to the terminal marked **DMX+**.
  - Connect the data -ve (cold) wire to the terminal marked **DMX-**.

5. Tighten the cable gland as described in "Installing a cable in a cable gland" on page 23.
6. If you are not continuing the data link from the PSU to another PSU, see Figure 13:
  - Install the supplied DMX terminator in the unused **DMX OUT** terminals so that it bridges the **DMX+** and **DMX-** terminals.
  - Install a blanking plug in the unused cable gland marked **DMX Line 2** (see "Installing a blanking plug in an unused cable gland" on page 24).



**Figure 13: DMX termination in last PSU on link**

7. If you are continuing the DMX data link to another PSU, follow the instructions in the next section.

## Relaying DMX control data to other PSUs

Exterior 50 & 100 PSUs can be interconnected using DMX cable in a chain to continue the DMX data link.

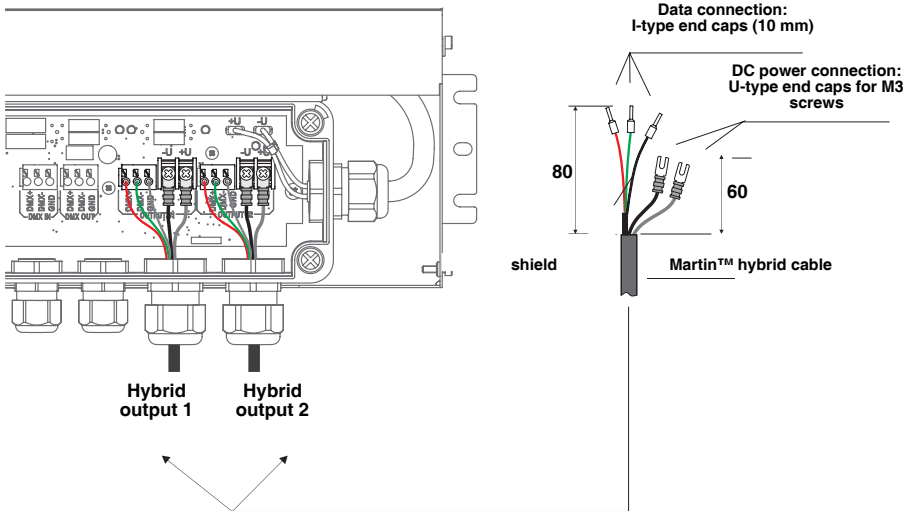
To extend the DMX data link from one Exterior 50 & 100 PSU to another:

1. Obtain a suitable length of DMX cable to use for data throughput.
2. See Figure 11. Prepare the DMX data throughput cable for connection to the first PSU by stripping the last 60 mm (2.4 ins.) of the outer cable jacket. Strip the last 10 mm (0.4 ins.) of the data ground/common, the data +ve (hot) and data -ve (cold) wires. The use of ferrules (I-type end caps) is recommended.
3. Install the DMX data throughput cable in the first PSU using "Connecting a PSU to DMX control data" starting on page 34 as a guide. Use the cable gland marked **DMX Line 2** for data throughput cable exit from the PSU.
4. Run the data throughput cable to the next PSU and install it as if it was a DMX data input cable using "Connecting a PSU to DMX control data" starting on page 34 as a guide. Use the cable gland marked **DMX Line 1** for data throughput cable entry into the PSU.
5. If you need to continue interconnecting other PSUs in a daisy-chained DMX link, use the instructions above as a guide.

## Connecting a PSU to a Splitter

To connect a hybrid Splitter cable to carry data and low-voltage DC power from a PSU to a Splitter:

1. Obtain a suitable length of Martin hybrid Splitter cable (see cable lengths available from Martin under “Accessories” on page 79).

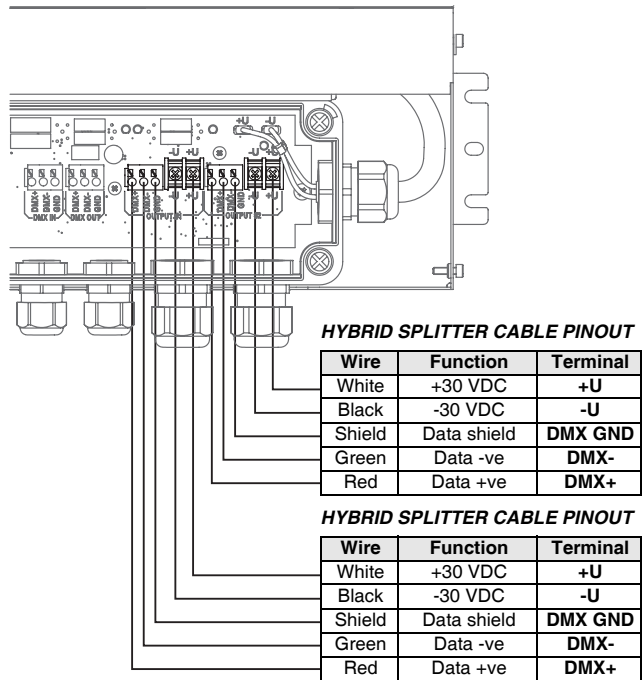


**Figure 14: Hybrid link connections in PSU**

2. See Figure 14. Martin™ hybrid Splitter cables have ferrules (I-type end caps) pre-installed on DMX control data wires and U-shaped end caps pre-installed on 30 VDC wires. You can make a custom-length hybrid Splitter cable by cutting the cable supplied by Martin™ to the required length. If you do this, you must prepare custom cables for connection inside the PSU. See Figure 14:

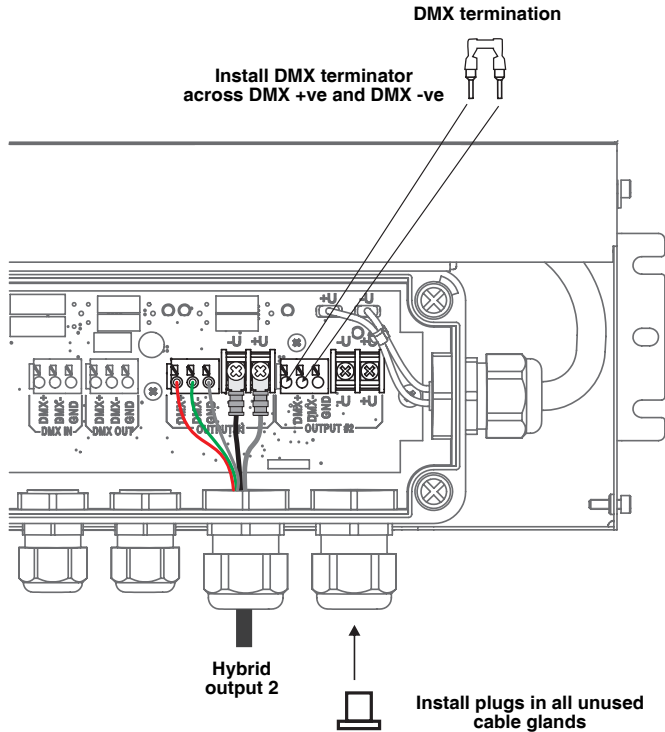
- strip 80 mm (3.1 ins.) of the outer cable jacket from the end of the cable
- strip the last 10 mm (0.4 ins.) of the data ground/common, the data +ve and data -ve wires and install ferrules (I-type end caps) on the exposed conductors, then
- shorten the two 30 VDC wires, strip the last 10 mm (0.4 ins.) from them and install U-shaped end caps that accept M3 screws onto the exposed conductors so that each 30 VDC wire is 60 mm (2.4 ins.) long including the end cap.

3. See "Installing a cable in a cable gland" on page 23. Pass the hybrid output cable through the cable gland marked **DMX/RDM +Power #1** on the PSU.



**Figure 15: Hybrid Splitter cable pinout in PSU**

4. See Figure 15. Connect the wires from the hybrid Splitter cable to the terminals marked **OUTPUT #1** in the PSU as follows:
  - Connect the braided copper and/or foil shield data ground/common conductor to the terminal marked **GND**.
  - Connect the red data +ve (hot) wire to the terminal marked **DMX+**.
  - Connect the green data -ve (cold) wire to the terminal marked **DMX-**.
  - Connect the white 30 V +ve (hot) wire to the terminal marked **+U**.
  - Connect the black 30 V -ve (cold) wire to the terminal marked **-U**.
5. Tighten the cable gland as described in "Installing a cable in a cable gland" on page 23.



**Figure 16: Terminating an unused hybrid link in a PSU**

6. If you are not going to create a second hybrid link from the PSU to a Splitter or Luminaire, see Figure 16:
  - Install the supplied DMX terminator in the unused **OUTPUT #2** terminals so that it bridges the **DMX+** and **DMX+** terminals.
  - Install a blanking plug in the unused cable gland marked **DMX/RDM +Power #2** (see "Installing a blanking plug in an unused cable gland" on page 24).
7. If you are going to create a second hybrid link from the PSU to a Splitter or Luminaire, follow the above instructions for the second hybrid cable, connecting the wires to the **OUTPUT #2** terminals and using the cable gland marked **DMX/RDM +Power #2** for cable exit from the PSU.
8. If you have finished making connections inside the PSU, follow the instructions in "Closing a CPU after internal access" on page 41.



## Closing a CPU after internal access

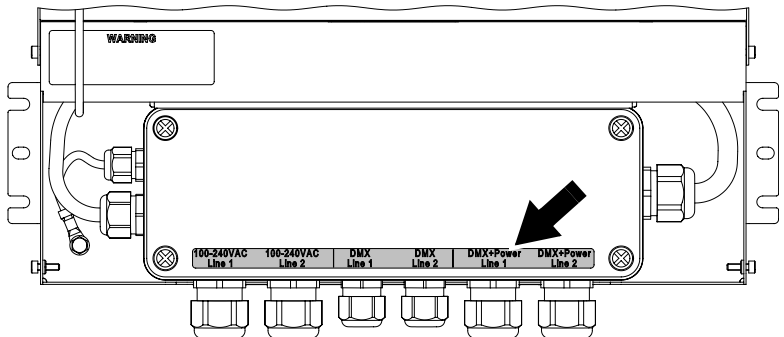


**Warning!** When reinstalling the inner cover after internal access to the CPU:

- Check that mating surfaces are clean and undamaged. If surfaces are not in perfect condition, contact Martin™ for assistance.
- Reinstall the inner cover as it was originally installed, with the connectors label over the connectors, or it will be impossible to seal correctly.
- Reinstall all four inner cover screws securely.

After accessing the terminals and indicator LEDs inside a PSU:

1. See Figure 17. Check that all mating surfaces are in perfect condition and reinstall the inner cover as it was originally installed, with the connectors label (arrowed) over the connectors, tightening all four inner cover screws securely.



**Figure 17: PSU inner cover – correct reinstallation**

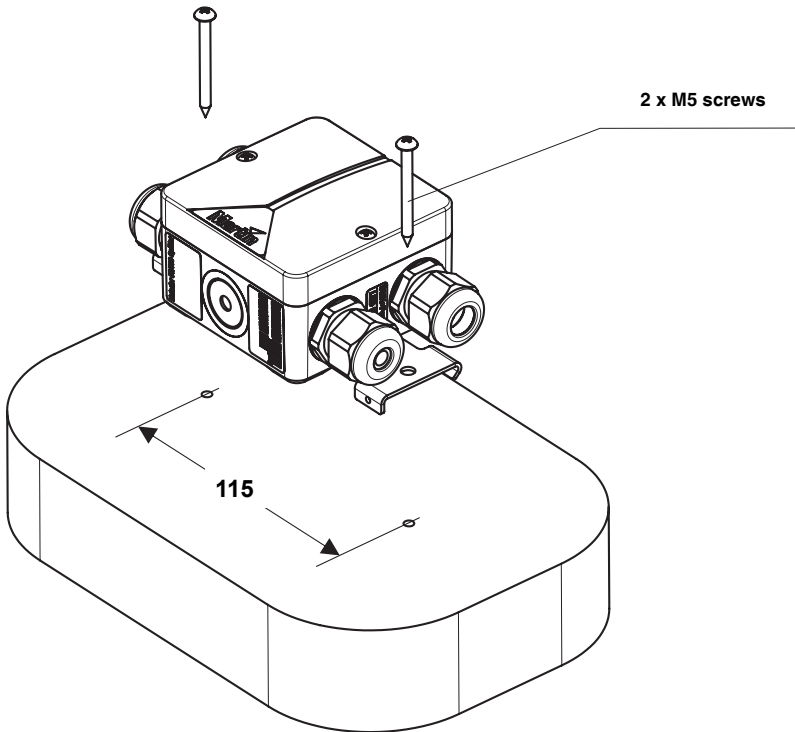
2. See Figure 9 on page 29. Hinge the PSU outer cover closed and reinstall its two screws securely.

# Installing Splitters

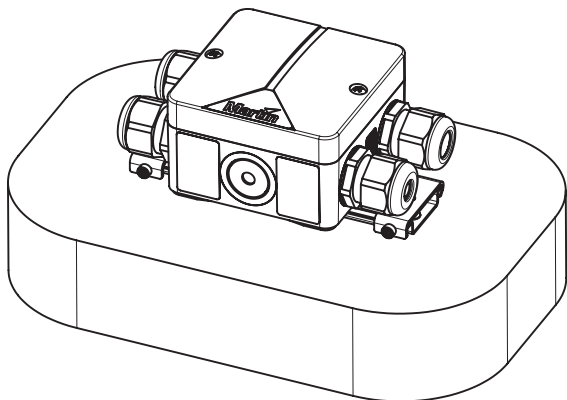
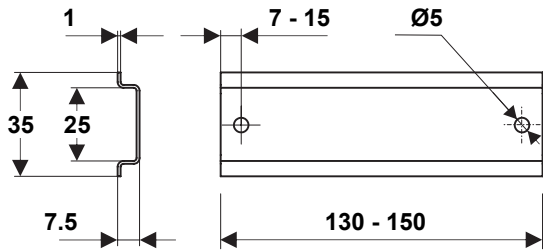
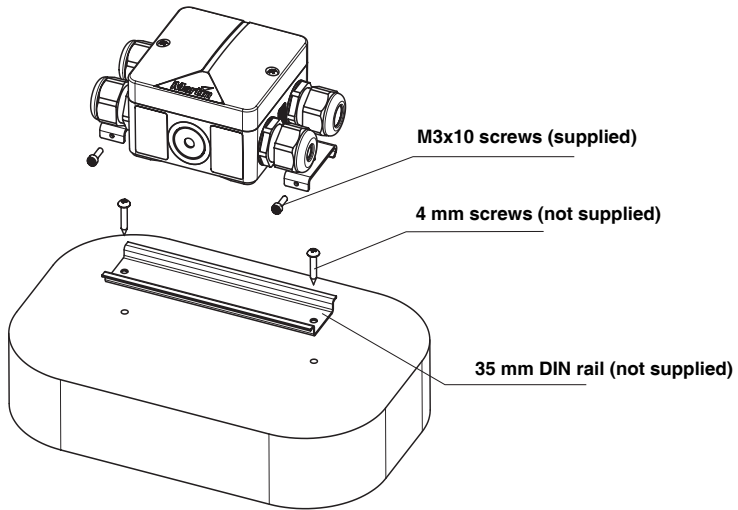
## Physically installing a Splitter

Exterior 50 & 100 Splitters can be fastened to a flat surface (see Figure 18) or mounted on DIN rail (see Figure 19).

Supporting surfaces, fasteners and hardware must be capable of supporting ten times the load they will bear when devices are installed.



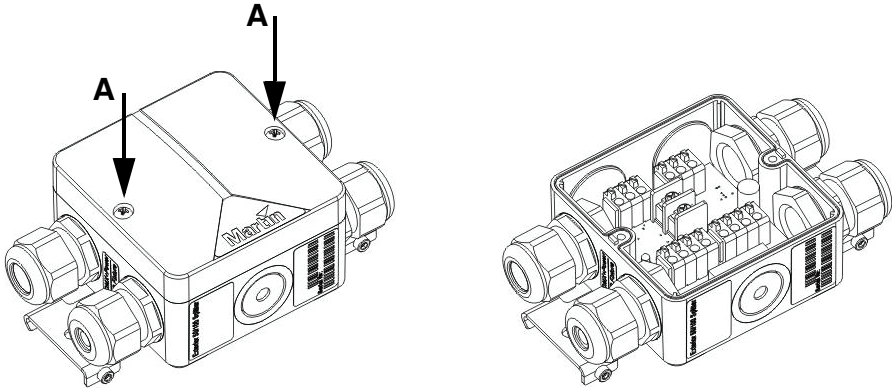
**Figure 18: Surface-mounting a Splitter**



**Figure 19: Mounting a Splitter on DIN rail**

# Connecting a Splitter

## Internal access to a Splitter

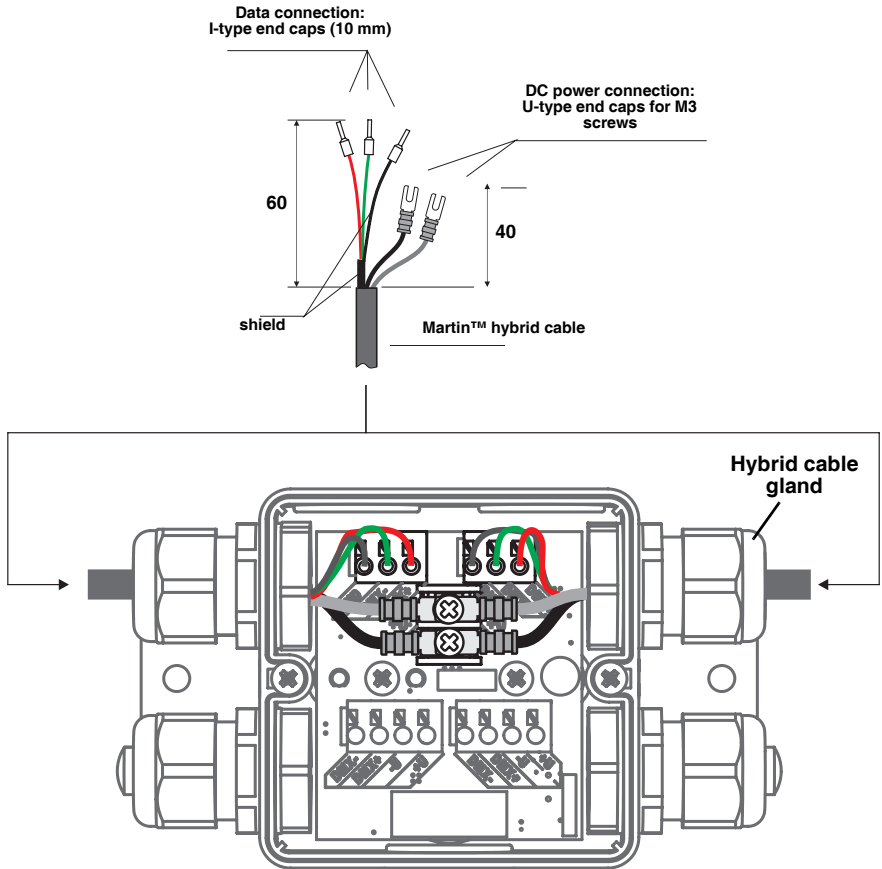


**Figure 20: Internal access to Splitter**

For internal access to a Splitter:

1. Check that the system is isolated from AC mains power and that power cannot be reapplied during work on the system.
2. See Figure 20. Remove the two screws **A** from the top cover and lift the cover off the Splitter housing for access to the terminals and fuse.
3. After you have finished connecting and testing the Splitter, check that mating surfaces are clean and undamaged and reinstall the top cover and screws **A** securely, making sure that you do not trap any wires under the top cover. Note that, if the Splitter is required to be fully waterproof, you will need to fill it with IP68 sealant (see "Filling a Splitter with IP68 sealant" on page 57).

## Connecting the hybrid link in a Splitter



**Figure 21: Hybrid cable connections in Splitter**

To connect a hybrid Splitter cable carrying data and 30 VDC power to a Splitter:

1. Check that the system is isolated from AC mains power and that power cannot be reapplied during work on the system.
2. See Figure 21. Prepare a suitable length of Martin™ hybrid Splitter cable for connection to the Splitter:
  - strip 60 mm (2.4 ins.) of the outer cable jacket from the end of the cable,

- strip the last 10 mm (0.4 ins.) of the data ground/common, the data +ve and data -ve wires and install ferrules (I-type end caps) on the exposed conductors, then
  - shorten the two 30 VDC wires, strip the last 10 mm (0.4 ins.) from them and install U-shaped end caps that accept M3 screws onto the exposed conductors so that each 30 VDC wire is 40 mm (1.6 ins.) long including the end cap.
3. See "Installing a cable in a cable gland" on page 23. Pass the hybrid Splitter cable through one of the hybrid (larger cable diameter) cable glands on the Splitter as shown in Figure 21.
  4. See Figure 22. Connect the wires from the hybrid Splitter cable to either of the hybrid cable terminals in the Splitter as follows:
    - Connect the braided copper and/or foil shield data ground/common conductor to the terminal marked **GND**.
    - Connect the red data +ve (hot) wire to the terminal marked **DMX+**.
    - Connect the green data -ve (cold) wire to the terminal marked **DMX-**.
    - Connect the white 30 V +ve (hot) wire to the terminal marked **+U**.
    - Connect the black 30 V -ve (cold) wire to the terminal marked **-U**.

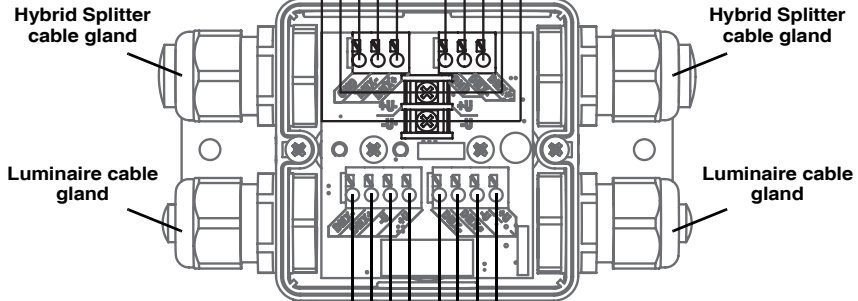
5. Tighten the cable gland as described in "Installing a cable in a cable gland" on page 23.

**HYBRID SPLITTER CABLE PINOUT**

Wire	Function	Terminal
White	+30 VDC	+U
Black	-30 VDC	-U
Shield	Data shield	DMX GND
Green	Data -ve	DMX-
Red	Data +ve	DMX+

**HYBRID SPLITTER CABLE PINOUT**

Wire	Function	Terminal
White	+30 VDC	+U
Black	-30 VDC	-U
Shield	Data shield	DMX GND
Green	Data -ve	DMX-
Red	Data +ve	DMX+



**LUMINAIRE CABLE PINOUT**

Wire / marking	Function	Terminal
Black 1 / red	+30 VDC	+U
Black 2 / blue	-30 VDC	-U
Black 3 / no mark	Data +ve	DMX+
Black 4 / yellow	Data -ve	DMX-

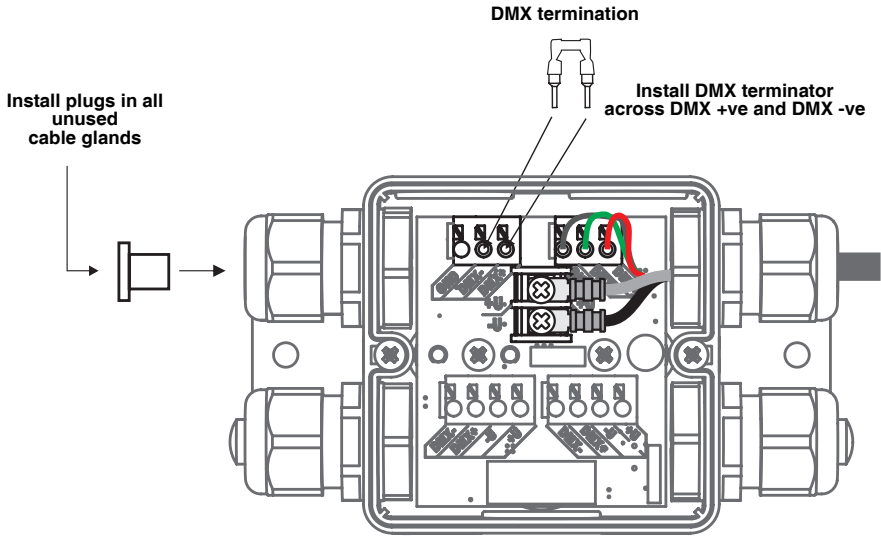
**LUMINAIRE CABLE PINOUT**

Wire / marking	Function	Terminal
Black 1 / red	+30 VDC	+U
Black 2 / blue	-30 VDC	-U
Black 3 / no mark	Data +ve	DMX+
Black 4 / yellow	Data -ve	DMX-

**Figure 22: Cable pinout in Splitter**

6. If you are not going to extend the hybrid link from the Splitter to another Splitter, see Figure 23:
  - Install the supplied DMX terminator in the unused DMX data terminals as shown in Figure 23 so that it bridges the **DMX+** and **DMX-** terminals.
  - Install a blanking plug in the unused Splitter hybrid cable (larger cable diameter) gland (see "Installing a blanking plug in an unused cable gland" on page 24).
7. If you are going to extend the hybrid link from the Splitter to another Splitter, follow the above instructions for the Splitter hybrid output

cable, connecting the wires to the unused hybrid cable in/out terminals and passing the cable through the unused Splitter hybrid cable gland.



**Figure 23: Terminating hybrid link in Splitter**

8. To connect Luminaires to a Splitter, see the next section of this guide.



# Installing Luminaires

Using their supplied mounting brackets, Exterior 50 & 100 Luminaires can be fastened to a flat surface, mounted on standard 35 mm top-hat section DIN rail that is fastened to a flat surface, fastened to telescopic or fixed-length mounting posts that are fastened to a flat surface, or fastened to a ground stake that is embedded in the ground so that the stake will offer a stable support.

Supporting surfaces, fasteners and hardware must be capable of supporting ten times the load they will bear when devices are installed.

## Physically installing Luminaires

Luminaires can be installed on a surface, on DIN rail or on a mounting post (including a ground stake that is pushed into the ground to anchor it securely)

### Fastening to a surface

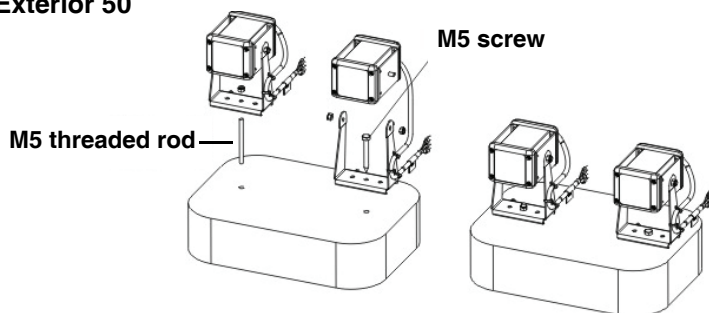
An Exterior 50 or 100 Luminaire can be mounted on a flat, stable surface in any orientation by fastening its mounting bracket to the surface. See Figure 24.

To fasten to a surface:

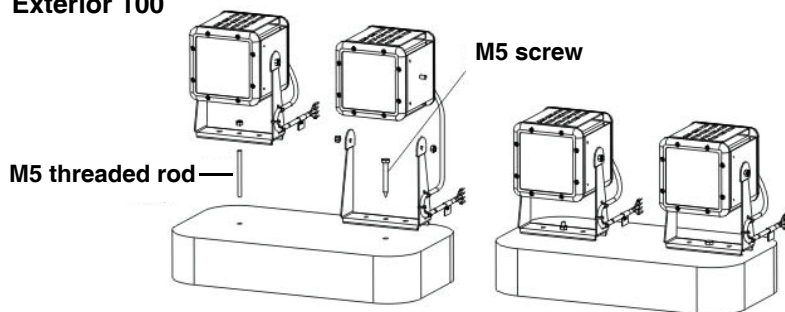
1. Check that the surface is flat and stable, and that the surface and all installation fasteners can support at least ten times the weight of all devices and hardware they will bear.
2. Pass a steel M6 fastener that is suitable for the environment, grade 8.8 minimum, through the centre hole in the Luminaire mounting bracket and tighten loosely at first.
3. Adjust the Luminaire for correct orientation and tighten the fastener.

4. Check that the Luminaire is held securely and cannot fall.

### Exterior 50



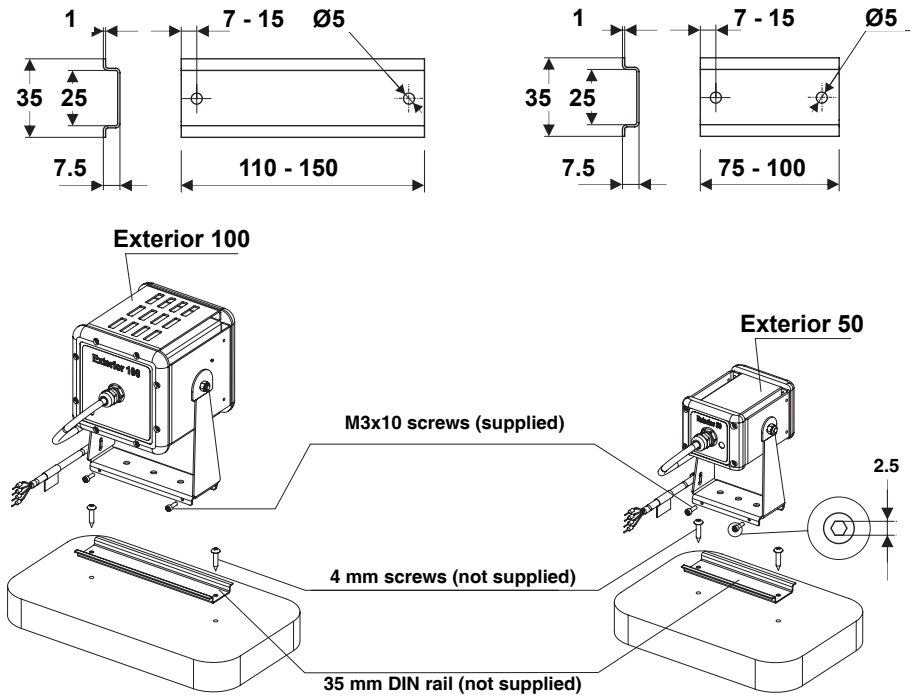
### Exterior 100



**Figure 24: Fastening to a surface**

## Fastening to DIN rail

Using the attachment options on their mounting brackets and the two M3x10 Torx screws supplied with each Luminaire, Exterior 50 & 100 Luminaires can be mounted on standard 35 mm top-hat section DIN rail that is fastened to a flat surface. See Figure 25.



**Figure 25: Fastening to DIN rail**

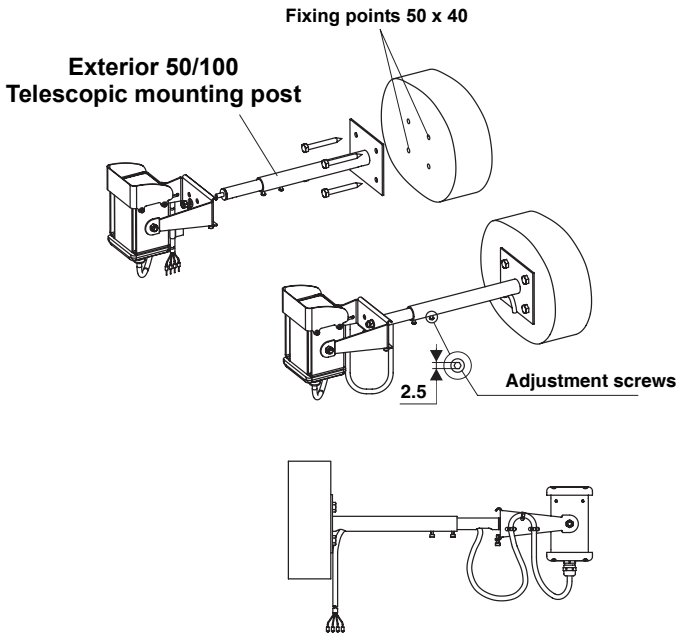
To fasten an Exterior 50 or 100 mounting bracket to 35 mm DIN rail:

1. Check that the DIN rail is securely mounted on a flat surface that can hold ten times the weight of all the hardware to be installed on it.
2. Hook the upper edge of the profile in the Luminaire mounting bracket over the DIN rail and swing the mounting bracket down so that it hangs flat against the DIN rail (you may need to loosen the two screws in the mounting bracket base slightly for clearance).
3. Adjust for position, then tighten both screws in the mounting bracket base securely behind the lower lip in the DIN rail.
4. Check that the Luminaire is held securely and cannot fall.

## Installing on a mounting post or ground stake

Using their mounting bracket, Exterior 50 & 100 Luminaires can be fastened onto the telescopic or standard (fixed-length) mounting posts or ground stakes that are available as accessories from Martin™.

Mounting posts must be securely fastened to a flat surface. Ground stakes must be securely embedded in the ground. All installation surfaces must provide a stable support. Luminaires are fastened to mounting posts and ground stakes using the same method.



**Figure 26: Fastening to a mounting post: Exterior 50**

To fasten a Luminaire mounting bracket to a mounting post:

1. Check that the mounting surface is flat and stable, and that it can securely hold the weight of the Luminaire and cable.
2. See Figure 26. Fasten the mounting post securely to the mounting surface using suitable steel grade 8.8 minimum fasteners. The Luminaires will exert leverage on the end of mounting posts, so check

that fasteners and the anchoring method have sufficient strength to hold the Luminaire plus an adequate safety margin for the location.

3. Fasten the Luminaire mounting bracket to the end of the post, adjusting orientation before tightening the attachment nut.
4. Check that the Luminaire is held securely and cannot fall.

# Connecting Luminaires

The conductors in the luminaire cable are identified in Figure 27 and cable entry and layout are shown in Figure 28.

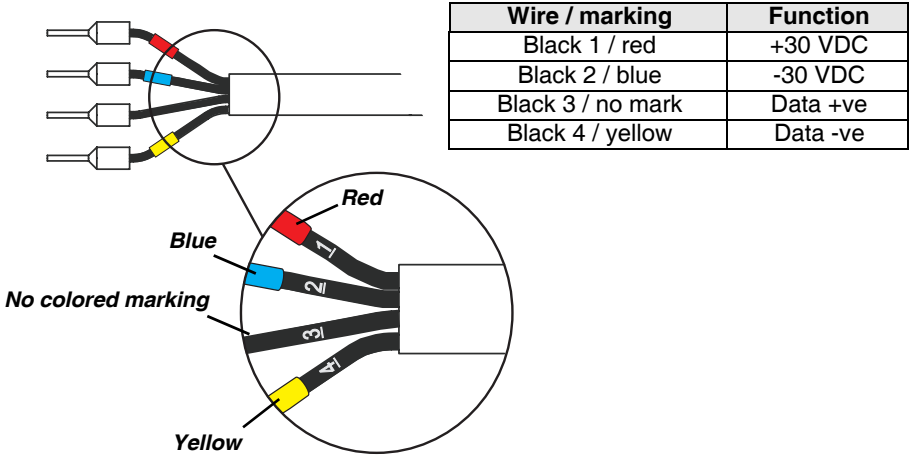


Figure 27: Luminaire cable wire markings

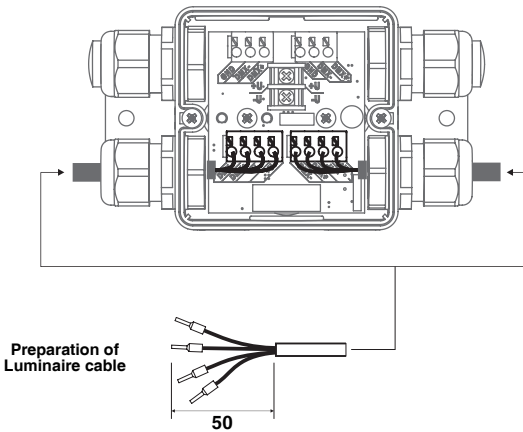
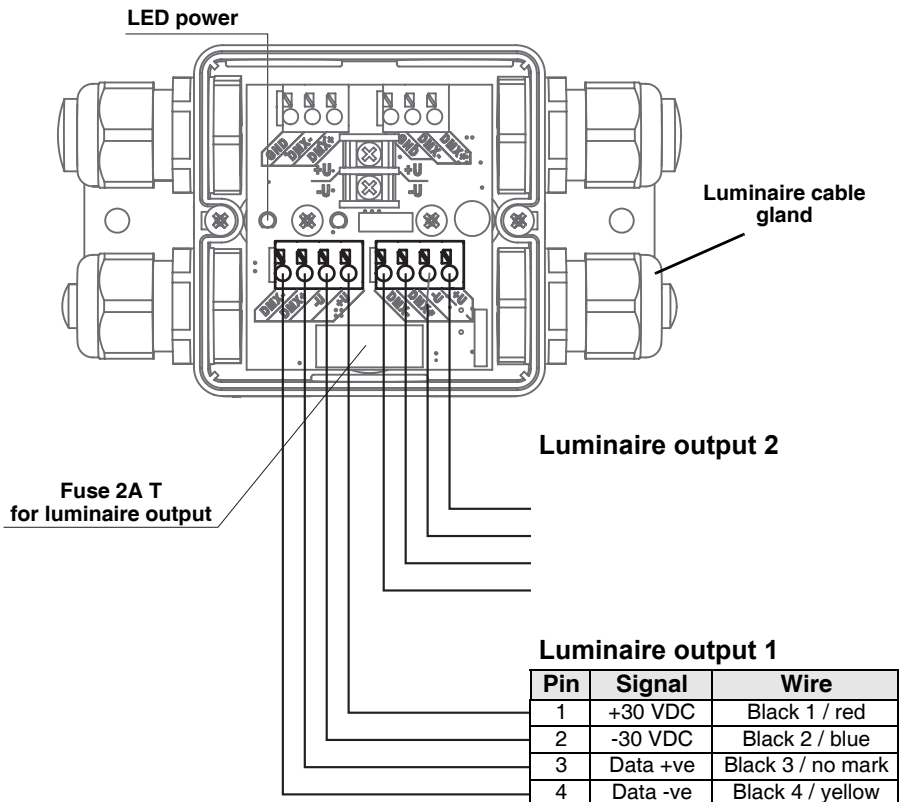


Figure 28: Luminaire cable connections in Splitter

To connect a luminaire cable to a Splitter:

1. Check that the system is isolated from AC mains power and that power cannot be reapplied during work on the system.
2. See "Installing a cable in a cable gland" on page 23. Pass the luminaire cable through either of the luminaire (smaller cable diameter) cable glands on the Splitter (see Figure 29).



**Figure 29: Luminaire cable pinout in Splitter**

3. See Figure 29. Connect the wires from the luminaire cable to either of the luminaire cable terminals in the Splitter as follows:
  - Connect the 30 V +ve (hot) black wire marked **1** with the **red ring** to the terminal marked **+U**.
  - Connect the 30 V -ve (cold) black wire marked **2** with the **blue ring** to the terminal marked **-U**

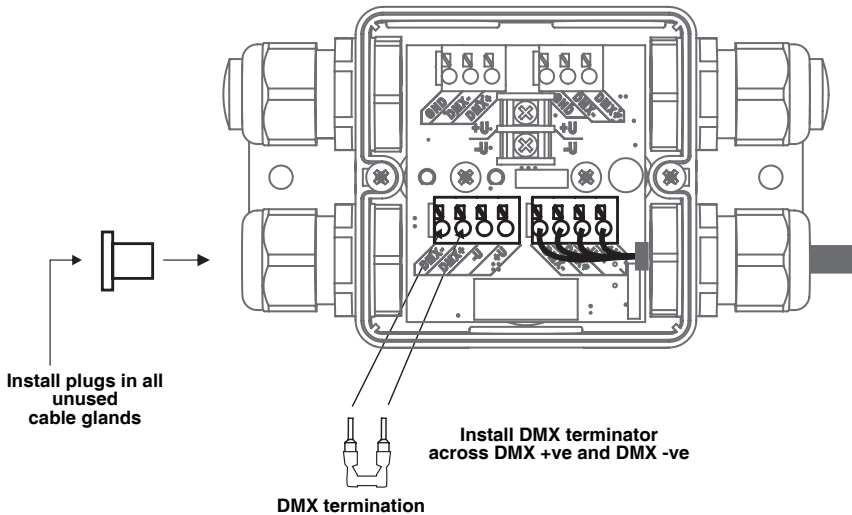
- Connect the data +ve (hot) black wire marked **3** with **no colored ring** to the terminal marked **DMX+**.
  - Connect the data -ve (cold) black wire marked **4** with the **yellow ring** to the terminal marked **DMX-**.
4. Tighten the cable gland as described in "Installing a cable in a cable gland" on page 23.
  5. If you are going to connect another Luminaire to the Splitter, repeat the above instructions for connecting Luminaires, installing the unused luminaire (smaller diameter) cable gland on the luminaire cable and connecting the wires in the luminaire cable to the unused luminaire cable terminals.

If you have finished making connections to the Splitter, see Figure 30:

- Install the supplied DMX terminator in the unused DMX data terminals as shown in Figure 23 so that it bridges the **DMX+** and **DMX+** terminals.
- Install the correct-sized blanking plug in any unused cable gland (see "Installing a blanking plug in an unused cable gland" on page 24).
- If the Splitter needs to be fully waterproof, fill it with the sealing compound available from Martin™ (see "Filling a Splitter with IP68



sealant” on page 57) and re-install the cover on the Splitter (see “Internal access to a Splitter” on page 44).



**Figure 30: DMX termination in unused luminaire cable output**

### **Filling a Splitter with IP68 sealant**

If a Splitter needs to be protected to IP68, a sealing compound gel available from Martin™ must be injected into the Splitter using a standard caulking gun after all connections have been made.

The sealant is self-healing. This means that you can push a screwdriver through it, for example, and it will reseal itself.

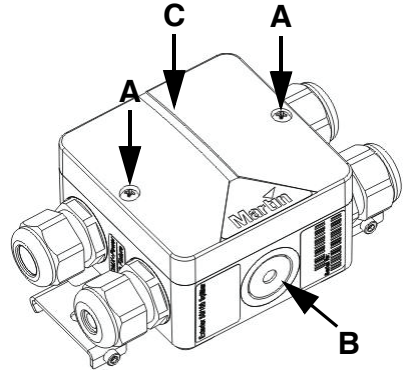
It is possible to remove the sealant after applying it if you need full access to terminals again. If you remove the sealant, inject new sealant afterwards to maintain IP68 protection.

***Important! Avoid skin contact with the sealant. Use protective gloves when working with the sealant.***



To apply sealant to a Splitter:

1. Check that all cables have been connected and connections tested.
2. See Figure 31. Place the Splitter either horizontal (with its cover **C** facing upwards) or vertical (with membrane **B** facing upwards).
3. Either remove the two screws **A** and lift the Splitter cover off or use membrane **B** for access, whichever will let you inject the sealant vertically downwards into the Splitter.
4. Install the supplied mixer nozzle on the sealant cartridge and place the cartridge in a standard caulking gun.
5. The sealant in the cartridge is a thick liquid. Fill the Splitter completely with sealant, allowing air to escape.
6. If you removed the Splitter cover, reinstall it, fastening both screws **A**.
7. Allow the sealant to cure for 24 hours before exposing the Splitter to heavy splashing with water or immersion.



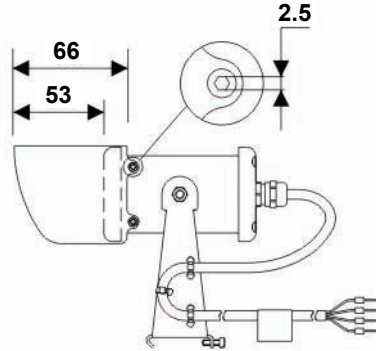
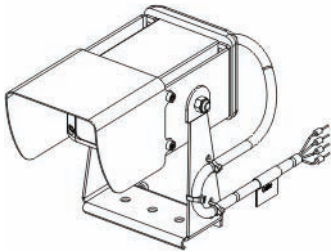
**Figure 31: Access for sealant injection**

# Installing light shields

Light shields for Exterior 50 & 100 Luminaires are available as accessories from Martin™. The shields reduce unwanted glare and guide the light output at various beam angles. To install a shield on the front of a Luminaire, see Figure 32. Fasten the four Allen screws that are supplied with the shield through the shield and into the holes provided in the sides of the Luminaire housing. Check that the screws are secure.

## Exterior 50

(Narrow Light Shield illustrated)



## Exterior 100

(Narrow Light Shield illustrated)

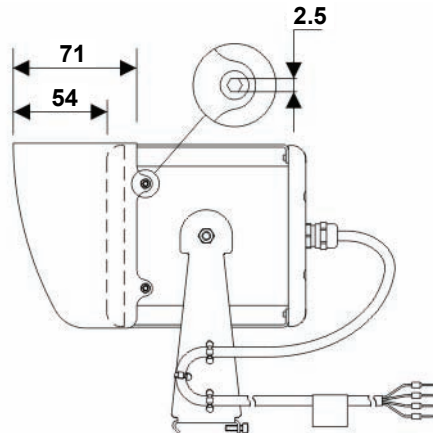
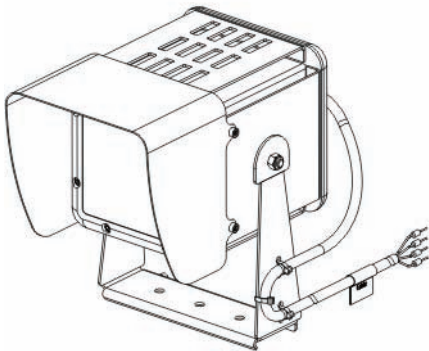


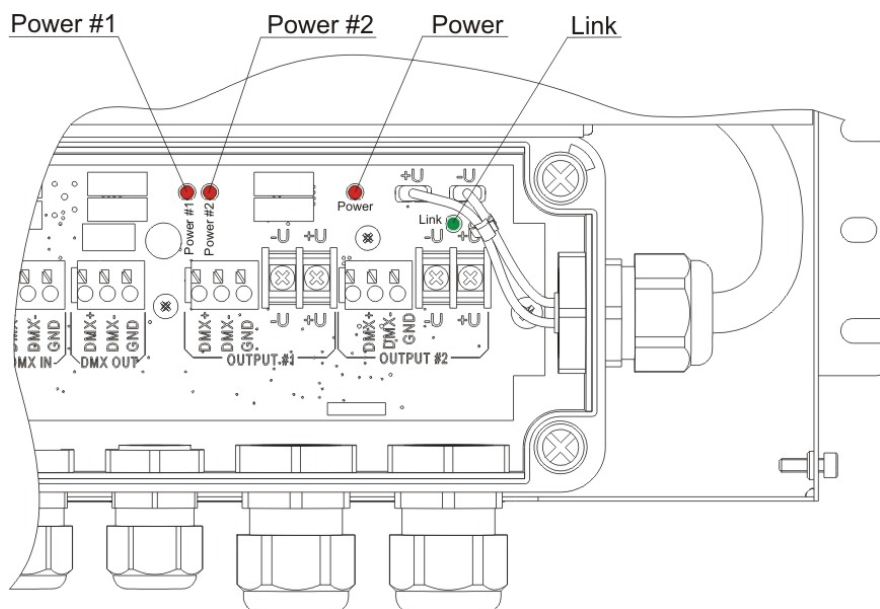
Figure 32: Exterior 50 and 100 Light Shields

# Checking and monitoring the installation

## System status indicators in a PSU

See Figure 33. Four indicator LEDs inside a PSU give information about system status:

- **Power #1** lights red: indicates 30 V power transmission at output 1.
- **Power #2** lights red: indicates 30 V power transmission at output 2.
- **Power** lights red: indicates that AC mains power is present at the input.
- **Link** flashes green: indicates data transmission at one or both of the DMX data outputs.



**Figure 33: Status indicator LEDs in PSU**

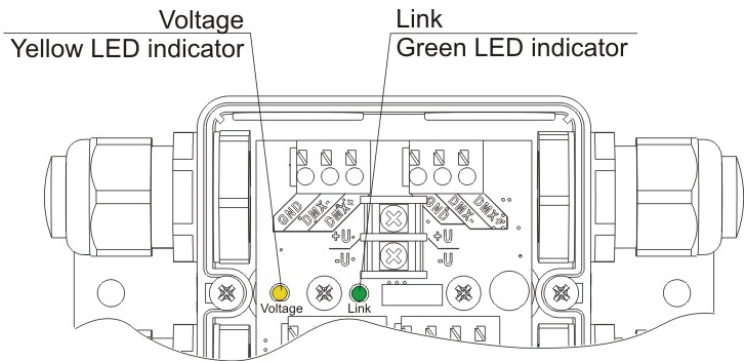
For access to the indicator LEDs, follow the instructions in "Internal access to a PSU" on page 29 and "Closing a CPU after internal access" on page 41.

# System status indicators in a Splitter

See Figure 34. Two indicator LEDs inside a Splitter give information about system status:

- **Link** flashes green: indicates data transmission at one or both of the DMX data outputs.
- **Voltage** lights constant yellow: indicates that the DC power received is outside the 20-40 V acceptable range.
- **Voltage** flashes yellow: identifies the DC power voltage received.
  - Long flashes indicate multiples of 10
  - Short flashes indicate single digit

*Example: Voltage LED gives two long flashes and nine short flashes – DC voltage is 29 V.*



**Figure 34: Status indicator LEDs in Splitter**

For access to the indicator LEDs, follow the instructions in "Internal access to a Splitter" on page 44. If IP68 sealing compound has been injected, the LEDs should still be visible through the gel sealant.

# Setup

You can set Exterior 50 & 100 Luminaires to display a programmable default scene and/or set them up for DMX control using the infrared remote control unit available as an accessory from Martin™. The remote control unit lets you communicate with one Luminaire at a time.

You can also set up Luminaires for DMX control and switch them between calibrated and raw modes using an RDM (Remote Device Management) compliant DMX controller such as the Martin M1™ console or the Martin M-PC™ Windows application. An RDM-compliant controller connected to the data link lets you set up all the Luminaires on the link.

## Setting up for DMX control

### DMX Addressing

If DMX control of Exterior 50 & 100 Luminaires is required, they must be set up to receive instructions from the DMX controller on a DMX channel or group of DMX channels in the 512 channels available in their DMX universe.

The DMX address, also known as the control address or start channel, is the first of these channels. Each fixture uses this channel and the channels immediately above it to receive instructions.

Exterior 50 & 100 Luminaires use 1, 3, or 4 DMX channels, depending on model and raw/calibrated control mode. For example, if an RGBW Luminaire's DMX address is set to 1 and the Luminaire is in calibrated (RGB) mode, it will use channels 1 - 3. Channel 4 will be available as the DMX address for the next Luminaire.

If two or more identical Luminaires are set up with the same DMX address (RGBW Luminaires must also be in the same control mode, either raw RGBW or calibrated RGB), they will receive the same instructions and behave identically. Setting up identical Luminaires with the same address is an easy way to achieve synchronized action and can also be used as a troubleshooting tool.

### Calibrated and Raw modes

Luminaires can be operated in either **Calibrated** or **Raw** control mode. Luminaires are supplied in **Calibrated** control mode, but they can be set to **Calibrated** or **Raw** mode via RDM using an RDM-compliant controller such as the Martin M-PC™ Windows application.

## ***RGBW Luminaires***

In RGBW Luminaires:

- **Calibrated mode** gives slightly reduced LED power but, LEDs follow factory-calibrated settings to give the best-matched color and white output across multiple Luminaires.

In Calibrated mode, color output is controlled using three RGB DMX channels. There is no DMX channel for white LED control. White output is added to the calibrated RGB output automatically as required to increase intensity and reduce color saturation.

- **Raw mode** allows all LEDs to be operated to their absolute maximum output regardless of color calibration issues. This means that hue, saturation, intensity and white color temperature can vary slightly between Luminaires.

In Raw mode, color output is controlled using four RGBW DMX channels. The white LED control channel must be manually adjusted to control intensity and color saturation in RGBW color mixing. Setting all four channels to 100% gives maximum intensity white.

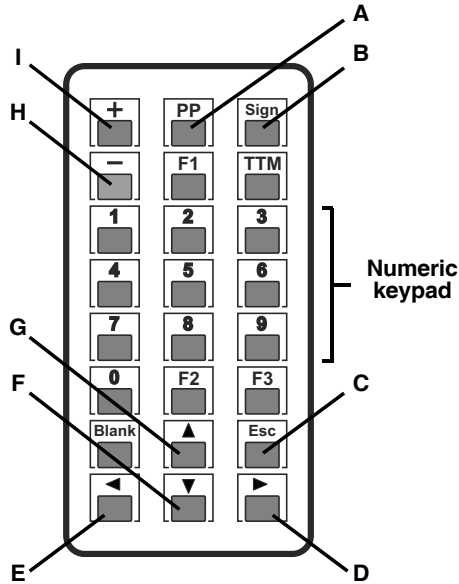
## ***White Luminaires***

In Cool White, Neutral White and Warm White Luminaires:

- **Calibrated mode** gives slightly reduced LED power but sets LEDs to their factory-calibrated output power to give the best-matched white intensity across multiple Luminaires.
- **Raw mode** allows all LEDs to be operated to their absolute maximum output regardless of intensity issues. This means that white intensity can vary slightly between Luminaires.

# Setting up using the remote control

An IR (infrared) remote control unit for the Exterior 50 & 100 system is available as an accessory from Martin™ (P/N 90510210).



<b>A</b>	<b>PP</b>	Activates <b>Remote Control</b> mode in Luminaire
<b>B</b>	<b>Sign</b>	Stores configuration and exits <b>Remote Control</b> mode in Luminaire
<b>C</b>	<b>Esc</b>	Exits <b>Remote Control</b> mode in Luminaire without storing configuration
<b>Numeric keypad</b>	<b>1 - 0</b>	Enters parameter values
<b>D</b>	▶	Increase intensity of selected channel (in <b>Scene Setting</b> mode)
<b>E</b>	◀	Reduce intensity of selected channel (in <b>Scene Setting</b> mode)
<b>F</b>	▼	Sets all LEDs in Luminaire to zero intensity (in <b>Scene Setting</b> mode)
<b>G</b>	▲	Sets all LEDs in Luminaire to full intensity (in <b>Scene Setting</b> mode)
<b>H</b>	-	Starts <b>Scene Setting</b> mode
<b>I</b>	+	Starts <b>DMX Address Setting</b> mode

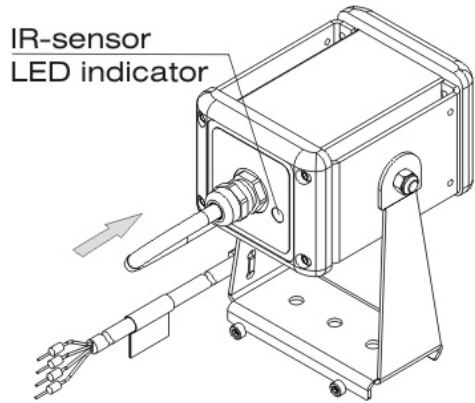
**Figure 35: Remote control keypad**



## Setting a Luminaire to *Remote Control* mode

Before you can set up or program a Luminaire with the remote control, you must set the Luminaire to **Remote Control** mode to allow communication between the two devices:

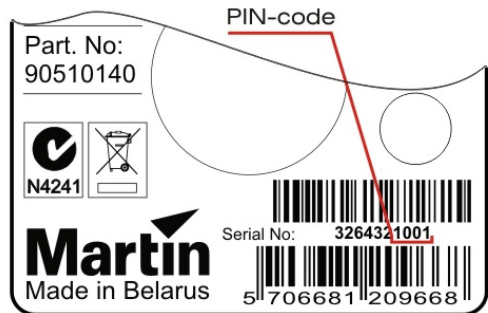
1. See Figure 36.  
Point the remote control at the IR sensor on the back of the Luminaire.



**Figure 36: IR sensor and status indicator LED**

2. See Figure 35.  
Hold the **PP** key pressed in for five seconds. When communication is established, the status indicator LED incorporated in the sensor begins to flash green and the Luminaire gives three slow flashes (yellow in RGBW Luminaires).

3. See Figure 37.  
Note the last four digits of the Luminaire's serial number labeled on the fixture and enter them using the numeric keypad on the remote control. The Luminaire should flash each time you press a button.



**Figure 37: Luminaire serial number**

4. Press the **Sign** key.
  - If the four digits have been entered correctly, the Luminaire flashes (green in RGBW Luminaires) three times slowly to show that it has entered **Remote**

**Control** mode. The Luminaire automatically switches to **DMX Address Setting** mode.

- If the four digits have not been entered correctly, the Luminaire flashes (red in RGBW Luminaires) quickly and switches out of **Remote Control** mode. Repeat the above procedure from Step 1.

Note that:

- The IR sensor status indicator LED flashes each time a button on the remote control is pressed and the Luminaire accepts that entry.
- Only one parameter can be edited in one session of **Remote Control** mode. To edit the next parameter, you must re-enter **Remote Control** mode.
- If a Luminaire does not receive a remote control command for more than 20 seconds, it exits **Remote Control** mode without saving the configuration parameters.
- Any entered parameters are lost if you switch modes without storing those parameters.

## Setting a Luminaire's DMX address

To set a Luminaire's DMX address with the remote control unit:

1. Set the Luminaire to **Remote Control** mode (see previous section).
2. Press **+** to enter **DMX Address Setting** mode.
3. Enter the desired DMX address using the numeric keypad following these principles:
  - Each time you enter digits, the Luminaire responds with short LED flashes.
  - Enter the number in normal left-to-right order (first key pressed enters first digit on left of address).
  - Any digits on the left that are not entered are interpreted as zero (if you only enter **5** or enter **05**, your entry is interpreted as **005**)
  - Only the last three digits are accepted (if you enter **1234005**, your entry is interpreted as **005**).
4. When you have entered the DMX address, press **Sign** to store the address in the Luminaire and exit **DMX Address Setting** Mode.

## Programming a scene in a Luminaire

A 'scene' is a lighting effect or appearance (i.e. intensity, and in RGBW Luminaires color).

Note that:

- Sixteen intensity levels are available in programmed scenes.
- If a DMX signal is present, it overrides the programmed scene.

- The factory default values are zero for all Luminaires.

To program a Luminaire's default scene with the remote control unit:

1. Set the Luminaire to **Remote Control** mode (see previous section).
2. Press the **—** key to enter **Scene Setting** mode. The Luminaire responds with one short flash (blue in RGBW Luminaires) and the LEDs switch to the last stored scene. LEDs flash each time the Luminaire accepts an entry for the rest of this procedure.
3. In RGBW Luminaires, use digits **1 - 4** on the numeric keypad to select the individual LEDs:
  - **1** selects Red
  - **2** selects Green
  - **3** selects Blue
  - **4** selects White
4. Set LED intensity as follows:
  - **▶** Increases the intensity of the selected LEDs (in RGBW Luminaires) or all LEDs
  - **◀** Decreases the intensity of the selected LEDs (in RGBW Luminaires) or all LEDs
  - **▼** Sets all luminaires to zero intensity
  - **▲** Sets all luminaires to full intensity
5. When you have programmed the scene, press **Sign** to store the scene in the Luminaire and exit **Scene Setting Mode**.

An Exterior 50 & 100 Luminaire will display its default scene each time it is powered on, unless it receives a DMX signal.

## Setting up via RDM using Martin M-PC™

The Exterior 50 & 100 system is compatible with RDM (Remote Device Management). Using an RDM-compliant DMX controller such as the Martin M-PC™ Windows application, you can communicate with the Luminaires on the data link via RDM. You can retrieve Luminaire data, and you can also:

- Set the DMX addresses of all the Luminaires on the link
- Set Luminaires to raw or calibrated modes.

To use Martin M-PC, connect a PC running this application to the data link using the Martin USB Duo™ USB/DMX interface box.

## Luminaire information and DMX address setting

See Figure 38. Opening the **RDM View** window in M-PC and clicking on the **Scan** button (arrowed bottom left) gives a list of the RDM-compliant devices on the data link (in this example, one Exterior 100 and one Exterior 50 are present on the link, and both are set to DMX address 1).



**Figure 38: M-PC RDM View**

To set Luminaires' DMX addresses using M-PC, click in the **Address** box for each Luminaire, enter the desired DMX address, then press the Enter key on your PC keyboard to store the DMX address for that Luminaire.

## Configuring Luminaire settings

See Figure 39. Opening the **Device Info** window for a Luminaire on the link calls up data for that Luminaire:

- Clicking on the **Change personality...** button (arrowed on right) in this window lets you select **Mode 1** (Calibrated RGB) or **Mode 2** (Raw RGBW) for the Luminaire.
- **DMX footprint** is updated with the number of DMX channels the Luminaire uses in the mode you select.

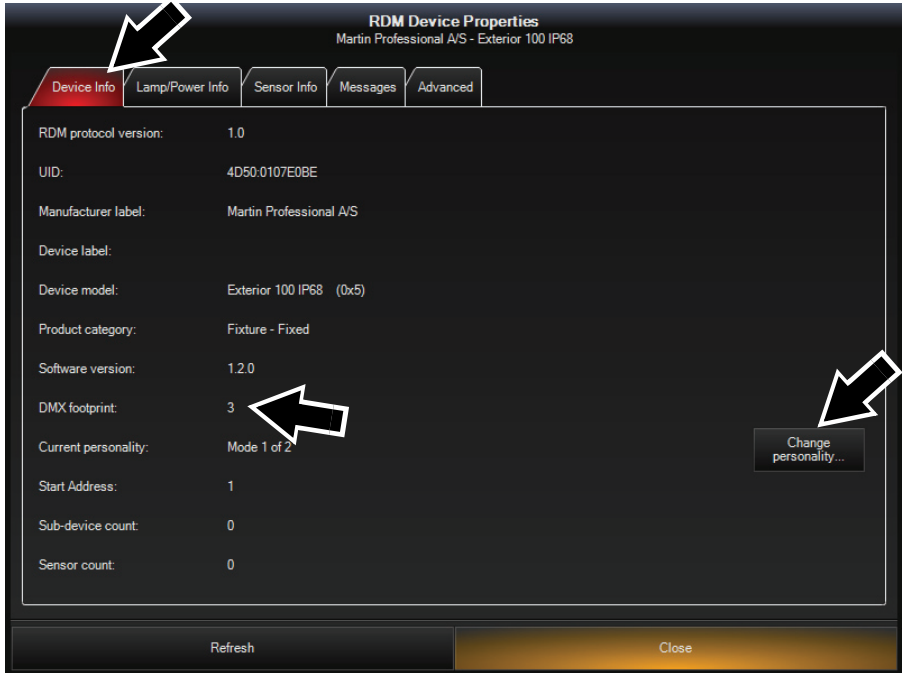


Figure 39: M-PC Device Info view

# Operation

Exterior 50 & 100 Luminaires can be operated using a DMX controller or set up to display a default scene that does not require DMX control.

If a Luminaire has been set up to display a default scene, it will display it as soon as power is applied, but if DMX commands are sent to a Luminaire, they override its default scene display.

## Ambient temperatures

The Exterior 50 & 100 system – apart from the US model PSU for use in North America – can be operated at ambient temperatures from -40° C (-40° F) to 45° C (113° F). The US model PSU for use in North America can be operated at ambient temperatures from -40° C (-40° F) to 40° C (104° F). Do not operate devices outside their permitted temperature range.

## DMX control

The industry-standard DMX system allows remote control of an Exterior 50 & 100 installation over the DMX data link using a DMX controller or a PC running DMX controller software such as the Martin M-PC™ application. If Luminaires have been set up with individual DMX addresses, they can be controlled individually.

The section “DMX protocols” on page 73 gives details of the control options available using DMX.

### DMX channels in Raw and Calibrated modes

In RGBW Luminaires:

- RGBW control is available on four DMX channels when the Luminaire is set to **Raw** mode.
- RGB control is available on three DMX channels when the Luminaire is set to **Calibrated** mode.

When an RGBW Luminaire is set to **Calibrated** mode, white LED intensity is added automatically to match the color saturation and intensity levels set on the three RGB channels. Setting all three channels to 100% gives maximum intensity white, with all LEDs – including white – at their calibrated maximum.

In CW, NW and WW Luminaires, white LED intensity control is available on one DMX channel in both **Raw** and **Calibrated** modes.

See also “Calibrated and Raw modes” on page 62.

## Using Martin M-PC™ for DMX control

See Figure 40. If you do not already have M-PC™ profiles for the models in the Exterior 50 & 100 series, you can create them in a few seconds.

Once you have profiles in the M-PC fixture library, you can control Exterior 50 & 100 Luminaires via DMX using a Windows PC running M-PC™ and connected to the data link via a Martin USB Duo™ USB/DMX interface box

See the Martin M-PC™ user documentation for full details of using the M-PC application.



Figure 40: M-PC Fixture Library and Fixture Settings

Figure 41 shows the M-PC™ DMX control interface for an Exterior 100. In this example, the Luminaire is in Raw (uncalibrated RGBW) mode. Red output is set to 5%, Green is set to 10%, Blue is set to 30% and White is set to 40%.



Figure 41: M-PC DMX control interface



# DMX protocols

## RGBW Luminaires

### Calibrated mode (calibrated RGB control)

Start code = 0

Channel	Value	Percent	Function
1	0 - 255	0 - 100	<b>Red</b> Intensity 0 →100%
2	0 - 255	0 - 100	<b>Green</b> Intensity 0 →100%
3	0 - 255	0 - 100	<b>Blue</b> Intensity 0 →100%

### Raw mode (uncalibrated RGBW control)

Start code = 0

Channel	Value	Percent	Function
1	0 - 255	0 - 100	<b>Red</b> Intensity 0 →100%
2	0 - 255	0 - 100	<b>Green</b> Intensity 0 →100%
3	0 - 255	0 - 100	<b>Blue</b> Intensity 0 →100%
4	0 - 255	0 - 100	<b>White</b> Intensity 0 →100%

## White (CW, NW and WW) Luminaires

### Intensity control (Raw and Calibrated modes)

Start code = 0

Channel	Value	Percent	Function
1	0 - 255	0 - 100%	<b>Single color</b> Intensity 0 →100%

# Service



**Warning! There are no user-serviceable parts inside Luminaires. Refer any service operation not described in this guide to Martin Professional or its authorized service agents.**

Installation, on-site service and maintenance can be provided worldwide by the Martin Professional Global Service organization and its approved agents, giving owners access to Martin's expertise and product knowledge in a partnership that will ensure the highest level of performance throughout the product's lifetime. Please contact your Martin supplier for details.

The only service operation the user can carry out on the Exterior 50 & 100 system is occasional cleaning.

## Cleaning

Do not use abrasive, caustic or solvent-based products for cleaning, as they can encourage corrosion and cause surface damage.

To clean a device in the Exterior 50 & 100 system:

1. Disconnect the system from power and allow it to cool for at least 5 minutes.
2. Clean the outside of the device with a soft cloth slightly dampened in a warm water/detergent solution.

## Software installation

It may be necessary to upload new software (i.e. firmware) to an Exterior 50 & 100 Luminaire if you believe that the product has a software-related fault or if you want to update to a newer version. Software updates are available from the Martin website (<http://www.martin.com>) and can be installed via the DMX data link with the following items:

- The Martin Software Uploader application, version 5.11 or later, downloadable free of charge in the 'DMX Tools' package from the Support area of the Martin website.
- The Luminaire's main CPU software update file, downloadable free of charge from the Support area of the Martin website (this file can be downloaded automatically from within the Uploader application)
- A Martin DABS 1™ USB/DMX interface box and a Windows PC.

## Installing software

1. Connect a PC running the Martin Software Uploader application to a Martin DABS 1™ interface box (included in P/N 90758090) and from there to the Luminaire's DMX data input or to a suitable point on the DMX link. Software will be uploaded to that Luminaire and all Luminaires of the same type that are powered on and connected via the DMX link.
2. Upload the Luminaire software as described in the Uploader application's help file or user documentation.
3. Disconnect the uploader hardware and reconnect the Luminaire to the DMX link.
4. Cycle power off and on. Check that the Luminaire resets correctly and behaves normally. If it does not, cycle power off and on again and check that the Luminaire now resets correctly and behaves normally. If the problem persists, contact Martin™ for assistance.

# Troubleshooting

<b>Problem</b>	<b>Probable cause(s)</b>	<b>Remedy</b>
Luminaire is completely dead.	No power to fixture.	Check power and connections.
	Fuse in Splitter blown.	Isolate system from power. Check fuse and replace.
	Fuse in PSU blown.	
One or more Luminaires responds incorrectly to control or does not respond at all.	Fault on DMX link.	Inspect connections and cables. Correct wrong or poor connections. Repair or replace damaged cables.
	Incorrect Luminaire addressing.	Check that Luminaire is set to correct DMX mode. Check number of channels required by Luminaire's DMX mode and check Luminaire addresses.
	Luminaire defective.	Have faulty Luminaire serviced by Martin service technician.
	Other device on DMX link defective.	Bypass devices on DMX link until faulty device has been identified. Have faulty device tested and serviced by Martin service technician or device supplier.
Luminaires cut out intermittently.	PSU is too hot.	Ensure free airflow around PSU. Clean PSU. Check that ambient temperature does not exceed maximum permitted level. Contact Martin for service.

**Table 3: Troubleshooting**

# Specifications

## Physical

### ***Exterior 50 Luminaire***

Length	130 mm (5.1 in.) including clearance for cable
Width	87 mm (3.4 in.) including mounting/tilt adjustment fasteners
Height	117 mm (4.6 in.) including mounting bracket
Weight	660 g (23.3 oz.) including mounting bracket

### ***Exterior 100 Luminaire***

Length	165 mm (6.5 in.) including clearance for cable
Width	127 mm (5.0 in.) including mounting/tilt adjustment fasteners
Height	166 mm (6.5 in.) including mounting bracket
Weight	1.4 kg (3.1 lbs.) including mounting bracket

### ***Exterior 50/100 Splitter***

Length	133 mm (5.2 in.) including cable glands
Width	80 mm (3.1 in.)
Height	59 mm (2.3 in.)
Weight	230 g (8.1 oz.)

### ***Exterior 50/100 Power Supply Unit, EU model***

Length	355 mm (14.0 in.)
Width	146 mm (5.7 in.) including cable glands
Height	83 mm (3.3 in.)
Weight	2.8 kg (6.2 lbs.)

### ***Exterior 50/100 Power Supply Unit, US model***

Length	355 mm (14.0 in.)
Width	186 mm (7.4 in.) including cable glands
Height	90 mm (3.6 in.)
Weight	3.4 kg (7.5 lbs.)

### ***Exterior 50/100 Infrared Remote Control Unit***

Length	145 mm (5.7 in.)
Width	50 mm (2 in.)
Height	23 mm (1 in.)
Weight	100 g (3.5 oz.)

## Dynamic Effects

Color mixing	RGBW (RGBW models)
Intensity	0 - 100% (all models)

## Optics

Light source	Cree MC-E high-power emitters
Color temperature (CW model)	6500 K
Color temperature (NW model)	4000 K
Color temperature (WW model)	2700 K
Minimum LED lifetime	50 000 hours (to >70% luminous output)*

\*Manufacturer's figure obtained under manufacturer's test conditions

## Control and Programming

Control options	DMX, programmable default scene
Color control modes	Calibrated RGB, Raw RGBW (RGBW models)
Control modes	Calibrated and Raw (all models)
DMX channels	1 (CW, NW and WW models), 3/4 (RGBW models)
Setting and addressing	IR remote control unit, RDM-compliant controller
Dimming resolution	14-bit (internal)
DMX compliance	USITT DMX512-A
RDM compliance	ANSI/ESTA E1.20
Receiver	RS-485
Firmware update	Serial upload via DMX link

## Construction

Color	Steel grey (custom colors available upon request)
Housing	Aluminum with micro-arc oxidation coating, stainless steel protection frame
Mounting bracket	1.5 mm (0.1 in.) stainless steel
Front glass	Polycarbonate with UV and mechanical protection coating
Protection rating	Luminaires IP68, Splitter IP65 (IP68 with sealing compound), PSU IPX7

## Installation

Orientation	Any
Mounting	Surface mount, 35 mm DIN rail, mounting post, ground stake
Minimum distance from Luminaire to combustible surfaces illuminated	10 cm (4 in.)
Maximum Splitter hybrid cable length from PSU to last Splitter on chain	50 m (164 ft.)
Maximum Luminaire hybrid cable length	13 m (42.6 ft.)

*Hybrid cables carry both power and data over multiple conductors*

## Connections

All cable entries	IP68 cable gland
Internal connections in Splitter and PSU	Quick-lock terminals

## Electrical

AC power (input to EU model PSU)	100-240 V nominal, 50/60 Hz
AC power (input to US model PSU)	100-240 V nominal, 60 Hz
System power (output from PSU)	30 VDC nominal
Power consumption, zero light output	0.42 W per Luminaire
Power supply unit	External PSU in IPX7-rated housing

## Typical Power and Current

### *Exterior 50 Luminaire*

Calibrated RGB mode, RGBW Luminaire	4 W, 0.15 A at 30 VDC
Uncalibrated RGBW mode, RGBW Luminaire	6 W, 0.2 A at 30 VDC
Calibrated mode, white (CW, NW or WW) Luminaire	5.5 W, 0.2 A at 30 VDC
Uncalibrated mode, white (CW, NW or WW) Luminaire	6 W, 0.2 A at 30 VDC

### **Exterior 100 Luminaire**

Calibrated RGB mode, RGBW Luminaire . . . . .	12 W, 0.4 A at 30 VDC
Uncalibrated RGBW mode, RGBW Luminaire . . . . .	18 W, 0.6 A at 30 VDC
Calibrated mode, white (CW, NW or WW) Luminaire . . . . .	17 W, 0.6 A at 30 VDC
Uncalibrated mode, white (CW, NW or WW) Luminaire. . . . .	18 W, 0.6 A at 30 VDC

*Measurements made at nominal voltage with all LEDs at full intensity. Allow for a deviation of +/- 10%.*

### **Thermal**

Cooling . . . . .	Convection
Maximum ambient temperature ( <i>T<sub>a</sub> max.</i> ), except US model PSU for use in North America . . . . .	45° C (113° F)
Maximum ambient temperature ( <i>T<sub>a</sub> max.</i> ), US model PSU for use in North America . . . . .	40° C (104° F)
Minimum ambient temperature ( <i>T<sub>a</sub> min.</i> ) . . . . .	-40° C (-40° F)

### **Approvals**



EU safety . . . . .	EN 60598-1, EN 60598-2-1
EU EMC . . . . .	EN 55103-1, EN 55103-2, . . . . . EN 61000-3-2, EN 61000-3-3
US safety (applies to system with US model PSU). . . . .	UL 1310, 1598, UL 8750

### **Included Items**

#### ***Included with Luminaire***

- 3 m (9.8 ft.) luminaire hybrid cable (pre-installed)
- Adjustable mounting bracket

#### ***Included with Splitter***

- Blanking plug for sealing unused luminaire cable gland
- Blanking plug for sealing unused hybrid cable gland
- DMX line terminators

#### ***Included with PSU***

- Blanking plug for sealing unused data cable gland
- Two blanking plugs for sealing unused mains power or hybrid cable glands
- DMX line terminators
- User manual

### **Accessories**

Exterior 50 & 100 Infrared Remote Control Unit. . . . .	P/N 90510210
Exterior 50 light shield, narrow . . . . .	P/N 90510270
Exterior 50 light shield, medium . . . . .	P/N 90510280
Exterior 50 light shield, wide. . . . .	P/N 90510290
Exterior 100 light shield, narrow . . . . .	P/N 90510240
Exterior 100 light shield, medium . . . . .	P/N 90510250
Exterior 100 light shield, wide. . . . .	P/N 90510260
Exterior 50 & 100 standard mounting post. . . . .	P/N 90510310
Exterior 50 & 100 telescopic mounting post. . . . .	P/N 90510300

Exterior 50 & 100 ground stake . . . . .P/N 90510320  
 IP68 Sealing compound set (for use with Splitters) . . . . .P/N 90510220  
 Gel-sealed cable connection box kit incl. cable  
     glands and 4-way terminal block . . . . .P/N 90510230  
 Exterior 50 & 100 Luminaire hybrid cable extension,  
     10 m (32 ft.), incl. Gel-sealed cable connection box kit . . . . .P/N 90510200  
 Exterior 50 & 100 Splitter link hybrid cable, 25 m (82 ft.) . . . . .P/N 90510170  
 Exterior 50 & 100 Splitter link hybrid cable, 50 m (164 ft.) . . . . .P/N 90510180  
 Exterior 50 & 100 Splitter link hybrid cable, 100 m (328 ft.) . . . . .P/N 90510190

*Hybrid cables carry both power and data*

## **Related Items**

Martin M-PC™ Pro (up to 64 DMX universes) incl. USB Duo™ . . .P/N 90732010  
 Martin M-PC™ Basic (up to 8 DMX universes) incl. USB Duo™ . .P/N 90732070  
 Martin USB Duo™ USB/DMX interface box . . . . .P/N 90703010  
 Martin DABS 1™ USB/DMX interface box including  
     Martin MUM™ Windows application . . . . .P/N 90758090

## **Spare Parts**

3.15 AT (slow-blow) primary fuse  
     for Exterior 50 & 100 PSU, EU model . . . . .P/N 05020013  
 2.5 AT (slow-blow) primary fuse for Exterior 50 & 100 Splitter. . . .P/N 05020010



## Ordering Information

Exterior 50 & 100™ PSU (Power Supply Unit), EU model . . . . .	P/N 90510150
Exterior 50 & 100™ PSU (Power Supply Unit), US model . . . . .	P/N 90510155
Exterior 50 & 100™ Splitter . . . . .	P/N 90510160
Exterior 50™ IP68 RGBW, Medium . . . . .	P/N 90510080
Exterior 50™ IP68 CW, Narrow . . . . .	P/N 90510090
Exterior 50™ IP68 CW, Medium . . . . .	P/N 90510100
Exterior 50™ IP68 NW, Narrow . . . . .	P/N 90510110
Exterior 50™ IP68 NW, Medium . . . . .	P/N 90510120
Exterior 50™ IP68 WW, Narrow . . . . .	P/N 90510130
Exterior 50™ IP68 WW, Medium . . . . .	P/N 90510140
Exterior 100™ IP68 RGBW, Narrow . . . . .	P/N 90510000
Exterior 100™ IP68 RGBW, Medium . . . . .	P/N 90510010
Exterior 100™ IP68 CW, Narrow . . . . .	P/N 90510020
Exterior 100™ IP68 CW, Medium . . . . .	P/N 90510030
Exterior 100™ IP68 NW, Narrow . . . . .	P/N 90510040
Exterior 100™ IP68 NW, Medium . . . . .	P/N 90510050
Exterior 100™ IP68 WW, Narrow . . . . .	P/N 90510060
Exterior 100™ IP68 WW, Medium . . . . .	P/N 90510070

*CW = Cool White, NW = Neutral White, WW = Warm White*



### Disposing of this product

Martin Professional products are supplied in compliance with Directive 2002/96/EC of the European Parliament and of the Council of the European Union on WEEE (Waste Electrical and Electronic Equipment), as amended by Directive 2003/108/EC, where applicable.

Help preserve the environment! Ensure that this product is recycled at the end of its life. Your supplier can give details of local arrangements for the disposal of Martin products.





**Martin**<sup>®</sup>

---

[www.martin.com](http://www.martin.com) • Olof Palmes Allé 18 • 8200 Aarhus N • Denmark  
Tel: +45 8740 0000 • Fax +45 8740 0010