

Inground 200 installation sleeve instruction note

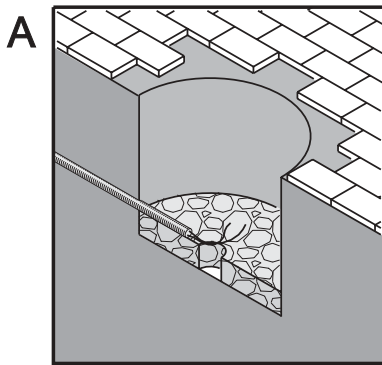
The Inground 200 installation sleeve is recommended for hardscape locations and all locations with pedestrian and/or vehicle traffic. Sleeves are supplied in either flush or bevelled mount models. The flush mount model is recommended for areas with traffic.

Warning! Ensure that supply cables cannot be connected to AC power during installation.

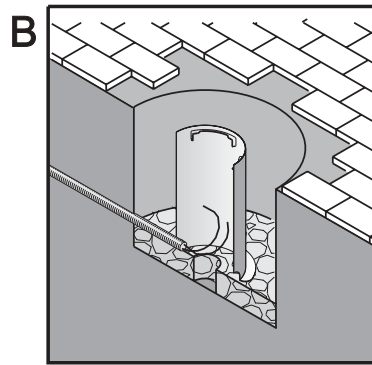
The sleeve is supplied with instructions, 3 clamps, a steel cover/guide plate for use while filling the sleeve, and filling material (oven-dried fine sand).

Installing the sleeve

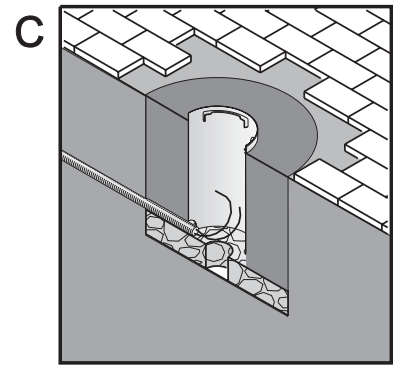
To install the Inground 200 in an installation sleeve:



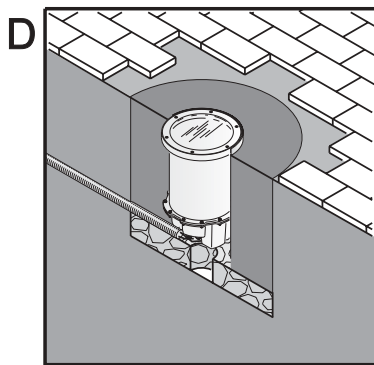
Prepare the groundwork. Test to ensure adequate drainage. Ensure that the foundation will withstand loads on the fixture (from vehicles, for example).



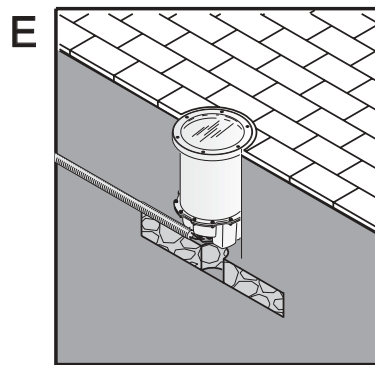
Put the sleeve in position. Cutouts are provided for cable conduit. Place a straightedge across the top of the sleeve and adjust height so that the sleeve will be flush with the finished surrounding surface.



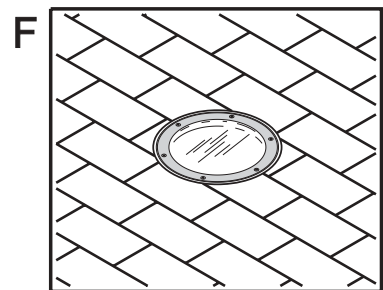
Fill around the sleeve. Hardcore and/or concrete are suitable.



Install the fixture in the sleeve (see instructions on next page).



Finish the surface around the fixture (flush mount model illustrated).



The finished installation.

Installing the Inground 200 in the sleeve

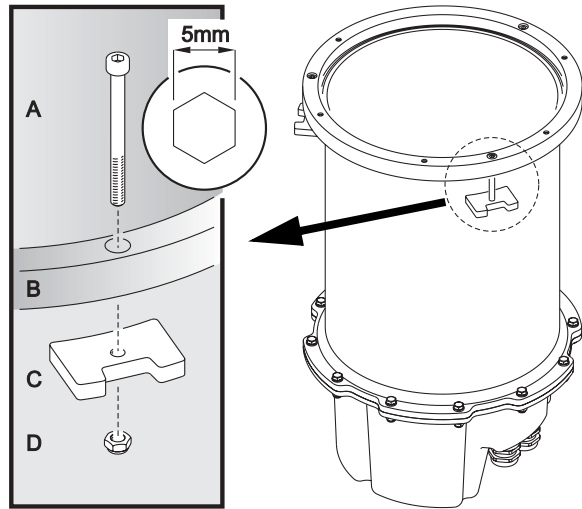
This procedure must be carried out by an authorized electrician.

Ensure that cables cannot be connected to AC power during installation.

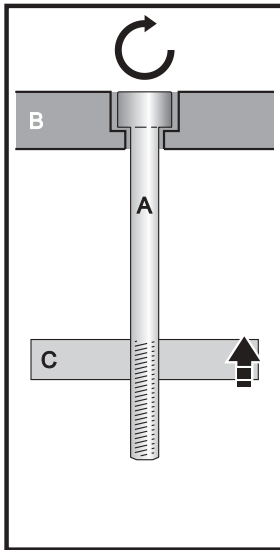
Use of a vacuum cleaner is recommended for some parts of this procedure.

To install the Inground 200 in an installation sleeve:

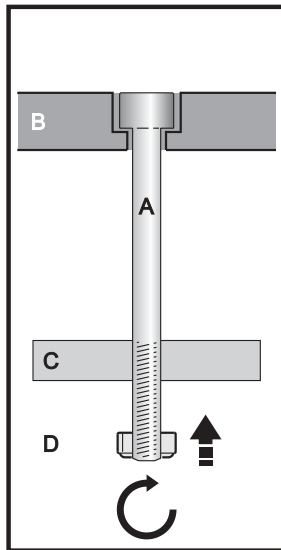
1. Remove the Inground 200's front glass, lens and lamp module as described in the Installation Guide.
2. Place the fixture next to the installation sleeve. Connect cables, tighten cable glands and tighten any blanking plugs used as described in the Installation Guide.



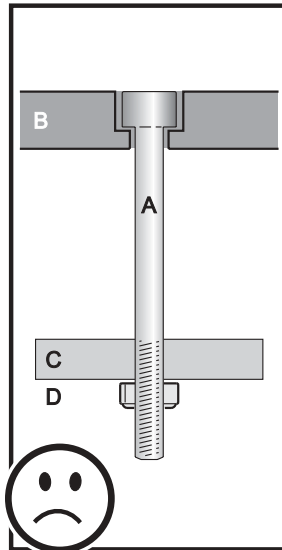
The installation sleeve is supplied complete with 3 clamps to hold the fixture in the sleeve (see illustration above). Clamp the Inground 200 into the sleeve as described below:



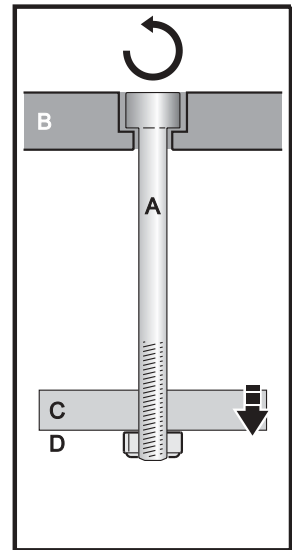
3. Pass a 5mm Allen cap clamp bolt (A) through one of the three recessed holes in the top of the housing (B) and screw the bolt through a clamp block (C).



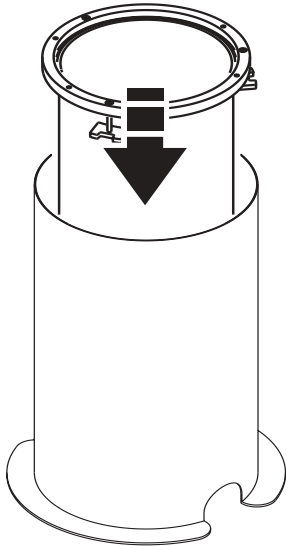
4. Screw a self-locking retaining nut (D) onto the end of the clamp bolt until the nut is flush with the end of the bolt.



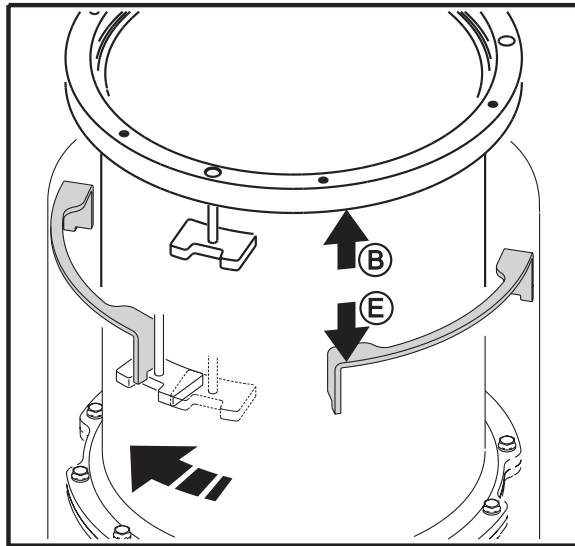
5. Do not screw the nut any further up the bolt.



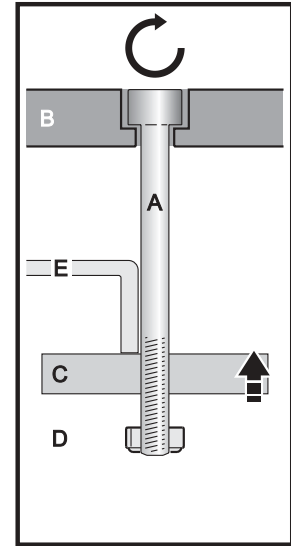
6. Unscrew the bolt back up through the clamp block until the retaining nut touches the clamp block.



7. Holding the Inground 200 by the inside rim of the housing, begin lowering it into its sleeve.



8. As you lower the Inground 200, ensure that the clamp blocks (C) pass between the fins in the sleeve so that the outer rim (B) sits on the fins (E). Then rotate the Inground 200 so that the clamp blocks locate under the fins.

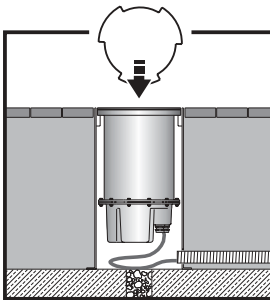


9. Tighten the three clamp bolts (A) finger tight only.

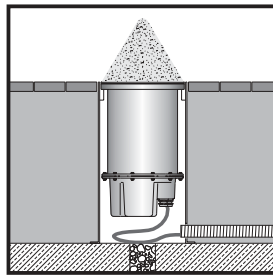
10. Screw on the trim ring to center the fixture in the sleeve, then remove the trim ring again and fully tighten the clamp bolts (A)

Ensure that the Inground 200 is correctly centered in the sleeve and that the front glass seal seats correctly before adding fill material.

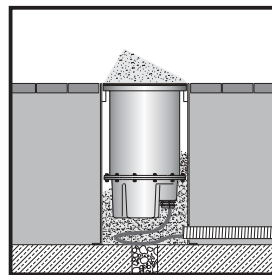
11. With the fixture installed and clamped in place, fill the remaining space in the installation sleeve with the fine sand supplied with the sleeve as described below:



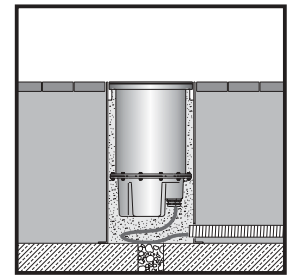
12. Put the plate supplied with the installation sleeve on the Inground 200. Rotate the plate so that sand can run through the three cutouts into the bottom of the sleeve..



13. Tip sand onto the plate and guide it down between the cutouts in the plate and into the sleeve.



14. Fill as much sand as possible into the sleeve. When the sleeve appears full, water poured into the sleeve can help the sand settle. Add sand as necessary.



15. Remove remaining sand from the plate, preferably with a vacuum, and remove it. Remove any sand from inside the fixture and from the top glass sealing surface.

If any other fill material is used, make sure it conducts heat away from the Inground 200. Do not use lightweight aggregates or other insulative materials for filling, since these will encourage overheating.

The Inground 200 is now ready for internal components to be installed as described in the Installation Guide and product manuals.

Installation sleeve specifications

Dimensions

Height 600mm (23.6 in.)
External diameter of tube 330mm (13 in.)
Base flange diameter 410mm (16.2 in.)

Construction

Acid-resistant stainless steel

Weight-bearing capacity

Installation sleeve with suitable groundwork 5000kg (11,023lb)

Included items

Instruction note P/N 35000566
Clamp set (3 x 5mm M6 Allen hex cap clamp bolts, 3 x clamp blocks, 3 x 10mm M6 self-locking nuts)
Sleeve fill guide/cover plate
40kg (88 lb.) rinsed and oven-dried beach sand

Ordering information

Installation sleeve, bevelled mount P/N 91611194
Installation sleeve, flush mount P/N 91611215

Installation sleeve instruction note: p/n 35000566
©Martin Achitectural 2005