

# Exterior 1200IP Optional Lens Kit Installation

1. This installation note describes the procedure for replacing the lenses in the Exterior 1200 Image Projector. This task requires a 6 mm Allen wrench and a torx 20 screwdriver.
2. Disconnect the fixture from power and allow to cool.
3. Before installing a new lens kit or changing optical components, move the zoom and focus cars to lens change positions by applying the command "Manual → Optical → Change Pos" in the onboard control menu.
4. Open up the fixture as described in the user manual. Locate the focus lens (A), zoom lens (B) and front lens as shown in Fig.A.
5. Remove the lenses using a torx 20 driver as shown in Figs. B and C and install new lenses.
6. Reassemble the fixture respecting the procedure and torque settings given in the user manual before applying power.

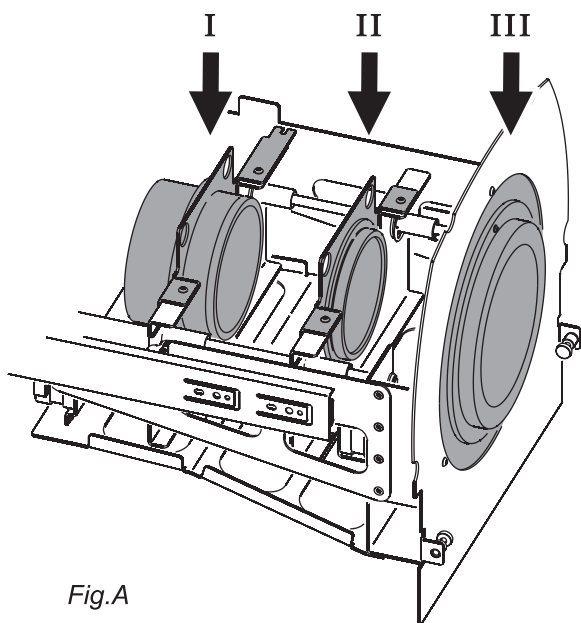


Fig.A

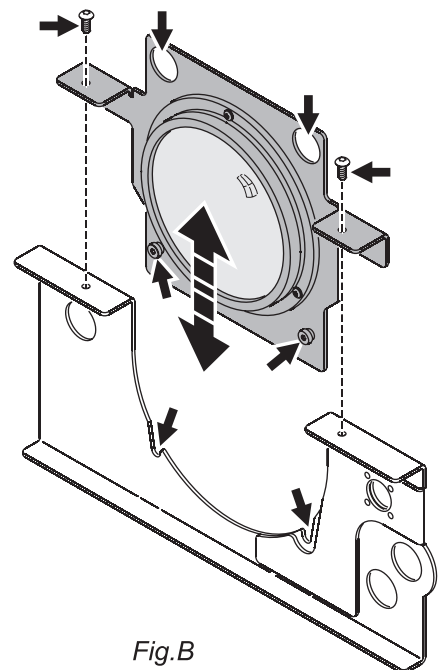


Fig.B

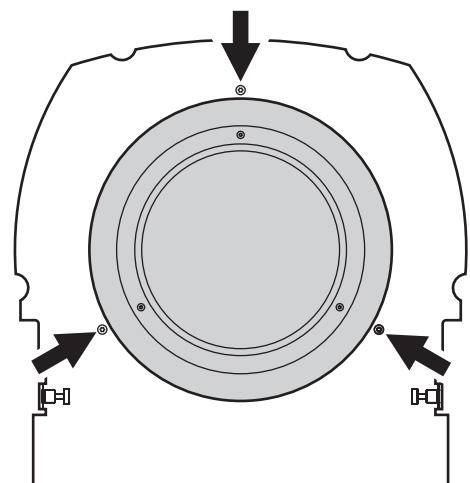


Fig.C

Lens part numbers:

	I	II	III	
	Focus	Zoom	Front	Lens Kit
Narrow	41203042	41203041	41203040	91610083
Medium	41203051	41203050	62400567	91610084
Wide	41203062	41203061	41203060	91610085