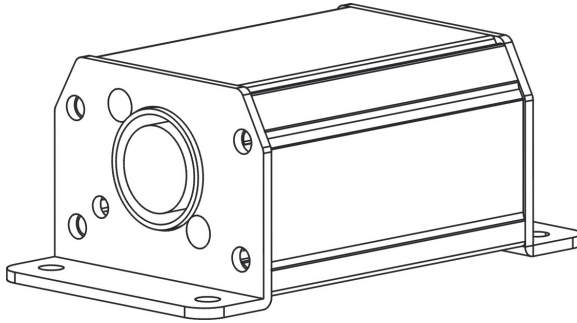


# SOFTWARE UPLOADER 1



## User Manual



Professional Entertainment Technology

© 2013 Martin Professional A/S. Information subject to change without notice. Martin Professional A/S and all affiliated companies disclaim liability for any injury, damage, direct or indirect loss, consequential or economic loss or any other loss occasioned by the use of, inability to use or reliance on the information contained in this manual. The Martin logo, the RUSH by Martin logo, the RUSH by Martin name, the Martin name and all other trademarks in this document pertaining to services or products by Martin Professional A/S or its affiliates and subsidiaries are trademarks owned or licensed by Martin Professional A/S or its affiliates or subsidiaries.

Manual: Revision B

# Table of contents

Safety information .....	4
Introduction .....	4
Installing the software application .....	5
Using the DMX interface .....	7
Using the firmware uploader .....	8
Service and repairs .....	9
Specifications .....	10

## Safety information



**WARNING!**  
**Read the safety precautions in this manual before installing, powering, operating or servicing this product.**

The following symbols are used to identify important safety information on the product and in this manual:



This product is for professional use only. It is not for household use. Read this manual before using the product, follow the safety precautions listed below and observe all warnings in this manual and printed on the product. Keep this manual for future use. If you have questions about how to operate the product safely, please contact your RUSH by Martin™ dealer or call the Martin™ 24-hour service hotline on +45 8740 0000, or in the USA on 1-888-tech-180.



Do not allow the product to become wet or damp.  
Do not modify the product in any way or use it in any way not described in this manual.

Refer any service operation not described in this manual to a qualified technician.

## Introduction

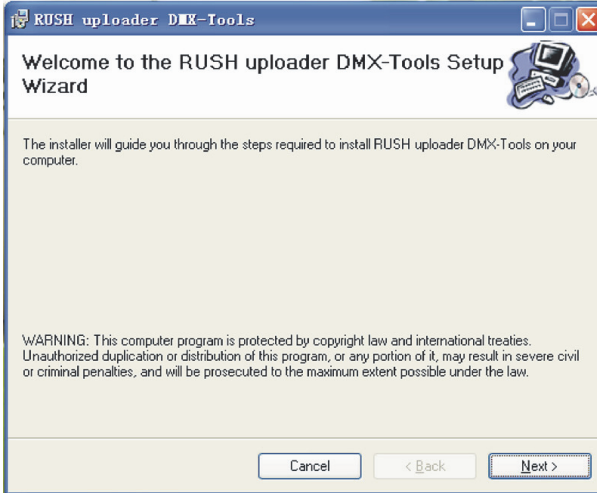
The RUSH SOFTWARE UPLOADER 1 is a USB-connectable hardware device and DMX Tools software application that can be used to update the firmware on RUSH by Martin™ lighting fixtures. Firmware update files can be downloaded from the RUSH product support pages on the Martin Professional website at [www.martin.com](http://www.martin.com) and uploaded to a fixture from a Windows PC. The application includes a simple 512-channel DMX control interface.

Before using the product for the first time, unpack and ensure that there is no transportation damage before using the product. The product includes:

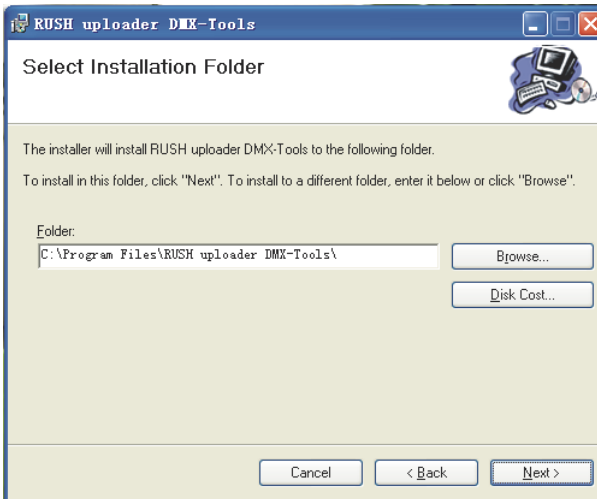
- SOFTWARE UPLOADER 1 hardware device
- 1 x USB cable
- 1 x software CD

# Installing the software application

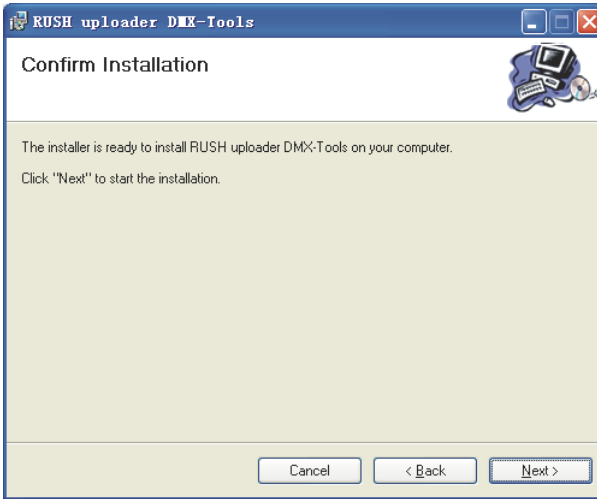
1. Insert the CD into a Windows PC.
2. Locate the SETUP.EXE file using Windows Explorer and double-click on the file to start installation of the *RUSH Uploader DMX-Tools* application software.



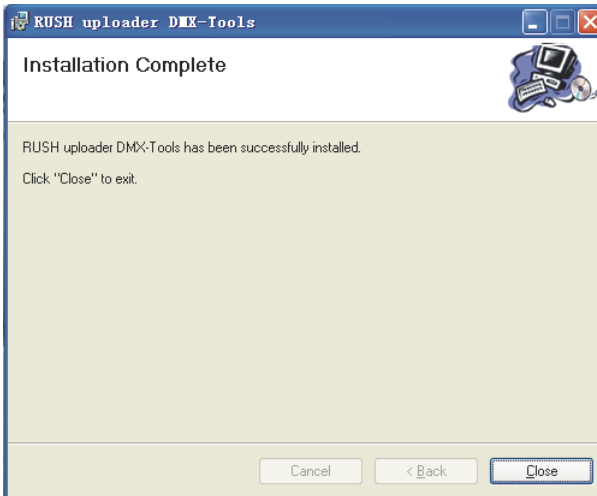
3. Click **Next**.



4. Accept the default installation directory, or browse to specify another one.
5. Click **Next**.



6. Click **Next** to start the installation process.

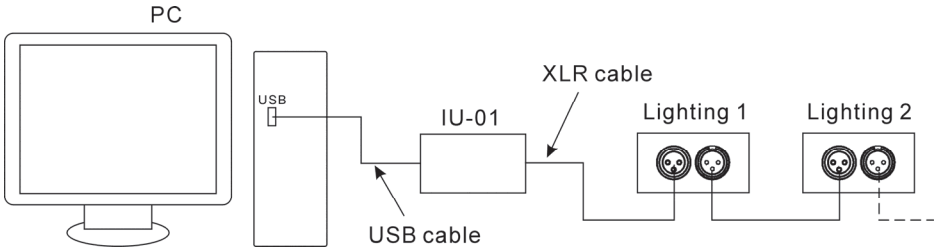


7. The installation process is complete. Click **Close** to exit the installation program.

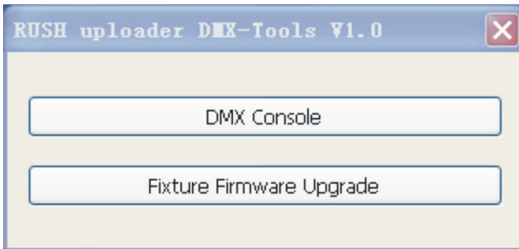
The RUSH Uploader DMX Tools application can also be downloaded from the RUSH SOFTWARE UPLOADER 1 product support page on the Martin Professional website at [www.martin.com](http://www.martin.com)

# Using the DMX interface

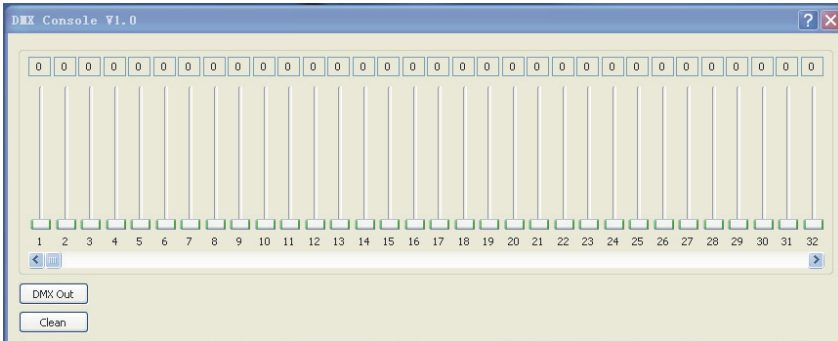
1. Use the USB cable to connect the SOFTWARE UPLOADER 1 device to a personal computer that has the *RUSH Uploader DMX-Tools* application software installed on it.
2. Connect the SOFTWARE UPLOADER 1 device (IU-01) to lighting fixtures via a DMX network.



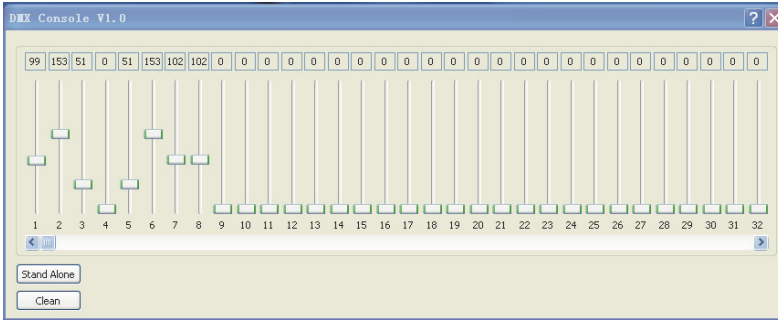
3. Start the *RUSH Uploader DMX-Tools* application.



4. Click **DMX Console**. The red LED signal indicator on the SOFTWARE UPLOADER 1 unit will light up and the DMX console window will appear:



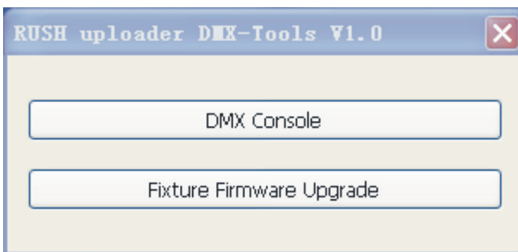
- Click **DMX Out** to start sending DMX output. The LED signal indicator on the SOFTWARE UPLOADER 1 unit flashes green. Use the sliders on any of the 512 available channels to adjust DMX values.



- To clear all settings, click **Clean**. To stop emitting DMX signals, click **Stand Alone** (the LED signal indicator LED on the SOFTWARE UPLOADER 1 unit will stop flashing green).

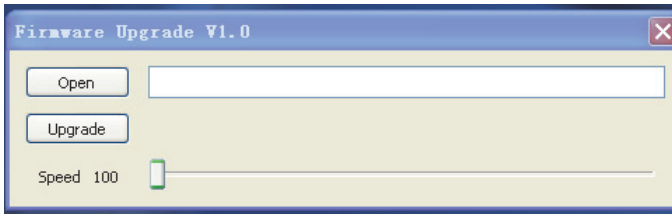
## Using the firmware uploader

- Download and save the latest firmware file for the RUSH fixture from the product support page for the fixture on the Martin Professional website at [www.martin.com](http://www.martin.com)
- Use the USB cable to connect the SOFTWARE UPLOADER 1 device to a personal computer that has the *RUSH Uploader DMX-Tools* application software installed on it.
- Connect the SOFTWARE UPLOADER 1 device to the fixture to be updated using a DMX cable (not supplied) with a 3-pin XLR male connector. Power the fixture on.
- Start the *RUSH Uploader DMX-Tools* application.





5. Click **Fixture Firmware Upgrade**.



6. Click **Open** and select the firmware file that you have downloaded for the fixture.
7. Click **Upgrade** to update the firmware in the connected fixture.

You can upload firmware to a number of fixtures that are connected on a DMX link at the same time.

If you experience problems when uploading to a number of fixtures, data may have been corrupted. Use the **Speed** slider to reduce upload speed until data transfer is stable.

## Service and repairs

There are no user serviceable parts inside the fixture. Do not open the housing.

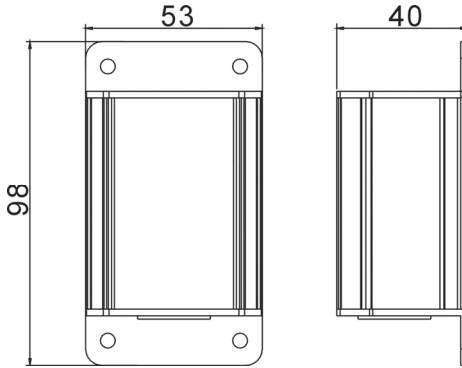
Never try to repair the fixture by yourself as this may result in damage, malfunction and it may potentially void your product warranty. The equipment must only be serviced or repaired by an authorized RUSH by Martin service technician.

Installation, on-site service and maintenance can be provided worldwide by the Martin Professional Global Service organization and its approved agents, giving owners access to Martin's expertise and product knowledge in a partnership that will ensure the highest level of performance throughout the product's lifetime. Please contact your RUSH by Martin supplier for details.

# Specifications

## Physical

Weight..... 0.2 kg (0.4 lbs.)  
Dimensions (W x H x D)..... 98 x 53 x 40 mm (3.9 x 2.1 x 1.6 in.)



## System Requirements

Operating system..... Microsoft Windows

## Construction

Housing..... Aluminum

## Installation

Location..... Indoor use only

## Connections

Windows PC ..... USB 2.0  
Data link to fixture ..... 3-pin XLR

## Included Items

CD with RUSH Uploader DMX Tools application  
USB cable

*Specifications are subject to change without notice. For the latest product specifications, see [www.martin.com](http://www.martin.com)*



### **Disposing of this product**

RUSH by Martin™ products are supplied in compliance with Directive 2012/19/EC of the European Parliament and of the Council of the European Union on WEEE (Waste Electrical and Electronic Equipment), where applicable. Help preserve the environment! Ensure that this product is recycled at the end of its life. Your supplier can give details of local arrangements for the disposal of RUSH by Martin products



Innovation • Quality • Performance