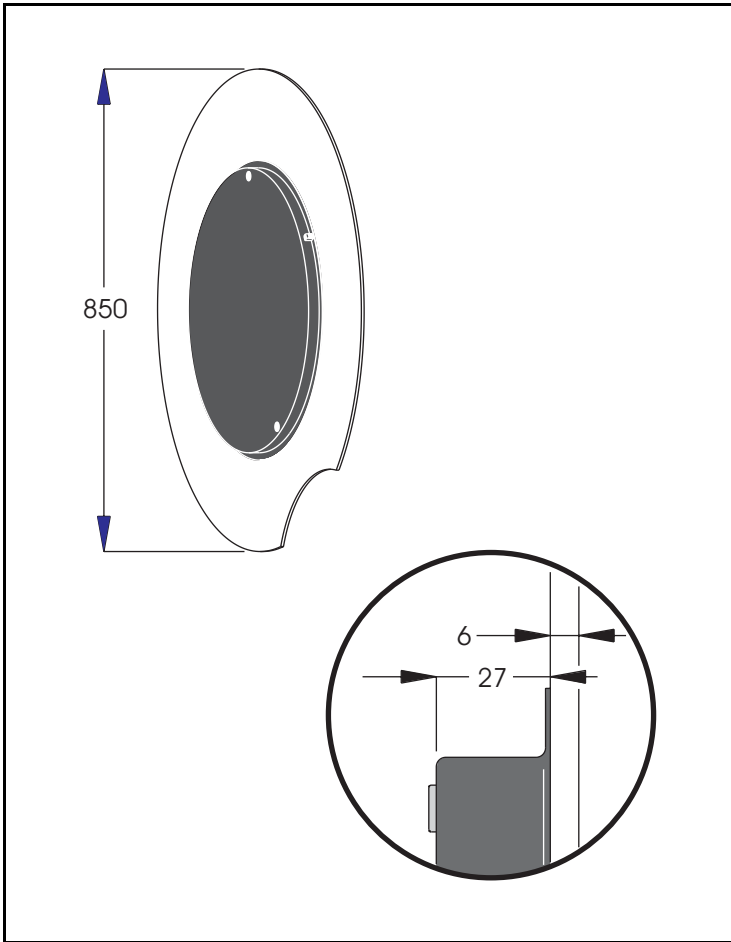


ViroSphere

user manual

Mach 

All measurements are in millimeters:<



© 2002 Martin Professional A/S, Denmark.

All rights reserved. No part of this manual may be reproduced, in any form or by any means, without permission in writing from Martin Professional A/S, Denmark.

NXT is a trade mark of New Transducers Limited

Printed in Denmark.

P/N 35020004, Rev A

INTRODUCTION

Thank you for selecting the Mach ViroSphere. The ViroSphere is a circular flat panel speaker designed for indoor venues where professional high quality in-fill sound is required.

ViroSphere offers a "disguised" solution to delivering sound, useful in applications where elegant atmospheric audio is needed. The ViroSphere uses unique flat panel loudspeaker technology that has been designed with very light, extremely thin materials. The panels therefore offer a uniform dispersion, which blends in extremely well with the sounds of the surrounding environment.

Four exciters mounted on carefully calculated positions on the back of the panel vibrate the panel and generate the sound which, compared to conventional loudspeakers, provide a linear decrease in sound pressure, which results in a very uniform sound pressure throughout the venue.

ViroSpheres can be supported either by the Mach ViroSub sub-woofer or by the bass output from a main PA in the installation.

Features

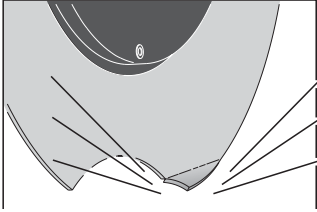
- Wall mountable, plus many other mounting options with the broad range of Viro mounting accessories
- Light reflecting capability
- Sturdy mechanical cabinet
- Based on NXT* technology
- Patented board material laminate

Safety information

Read this manual before powering or installing the fixture, follow the safety precautions listed below and observe all warnings in this manual and on the fixture. If you have questions about how to operate the fixture safely, please contact your Mach dealer or call the Martin Professional 24-hour service hotline at +45 70 200 201.

- Do not install the fixture outdoors.
- Do not open the fixture. There are no user-serviceable parts inside.
- When installing the fixture above ground level, verify that the structure can hold at least 10 times the weight of all installed devices.
- Block access below the work area whenever installing or removing the fixture.
- Do not modify the fixture or install other than genuine Mach parts.
- Refer all service to a Mach service technician.

Warning *Ensure that the ViroSphere is not dropped as it can be easily damaged.*

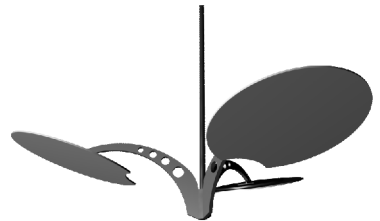
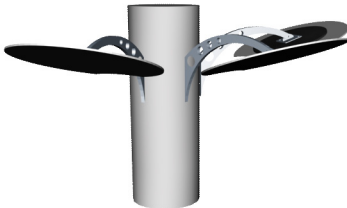


INSTALLATION

This section describes in general terms how to mount the fixture and connect it to an amplifier. These procedures shall be performed by qualified professionals.

Viro installation accessories

In addition to simple wall mounting, the range of Viro mounting accessories enable the ViroSphere to be installed in a myriad of ways. Here are some examples:



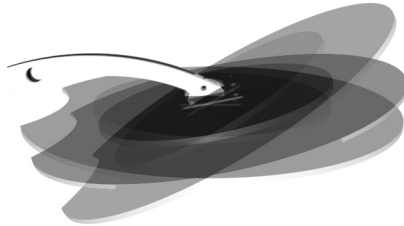
Consult your Mach dealer for information about the range of currently available mounting accessories.

Wall mounting

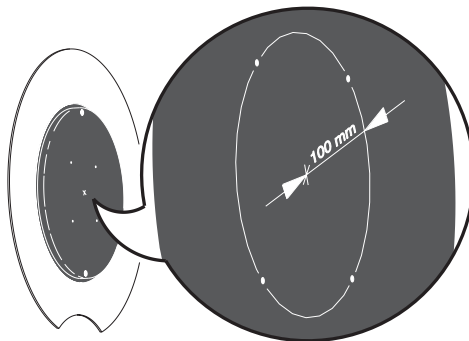
The ViroSphere can be hung on a wall like a picture by using a screw and one of the two holes at the back of the fixture.

Use of a mounting bracket

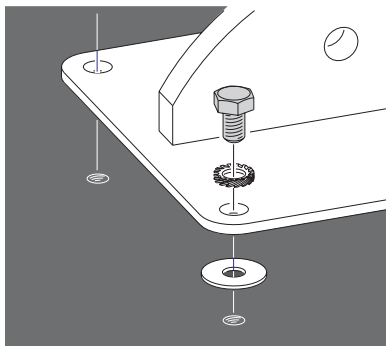
The ViroSphere can be placed on a mounting bracket (a Viro bracket, or one from another manufacturer).



Mounting holes are located at the four points of a square located inside a 100 mm radius circle from the center of the ViroSphere.



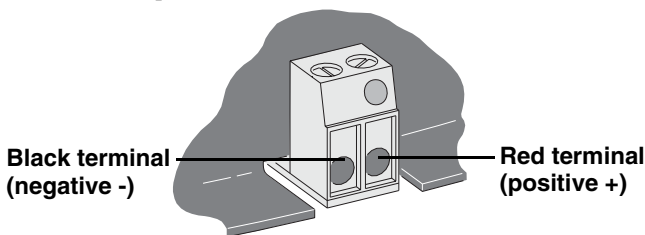
A mounting bracket can be attached using four M6 x 10 screws and rubber spacers (to prevent vibration during operation).



Connections

Always use high quality speaker cables. Poor cables will reduce the sound quality and the reliability of the amplifier and speakers.

The ViroSphere is easily connected to an amplification system through the cable terminal. For correct polarity always ensure that the positive terminal (red or +) on the amplifier is connected to the positive terminal on the speaker. Likewise, make sure that negative terminal (black or -) on the amplifier is connected to the negative terminal on the speaker.



Note: *If one speaker is operated in reverse polarity, the result is a strong decrease in bass output and lack of focus in the mid/high frequencies.*

Operation with a ViroSound sub woofer

For additional sub-bass output, the ViroSphere can be supported by the ViroSound sub woofer. This sub woofer features a stereo amplifier, which enables it to power two ViroSpheres.

Note that only one ViroSphere can be connected to each output channel.

The ViroSound sub woofer can be ordered from your Mach dealer.

OVERLOAD PROTECTION

The ViroSphere contains a protection circuit that reduces the current to the panel when the sound pressure is so high as to be damaging.

The audible result is a decrease in the output from the ViroSphere. If this happens, do not increase the high frequency level on the EQ or the tone control on the mixer, as this might cause damage to the panel. At this time the panel has reached its maximum power handling and if higher output is required, more or larger speakers are needed.

When volume is decreased and current returns to a safe level, the protection circuit automatically restores full signal to the panel and the audio output returns to normal.

SPECIFICATIONS

PHYSICAL

Diameter:	85 cm (33.5 in)
Panel depth:	33 mm (1.3 in)
Weight:	3.5 kg (7.7 lbs)
Color:	white

POWER

Peak power handling:	100 W
Power rating IEC26830W (24dB high pass filter / 240Hz)	30 W
Power rating IEC26830W (24dB high pass filter / 160Hz)	15 W
Max SPL, calculated long term:	100 dB
Sensitivity 1W/1m:	85 dB
Frequency range +/-4 dB:	160 Hz - 20 KHz

RECOMMENDED AMPLIFICATION

60W into 13 ohms (100 W into 8 ohms) / 24dB high pass filter / 240Hz

ORDERING INFORMATION

ViroSphere	P/N 93721001
----------------------	--------------

INCLUDED ITEMS

User manual:	P/N 35020004
------------------------	--------------

The logo for Mach features the word "Mach" in a bold, black, sans-serif font. A dark green triangle is positioned above the letter 'h', pointing downwards and to the right.

Mach

Martin Professional A/S
Olof Palmes Allé 18, DK 8200 Århus N, Denmark
Phone: +45 8740 0000, Fax: +45 8740 0010
URL: <http://www.martin.dk>