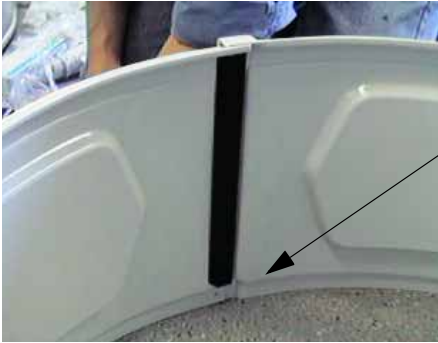


OUTDOOR PROTECTION DOME



Martin

Assembly Procedure



Triangle notch
points down

Reinforcement plate



L-shaped lip

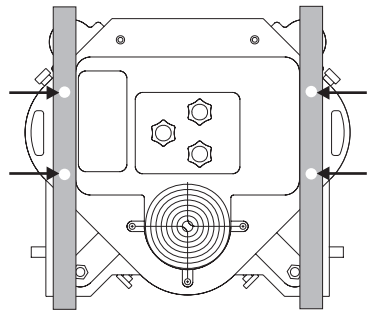
Leave top and bottom
holes free

Assembling the side plates

1. Remove the parts from the packing boxes.
2. Assemble the plastic side plates. Stand 2 plates with the L-shaped lip pointing up. Fit the plates together with the ends overlapping. Place a metal reinforcing plate behind the joints with the notch pointing down. Start 6 self-tapping screws (M4 x 10 mm) in each joint, leaving the top and bottom holes free. Make sure these holes are lined up as you tighten the screws.
3. Place an assembled set of side plates on a level surface. Sealing the polycarbonate dome with silicone is recommended, but not absolutely necessary if total disassembly of the Dome is required. If sealing, cut 20 to 25 mm off the end of the sealant applicator tip. Apply a heavy bead (about 7 mm) of sealant in the corner of the L-shaped lip.
4. Line up the holes in the rim of the polycarbonate dome with the holes at the top of the side plates and set the dome on. Place rubber grommets at the 4 screw holes between the

dome and the side plates. Insert screws (M4 x 20 mm). From inside, put a washer and thumb nut on the screws and hand tighten. If the nuts are hard to start behind the reinforcing plates, the washers may be omitted.

5. To lengthen the Dome for use with the MAC 1200 or PAL 1200, place the upper section on an assembled set of side plates. Rotate the upper section so that the reinforcing plates are offset 1/4 turn from the reinforcing plates in the lower section. Insert M4 x 20 mm screws in the 4 holes. Place a washer and hex nut on each screw and tighten. Repeat to lengthen the Dome for use with the PAL 1200.
6. There are two ways to lead the power and control cables into the bottom of the base: through the square hole or the smaller slot. For temporary installations, use the square hole for easier access. The slot may provide a more secure cable lead for permanent installation. If the slot is used, remove a side plate from the base assembly in order to pass the power and control cables through the slot. Feed the control cable up through the peanut-shaped ventilation hole to the top of the base section.
7. Reach inside the base and plug the power cable into the male power connector. This connector feeds power to the cooling fan as well as the socket on the base.
8. Mount the base in position. The Dome may be secured through 4 holes in the base. Make sure that the air vents are not obstructed and that air can circulate in and out. Do not locate the Dome in low spots where water can collect.
9. If the Dome is to be used with a PAL 1200, attach 2 ventilation-spacer bars, included, to the base of the PAL. Remove the 4 bolts indicated and place the bars on the base as shown, with the shorter length facing the front. Fasten each bar with 2 M6 x 35 mm Allen-head bolts.
10. Plug the fixture power cable into the base. Place the fixture on the base. Make sure the base ventilation holes are not blocked.
11. PAL 1200 Dome only: Orient the PAL so that the back of the fixture faces the square ventilation hole.
12. MAC 500/600 Dome only: Align the base of the MAC with the raised mounting plate. Lock the MAC to the base by inserting the quarter-turn fasteners into the MAC base and turning them a full quarter turn clockwise.
13. Remove the 4 screws - located every 90 degrees around the top - from the base. Place the upper section on the base. Rotate the upper section until the joints are offset 1/4 turn from the joints in the base. Replace the 4 screws and tighten.



Safety Precautions

- Do not place the Dome where water can build up.
- Always stand the Dome vertically with the clear plastic dome on top. The Dome is not designed to be used in any other position.
- Make sure the base air vents are not blocked.
- Do not paint or cover the Dome, or in any way block the light path.
- Always connect the Dome to mains power as specified on the serial number label.
- Use only undamaged cables rated for outdoor use.
- Do not disassemble the base. There are no user-serviceable parts inside.

Specifications

- IP Rating: IP 44
- PAL 1200 Dome Power and Current:160 W, 0.7 A at 230 V/50 Hz
- MAC 1200 Dome Power and Current:160 W, 0.7 A at 230 V/50 Hz
- MAC 500/600 Dome Power and Current:105 W, 0.5 A at 230 V/50 Hz
- AC Voltage and Frequency: 230 V, 50-60 Hz
- Diameter: 880 mm
- PAL 1200 Dome Height, Weight: 1740 mm, 55 kg
- MAC 1200 Dome Height, Weight: 1380 mm, 53 kg
- MAC 500/600 Dome Height, Weight: 1020 mm, 52.5 kg