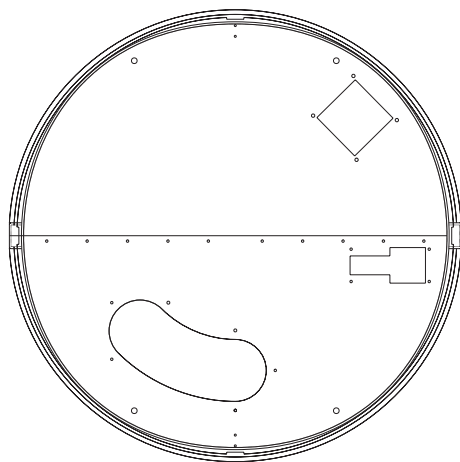
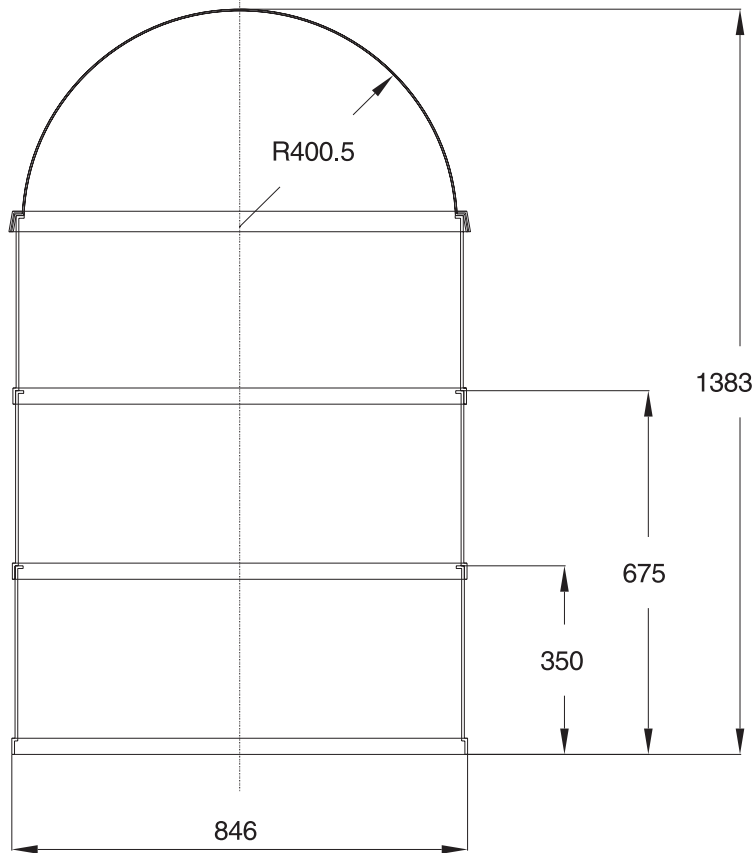


<b>Martin</b>		<b>Weight (kg)</b> -----	
Product <b>MAC 500/600 DOME</b>	Scale ~	Date <b>05/09-97</b>	Sign. <b>NJR</b>
Description <b>Dimensions in mm</b> -----			
		P/N	<b>980405</b>



<b>Martin</b>		Weight (kg)	
		----	
Product	MAC 1200 DOME	Scale	~
		Date	05/09-97
		Sign.	NJR
Description			
Dimensions in mm			
-----		P/N	980400