

MAC Aura Soft Lens Installation Guide

Safety information



Warning! Read the following information carefully before installing the Soft Lens accessory. Follow all the safety precautions in the fixture's user documentation and this guide. Documentation is supplied with fixtures, but check that you have the latest revisions (available for download from the fixture's Product Support page at www.martin.com).



Warning! Accessories must be installed by qualified professional technicians only. Disconnect the fixture from power and allow to cool before starting work.

If you have any questions about how to install this or any Martin™ product or use it safely, please contact your local Martin Professional™ distributor (see www.martin.com/distributors for details) or call the Martin™ 24-hour service hotline on +45 8740 0000, or in the USA on 1-888-tech-180.

Important! Do not use concentrated alcohol solutions, abrasive products or solvents to clean lens accessories. If wiping with a soft, lint-free cloth dampened with distilled water is not effective, dampen the cloth with distilled water containing 20% isopropyl alcohol in solution.

General

The MAC Aura Soft Lens accessory, P/N 91611730, is a diffuser lens in a mounting ring that can be mounted on a Martin MAC Aura™ or MAC Aura XB™ fixture to soften the fixture's beam. A MAC Aura or Aura XB with the Soft Lens accessory installed will fit into the Martin MAC Aura / Aura XB flightcase without problem.

This guide explains how to install the Soft Lens. Installation should take less than two minutes.

It is possible to remove and reinstall the Soft Lens. Keep the mounting screws for reuse if you uninstall the Soft Lens and take care not to damage threads during reinstallation.

The MAC Aura Soft Lens package contains the following items:

- Soft diffuser lens in mounting ring
- Four 2.9 x 16 self-threading screws with Torx 10 head
- This Installation Guide

Installation

To install the Soft Lens on a Martin MAC Aura or MAC Aura XB fixture:

1. Disconnect the fixture from power and allow it to cool.
2. Check that the fixture is held securely or place it on a secure work surface.
3. See Figure 1. Line up the four unused screw holes in the Soft Lens assembly with the screw holes in the front of the fixture's head. Pass the four Torx screws (arrowed) supplied with the Soft Lens assembly through the holes in the assembly and into the holes in the front of the head. Use a Torx 10 driver to tighten the screws until the Soft Lens assembly is held securely. Do not overtighten the screws.

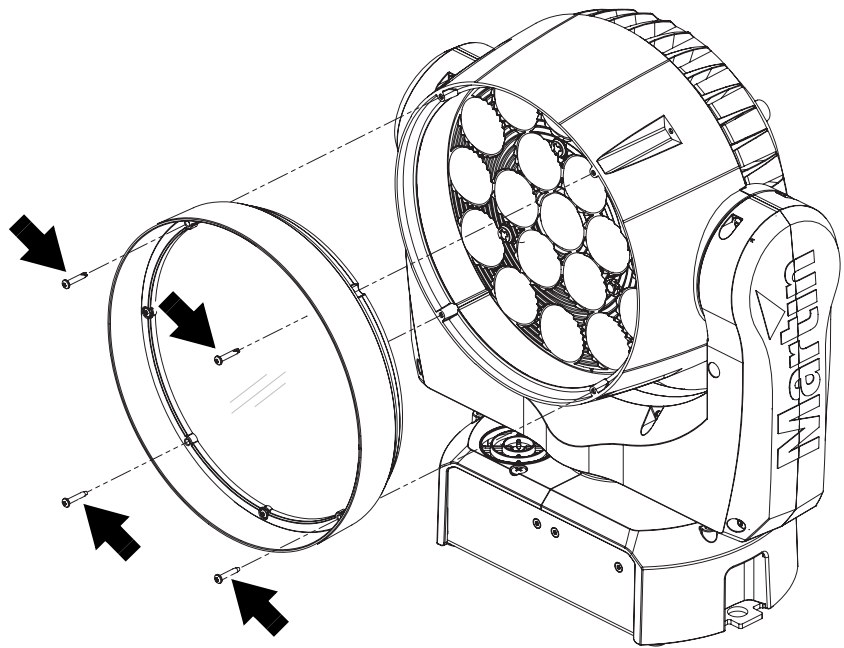


Figure 1: Overview

4. Be prepared for the fixture to light up and the head to move when you reapply power.

Specifications

Physical

External diameter	211 mm (8.3 in.)
Height	44 mm (1.8 in.)
Weight	130 g (4.6 oz.)

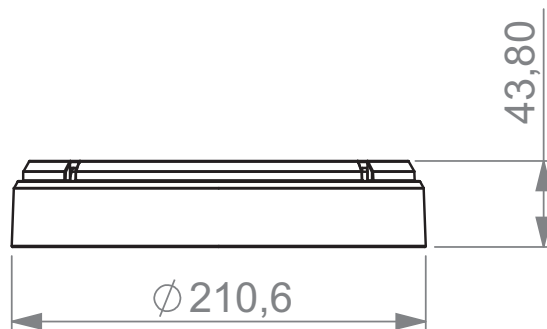


Figure 2: Dimensions



Martin Professional ApS • Olof Palmes Allé 18 • 8200 Aarhus N • Denmark
Tel: +45 8740 0000 • Fax +45 8740 0010 • www.martin.com