



The VC-Dot™ Aluminium Mounting Profiles enable the dots to be installed in a rugged and reliable way. The profiles and accessories are available in grey, black or customized colors.

An assembly consists of following elements:

- VC-Dot Pixel String
- VC-Dot Aluminium Mounting Profile
- VC-Dot Mounting Profile Cover
- VC-Dot Mounting Profile Endcap
- VC-Dot Mounting Profile Endcap with Cable Entry

CONSTRUCTION

Housing: Extruded and anodized aluminium
Color: Matt black, Matt grey or customized color

RELATED ITEMS

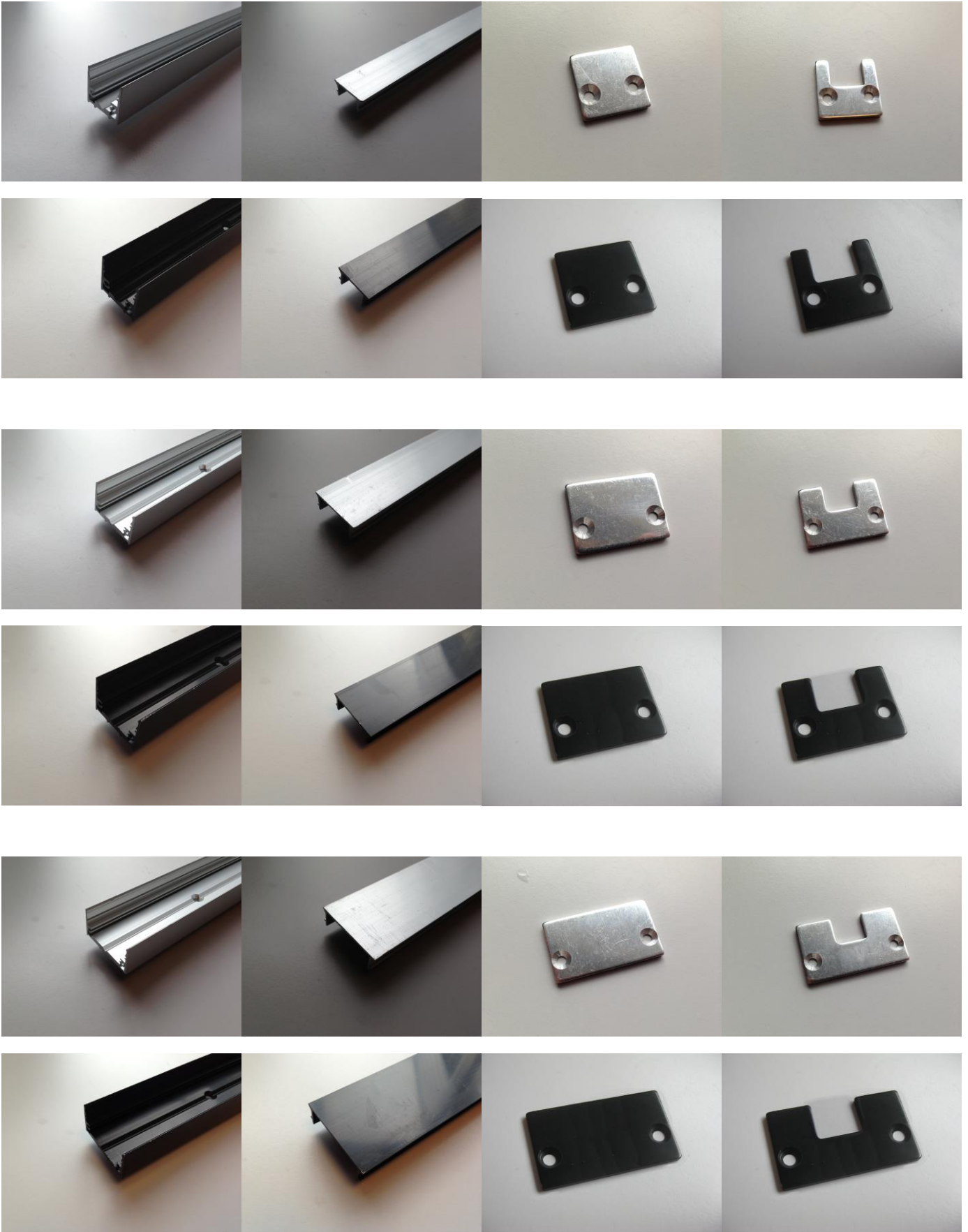
| | |
|--|--------------|
| VC-Dot 1™ RGB, 100 mm (3.9 in.) pitch, 100 pcs., 2 m (6.6 ft.) lead-in | P/N 90357060 |
| VC-Dot 1™ WW, 100 mm (3.9 in.) pitch, 100 pcs., 2 m (6.6 ft.) lead-in | P/N 90357090 |
| VC-Dot 1™ MW, 100 mm (3.9 in.) pitch, 100 pcs., 2 m (6.6 ft.) lead-in | P/N 90357080 |
| VC-Dot 1™ CW, 100 mm (3.9 in.) pitch, 100 pcs., 2 m (6.6 ft.) lead-in | P/N 90357070 |
| VC-Dot 4™ RGB, 200 mm (7.9 in.) pitch, 64 pcs., 2 m (6.6 ft.) lead-in | P/N 90357100 |
| VC-Dot 4™ WW, 200 mm (7.9 in.) pitch, 64 pcs., 2 m (6.6 ft.) lead-in | P/N 90357130 |
| VC-Dot 4™ MW, 200 mm (7.9 in.) pitch, 64 pcs., 2 m (6.6 ft.) lead-in | P/N 90357120 |
| VC-Dot 4™ CW, 200 mm (7.9 in.) pitch, 64 pcs., 2 m (6.6 ft.) lead-in | P/N 90357110 |
| VC-Dot 9™ RGB, 400 mm (15.7 in.) pitch, 36 pcs., 2 m (6.6 ft.) lead-in | P/N 90357140 |
| VC-Dot 9™ WW, 400 mm (15.7 in.) pitch, 36 pcs., 2 m (6.6 ft.) lead-in | P/N 90357050 |
| VC-Dot 9™ MW, 400 mm (15.7 in.) pitch, 36 pcs., 2 m (6.6 ft.) lead-in | P/N 90357160 |
| VC-Dot 9™ CW, 400 mm (15.7 in.) pitch, 36 pcs., 2 m (6.6 ft.) lead-in | P/N 90357150 |

ORDERING INFORMATION

| | |
|---|--------------|
| VC-Dot 1™ Aluminium Mounting Profile, Black, 2 m (6.6 ft.) | P/N 91611374 |
| VC-Dot 1™ Mounting Profile Cover, Black, 2 m (6.6 ft.) | P/N 91611375 |
| VC-Dot 1™ Mounting Profile End Caps, Black, set of 10 | P/N 91611376 |
| VC-Dot 1™ Mounting Profile Cable Entry End Caps, Black, set of 10 | P/N 91611377 |
| VC-Dot 1™ Aluminium Mounting Profile, Grey, 2 m (6.6 ft.) | P/N 91611386 |
| VC-Dot 1™ Mounting Profile Cover, Grey, 2 m (6.6 ft.) | P/N 91611387 |
| VC-Dot 1™ Mounting Profile End Caps, Grey, set of 10 | P/N 91611388 |
| VC-Dot 1™ Mounting Profile Cable Entry End Caps, Grey, set of 10 | P/N 91611389 |
| VC-Dot 4™ Aluminum Mounting Profile, Black, 2 m (6.6 ft.) | P/N 91611378 |
| VC-Dot 4™ Mounting Profile Cover, Black, 2 m (6.6 ft.) | P/N 91611379 |
| VC-Dot 4™ Mounting Profile End Caps, Black, set of 10 | P/N 91611380 |
| VC-Dot 4™ Mounting Profile Cable Entry End Caps, Black, set of 10 | P/N 91611381 |
| VC-Dot 4™ Aluminum Mounting Profile, Grey, 2 m (6.6 ft.) | P/N 91611390 |
| VC-Dot 4™ Mounting Profile Cover, Grey, 2 m (6.6 ft.) | P/N 91611391 |
| VC-Dot 4™ Mounting Profile End Caps, Grey, set of 10 | P/N 91611392 |
| VC-Dot 4™ Mounting Profile Cable Entry End Caps, Grey, set of 10 | P/N 91611393 |
| VC-Dot 9™ Aluminum Mounting Profile, Black, 2 m (6.6 ft.) | P/N 91611382 |
| VC-Dot 9™ Mounting Profile Cover, Black, 2 m (6.6 ft.) | P/N 91611383 |
| VC-Dot 9™ Mounting Profile End Caps, Black, set of 10 | P/N 91611384 |
| VC-Dot 9™ Mounting Profile Cable Entry End Caps, Black, set of 10 | P/N 91611385 |
| VC-Dot 9™ Aluminum Mounting Profile, Grey, 2 m (6.6 ft.) | P/N 91611394 |
| VC-Dot 9™ Mounting Profile Cover, Grey, 2 m (6.6 ft.) | P/N 91611395 |
| VC-Dot 9™ Mounting Profile End Caps, Grey, set of 10 | P/N 91611396 |
| VC-Dot 9™ Mounting Profile Cable Entry End Caps, Grey, set of 10 | P/N 91611397 |

Specifications

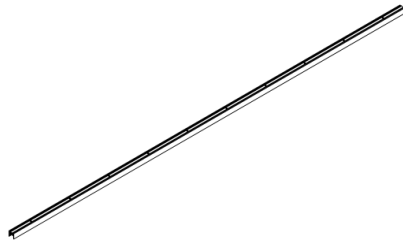
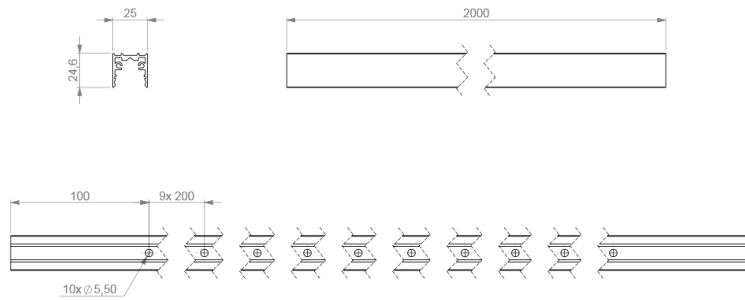
VC-Dot™ Aluminium Mounting Profiles



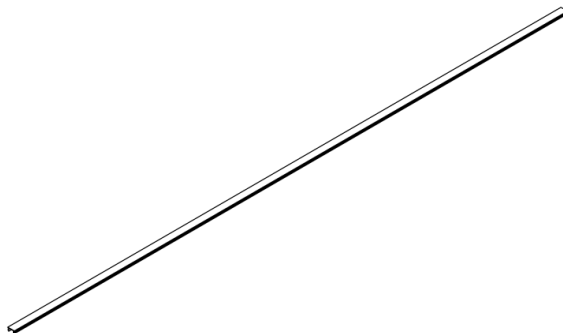
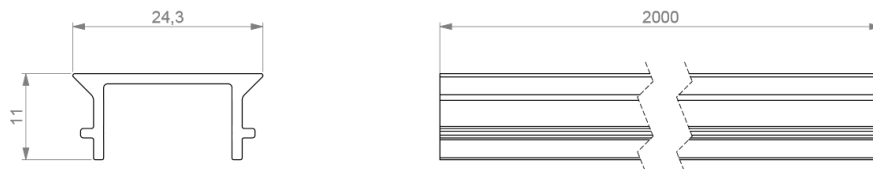
Specifications

VC-Dot™ Aluminium Mounting Profiles

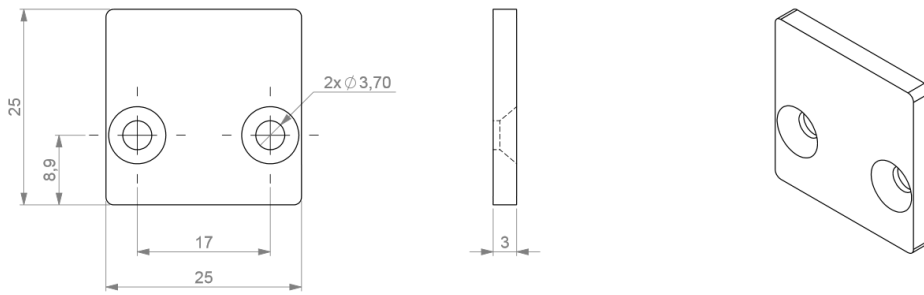
VC-Dot 1™ Aluminium Mounting Profile



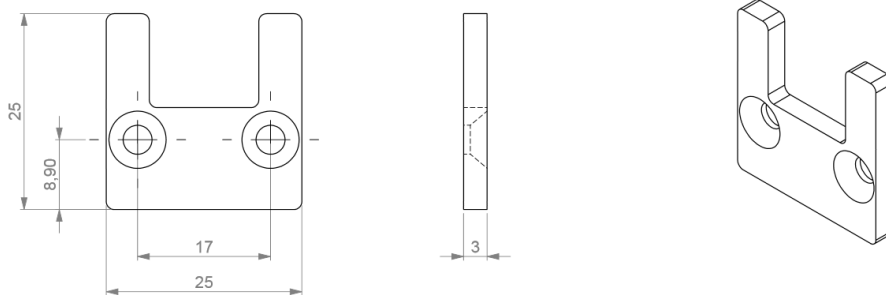
VC-Dot 1™ Mounting Profile Cover



VC-Dot 1™ Mounting Profile Endcap



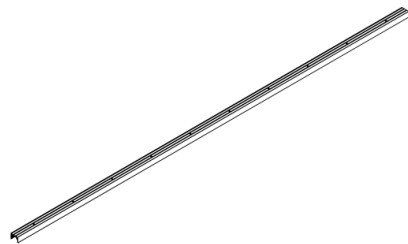
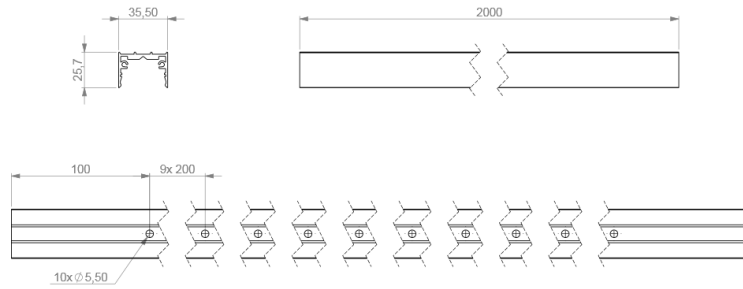
VC-Dot 1™ Mounting Profile Endcap with Cable Entry



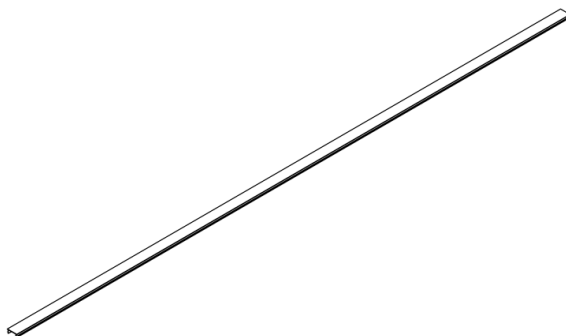
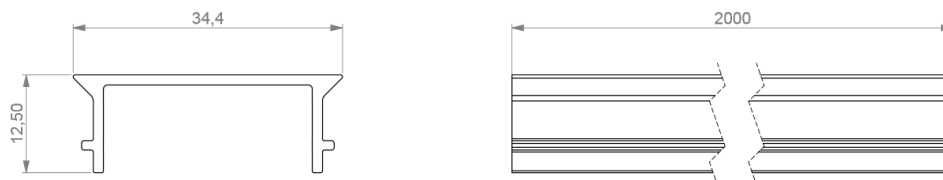
Specifications

VC-Dot™ Aluminium Mounting Profiles

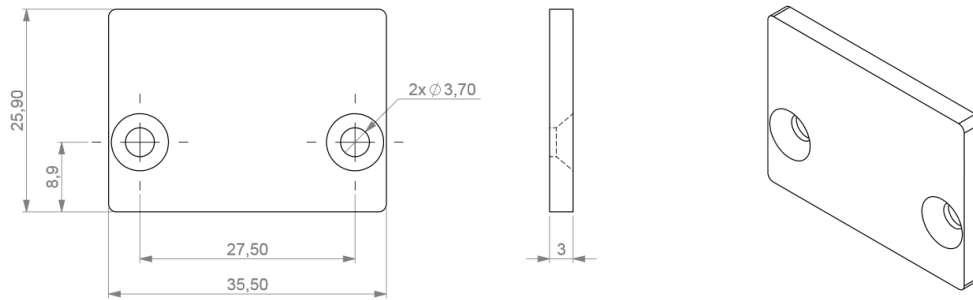
VC-Dot 4™ Aluminium Mounting Profile



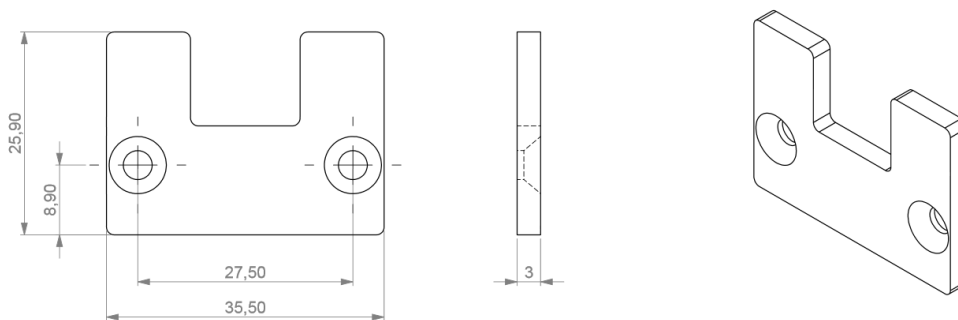
VC-Dot 4™ Mounting Profile Cover



VC-Dot 4™ Mounting Profile Endcap



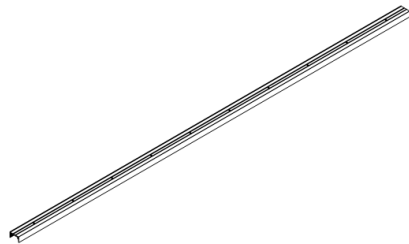
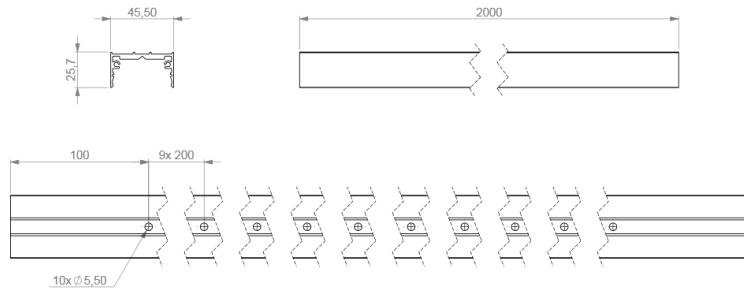
VC-Dot 4™ Mounting Profile Endcap with Cable Entry



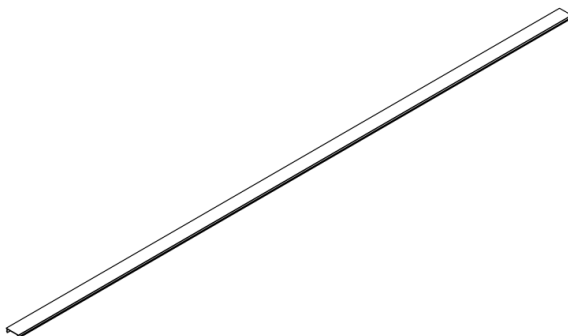
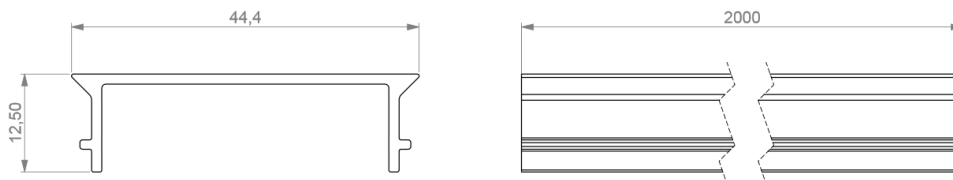
Specifications

VC-Dot™ Aluminium Mounting Profiles

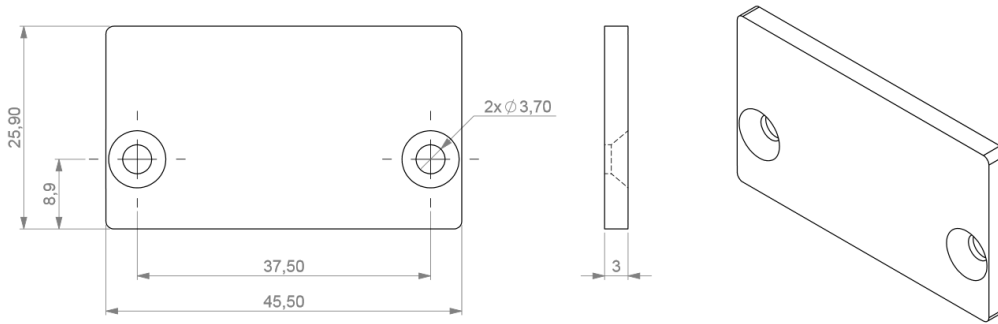
VC-Dot 9™ Aluminium Mounting Profile



VC-Dot 9™ Mounting Profile Cover



VC-Dot 9™ Mounting Profile Endcap



VC-Dot 9™ Mounting Profile Endcap with Cable Entry

