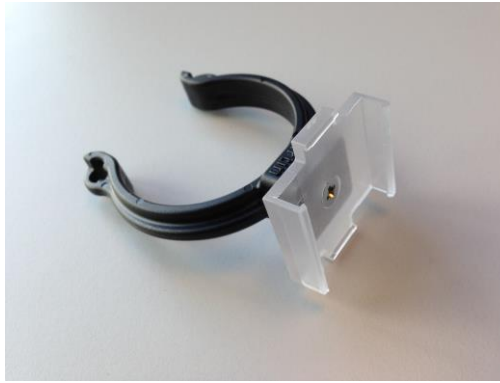


Specifications

VC-Dot™ TrussClips



The VC-Dot™ TrussClips enable easy installation of VC-Dots™ on truss tubes or other tubes with a diameter of 50mm. The TrussClips snap over the tube and the Dots are just "clipped in". Additional holes in the legs of the TrussClip facilitate installation of an extra safety strap.

CONSTRUCTION

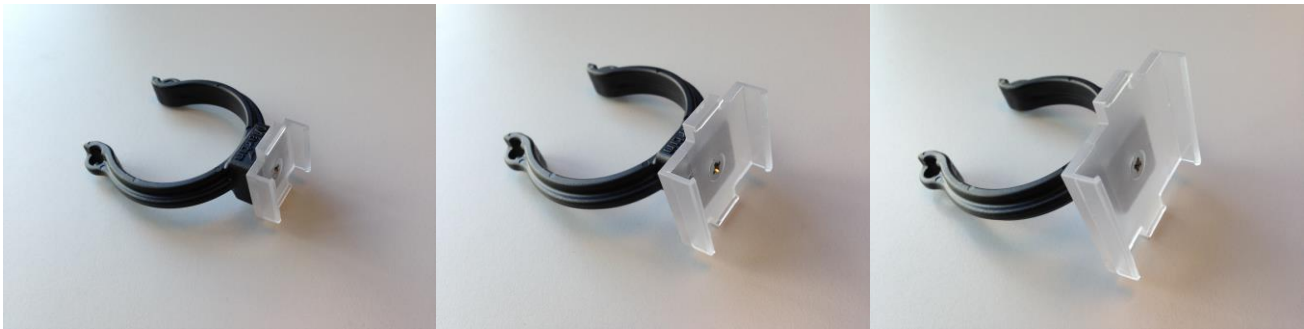
Material: Injected plastic
Color: Transparent & Matt Black

RELATED ITEMS

VC-Dot 1™ RGB, 100 mm (3.9 in.) pitch, 100 pcs., 2 m (6.6 ft.) lead-in	P/N 90357060
VC-Dot 1™ WW, 100 mm (3.9 in.) pitch, 100 pcs., 2 m (6.6 ft.) lead-in	P/N 90357090
VC-Dot 1™ MW, 100 mm (3.9 in.) pitch, 100 pcs., 2 m (6.6 ft.) lead-in	P/N 90357080
VC-Dot 1™ CW, 100 mm (3.9 in.) pitch, 100 pcs., 2 m (6.6 ft.) lead-in	P/N 90357070
VC-Dot 4™ RGB, 200 mm (7.9 in.) pitch, 64 pcs., 2 m (6.6 ft.) lead-in	P/N 90357100
VC-Dot 4™ WW, 200 mm (7.9 in.) pitch, 64 pcs., 2 m (6.6 ft.) lead-in	P/N 90357130
VC-Dot 4™ MW, 200 mm (7.9 in.) pitch, 64 pcs., 2 m (6.6 ft.) lead-in	P/N 90357120
VC-Dot 4™ CW, 200 mm (7.9 in.) pitch, 64 pcs., 2 m (6.6 ft.) lead-in	P/N 90357110
VC-Dot 9™ RGB, 400 mm (15.7 in.) pitch, 36 pcs., 2 m (6.6 ft.) lead-in	P/N 90357140
VC-Dot 9™ WW, 400 mm (15.7 in.) pitch, 36 pcs., 2 m (6.6 ft.) lead-in	P/N 90357050
VC-Dot 9™ MW, 400 mm (15.7 in.) pitch, 36 pcs., 2 m (6.6 ft.) lead-in	P/N 90357160
VC-Dot 9™ CW, 400 mm (15.7 in.) pitch, 36 pcs., 2 m (6.6 ft.) lead-in	P/N 90357150

ORDERING INFORMATION

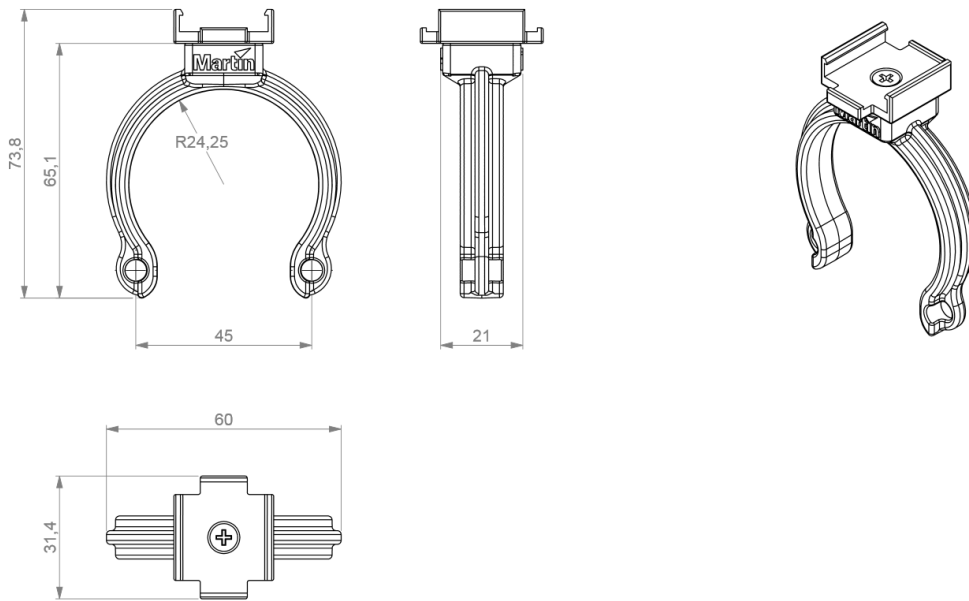
VC-Dot 1™ Truss Clips, set of 10	P/N 91611371
VC-Dot 4™ Truss Clips, set of 10	P/N 91611372
VC-Dot 9™ Truss Clips, set of 10	P/N 91611373



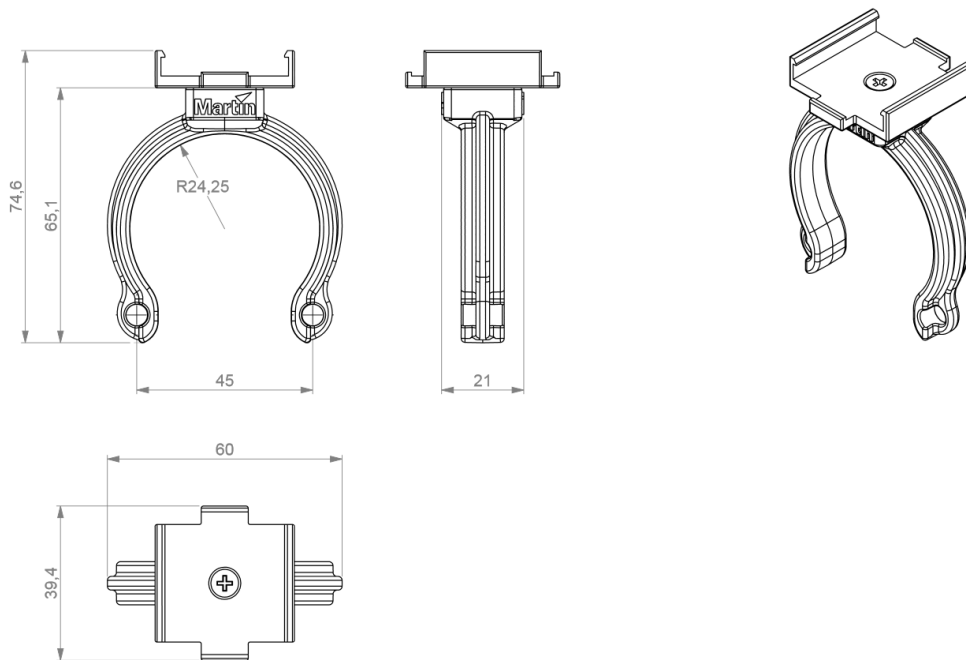
Specifications

VC-Dot™ TrussClips

VC-Dot 1™ TrussClip



VC-Dot 4™ TrussClip



Specifications

VC-Dot™ TrussClips

VC-Dot 9™ TrussClip

