

Martin M2GO HD

Martin M2PC



Martin[®]
by HARMAN

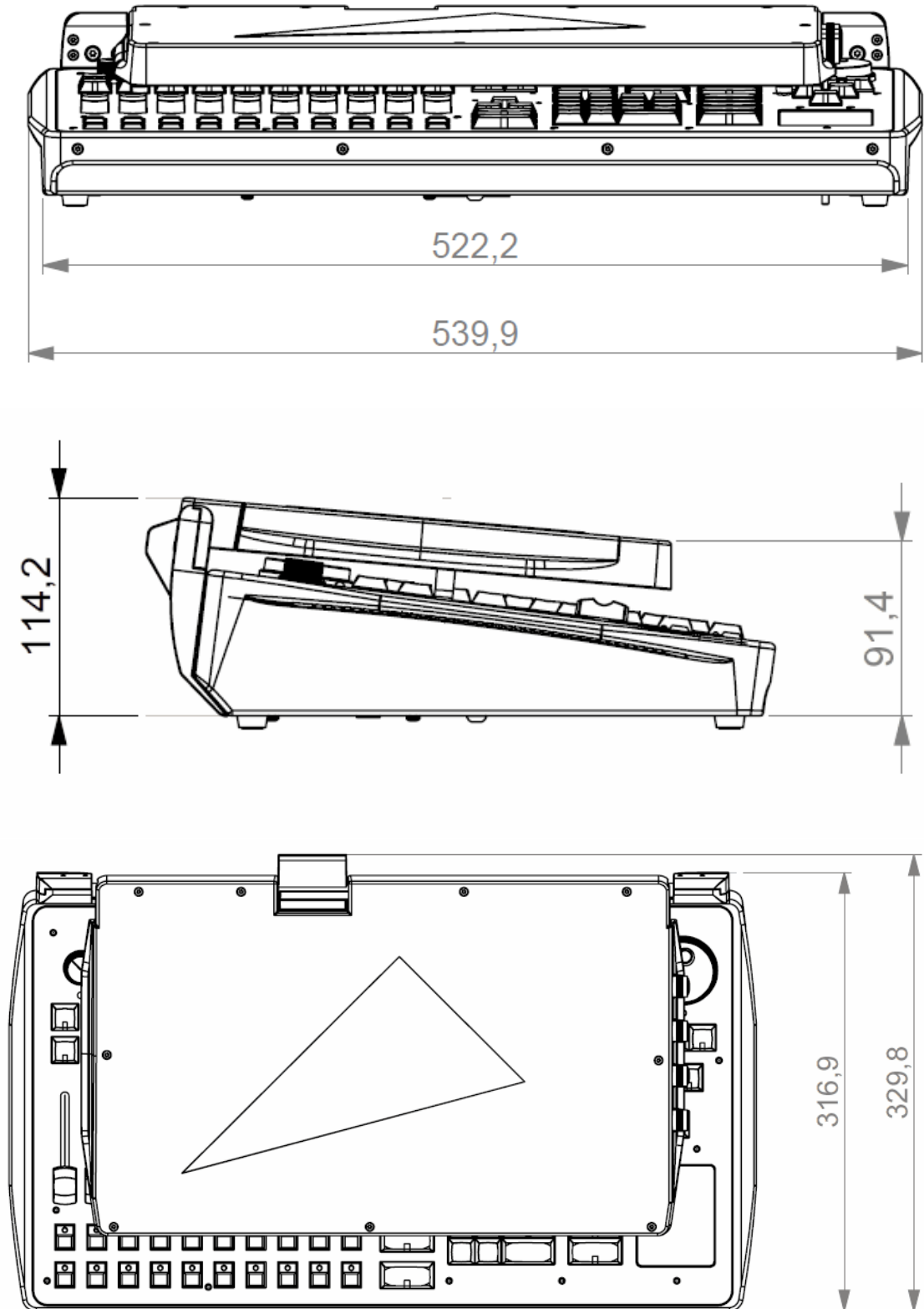
Table of Contents

Dimensions	1
Introduction	2
Technical Support	3
Safety Information	4
Included Items	5
Software	6
Recommended PC system for M2PC	7
Setup and Assembly	8
Unpacking	8
Placement	8
Power Connections	9
Connections	10
Right Side panel	10
Rear panel	11
Service	12
Specifications	13
M2GO HD	13
M2PC	16

©2017 Martin Professional™ ApS. Information subject to change without notice. Martin Professional™ and all affiliated companies disclaim liability for any injury, damage, direct or indirect loss, consequential or economic loss or any other loss occasioned by the use of, inability to use or reliance on the information contained in this document. Martin™, Harman™ and all other trademarks in this document pertaining to services or products by Martin Professional™ or its affiliates and subsidiaries are registered as the property of Harman International Industries.

Dimensions

All dimensions are in millimeters



Introduction

Thank you for purchasing the Martin M2GO HD - M2PC Lighting Control System.

The system offers a powerful lighting controller with all the features of the M-Series of Martin controller in a small and compact housing.

The M2GO HD is a complete lighting desk with an integrated processor, while the M2PC is a USB control surface that requires an external PC system.

Both consoles are identical with the exception of the integrated screen, processor and the associated connections on the back of the M2GO HD.

Please read this Safety and Installation Guide carefully. Visit the Martin website www.martin.com for further documentation including the user manual for the software and access to our user forums.

Technical Support

Most information regarding the controller systems of Martin Professional can be found at www.martin.com/controllersupport

Fixture Profiles

The software offers a fixture profile editor to create custom profiles. It is also possible to have Martin Professional add a new profile to the standard library.

Profile requests can be made on our website

http://www.martin.com/controllersupport/fixture_libraries.html

Please check whether the profile is already available before filling out a request.

Support Email

For specific questions please contact us directly at controllersupport@martin.dk

Training Videos

A large number of training videos showing the operation of the software can be found on our youtube channel.

<http://www.youtube.com/martincontroller>



Important! For certain support and warranty inquiries the user will need to provide the device serial number. To see the serial number, disconnect the console from power and from all external devices, lift it up carefully and turn it over.

Safety Information

This product is for professional use only. It is not for household use. It presents risks of lethal or severe injury due to electric shock. Read this user manual before powering or installing the console , follow the safety precautions listed below and observe all warnings in this manual and printed on the product.

If you have questions about how to operate the product safely, please contact your Martin supplier or call the Martin 24-hour service hotline on +45 8740 0000, or in the USA on 888-832-4180.

This product is for indoor use ONLY.



Important! This is a product according to Class A. In a domestic environment this product may cause radio interference in which case the user may be required to take adequate measures.

- Ensure that the power supply is electrically grounded (earthed) . Do not use ground lift adapters.
- Use only a source of AC power that complies with local building and electrical codes and has both overload and ground-fault protection.
- Use only the provided AC power supply and power cords and use the correct connector for the country of operation. Use of the factory provided power cable is mandatory for operation in the US and Canada.
- Disconnect the product from power immediately if the power supply or cable or any cover or component is wet or not in perfect condition. Do not reconnect to power until the damaged item has been repaired or replaced.
- Do not expose the product to rain or moisture.
- Allow free unobstructed airflow to the bottom and back of the product. Do not block the ventilation slots.
- Operate the console only on a stable and solid surface.
- Do not use the product if the ambient temperature exceeds 40°C (104° F)
- Refer any service operation not described in this manual to a qualified technician.
- Do not modify the product or install other than genuine Martin parts.
- Transport the product only in suitable packaging or a custom fitted road case. Transportation damage is not covered under warranty.
- Protect the internal touch screen from sharp objects and operate the screen using a finger only.
- Caution: Risk of fire and electrical shock. Use only in dry locations.
- Caution: Risk of explosion if CMOS battery is replaced by an incorrect type. Dispose of used batteries according to local environmental regulations
- Caution: Do not expose CMOS battery to excessive heat such as sunshine or fire.

Included Items

Each package contains the following items:

- M2GO HD or M2PC Controller
- Dust cover for M2GO HD or protective cover for M2PC
- External power supply unit with locking 4-pin XLR connector
- LED desk lamp
- 1.5 m (4.9 ft.) power cable, 3-pin IEC P/N 11501012 (for use outside the USA and Canada)
- 1.5 m (4.9 ft.) power cable, 3-pin IEC P/N 11501502 (with NEMA 15-5P plug for use within the USA and Canada)
- USB cable
- Safety and Installation Manual

Software

The software for the M2GO HD and M2PC is available from the support website www.martin.com/controllersupport

Please check periodically for new releases that may add new functionality or resolve a bug.

It is necessary to update to the latest release software before using the controller for the first time.

Recommended PC system for M2PC

The M2PC is designed to be operated with an external PC system that utilizes a touch screen.

We strongly recommend that you do not use the M2PC without a touchscreen because the controller software is designed around a touch interface.

Without the touchscreen the system will provide a poor user experience and is difficult to use.

The PC should meet these minimum recommendations:

- Windows 10 Operating System
- Intel Core i5 processor
- USB 2.0 connection
- 4GB RAM
- 1280x800 resolution touchscreen

Setup and Assembly

Unpacking

Open the shipping box carefully and keep all included pieces and protective covers for re-use. Do not transport the M2GO HD / M2PC in any other container than the factory-provided cardboard box with the original protective packaging inserts or a professionally designed protective case.

The M2PC is provided with a protective clip-on cover. Remove the cover carefully before powering up the system.

The cover can be conveniently placed underneath the console during operation.

The M2GO HD is provided with a dust cover.

Martin Professional offers a rugged road case for the M2GO HD console.

Placement

The controller requires a stable mounting position that provides support for all 4 rubber feet on the bottom.

Never place the controller onto a blanket or other soft surface as this would block the ventilation openings and cause overheating that would shut down the internal processor and possibly damage the controller.

Power Connections




The Martin M2GO HD - M2PC accepts AC mains power at 100-240V 50/60Hz. Do not connect it to power outside this range. Damage resulting from incorrect connection is not covered under warranty.

North America: A cable with a NEMA 15-5P plug is provided for use with the M2GO - M2PC in the USA and Canada. This approved cable must be used in North America.

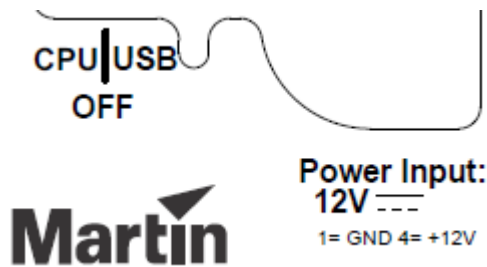
Rest of the world: The provided IEC cable is not fitted with a country-specific plug. Install only a plug that meets local and national electrical codes and is suitable for the country's specific power outlet types. Refer to a certified electrician for any questions regarding a country's specific requirements.

A 3-prong grounding-type (earthed type) plug must be installed following the plug manufacturer's instructions. The table below shows some possible pin identification schemes; if the pins are not clearly identified, or if you have any doubts about proper installation, consult a qualified electrician.

Wire color (standard EU code)	Pin	Symbol
brown	live	L
blue	neutral	N
yellow/green	ground	

To apply power to the product:

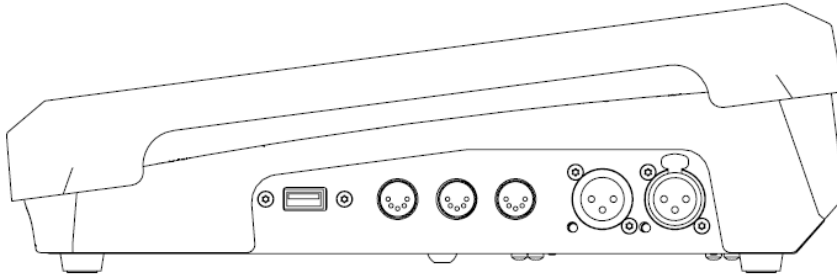
1. Check the power switch and ensure that it is set to the center **OFF** position.



2. Insert the 4-pin XLR connector from the external power supply unit into the power input on the back of the desk.
3. Insert the provided power cable into the IEC connector of the power supply unit and connect the cable to a properly protected and grounded power outlet.
4. M2PC: Connect the USB cable to the PC system
5. Turn on the desk by toggling the power switch to the **CPU** position (M2GO HD) or **USB** position (M2PC)

Connections

Right Side panel



USB

The right side panel offers a USB device socket. This connector is ideally suited for USB flash drives or a keyboard.

This connection is not suitable for boot operations (e.g. installation of an operating system). Use the USB connectors on the back of the console for this purpose instead.

Do not exceed a current of 500 ma on any USB device port.

MIDI

The MIDI card provides MIDI In, Out and Thru 5-pin DIN connectors. The software supports incoming MIDI Notes, MIDI Show Control and MIDI Timecode signals.

This card is optional on the M2PC controller.

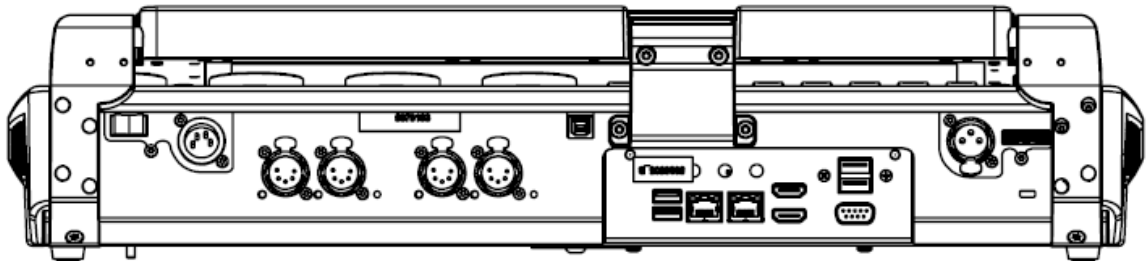
SMPTE

The SMPTE device offers 3-pin XLR connectors for SMPTE In and Out signals.

This card is optional on the M2PC controller.

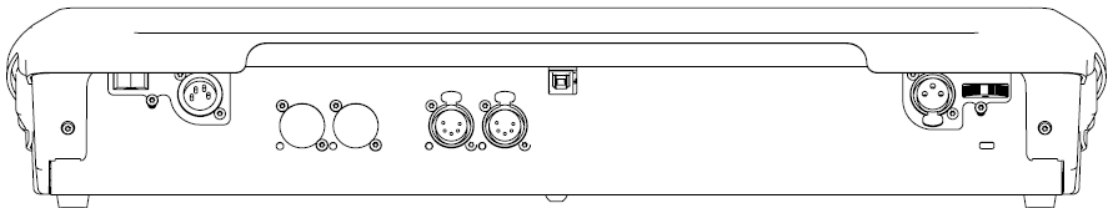
Rear panel

M2GO HD



DC Power IN	4-pin XLR male
Desklight	3-pin XLR female, 12V, 500 ma for Littlite type gooseneck desklights
DMX 1-4	5-pin XLR female DMX Outputs, RDM compatible, bidirectional for DMX Input
USB	4 x USB-A device connections (max. 500 ma) 1 x USB-B input connection
Network	RJ45 Gigabit Remote network connection
EtherDMX	RJ45 Gigabit DMX Ethernet connection
HDMI	2 x HDMI digital monitor connection
Line Out	Green 3.5 mm stereo jack
Line In	Blue 3.5 mm stereo jack
Mic In	Pink 3.5 mm mono jack

M2PC



DC Power IN	4-pin XLR male
Desklight	3-pin XLR female, 12V, 500ma for Littlite type gooseneck desklights
DMX 1-4	5-pin XLR female DMX Outputs, RDM compatible, bidirectional for DMX Input
USB	1x USB-B input connection

Service

The Martin M2GO HD - M2PC is designed as a rugged, roadworthy device. Occasional cleaning is the only service required of the user. For any other service-related concerns, please contact your Martin dealer or visit www.martin.com.

Any service not described in this document must be carried out by a qualified Martin technician.

The M2GO HD - M2PC requires periodic cleaning, as does any computer. The schedule depends heavily on the operating environment; please consult a Martin service technician for recommendations if needed.

As with any computer, never spray the cleaner directly onto the desk, always spray onto a lint-free cloth and wipe clean. Cleaning products designed for cellphone and tablet devices tend to work very well for cleaning a lighting console.



Important! Excessive dust, dirt smoke fluid build-up etc. can degrade performance and cause overheating and damage to the controller that is not covered by the warranty.

Specifications

M2GO HD

- High-resolution folding capacitive multi-touchscreen
- Integrated Industrial high-speed processing
- 3.5" touchscreen for fast and direct parameter access
- 8 digital encoders for parameter control
- 8 customizable function keys
- 4 DMX universes direct from the console; up to 20 universes via Artnet and sACN without external processors
- Controls up to 10240 parameters
- Built-in 2D visualizer for selection and real-time visualization
- Customizable Graphical User Interface with context-sensitive toolbars and integrated Help menu
- Powerful effects engine
- 1000 cuelists with fader control
- 1000 cuelists with playback control buttons
- Parallel execution of multiple cuelists
- Submaster, Groupmaster and Override functionality
- Parameter and Time-fanning functionality
- Auto update for presets and cues
- On-the-fly global timing adjustments
- M-Series Manager Software for programming and triggering via time and calendar schedules, RS232 and IP triggers
- Multiple wing attachment (M-Series Modules)
- MaxNet synchronized programming and playback support

Physical

Length: 300 mm (11.9 in.)

Width: 540 mm (21.3 in.)

Height: 99 mm (3.9 in.)

Weight: 9 kg (19.8 lbs.)

Control and Programming

Protocol: DMX512A (RDM), ArtNet2, sACN

4 physical DMX ports

20 DMX universes integrated

No limit to number of DMX channels per fixture

Extensive fixture library for all known manufacturers

65000 presets for each group of functions (P/T, color, gobo, etc.)

Effect generator for automated programming of complex effects

Customizable highlight and lowlight function to identify individual fixtures

Relative or absolute programming

Fan function for all channels (including timing parameters)

On-the-fly global timing changes

Virtual cuelists

Macros

Wait, follow and link cues

HTP, LTP, chase, timecode, submaster and group master playback functionality Individual parameter timings

Intuitive patch feature

Fixture type cloning

All channels with 16-bit resolution

Control/User Interface

Main playback interface: ten 60 mm playback faders, each with four function- assignable buttons

Eight customizable multi-function keys

Playback Select button

Master Go section with Go, Pause, Snap and Release

Four digital rotary encoders with push function and status

LED for fixture parameter control

3.5" touchscreen for parameter groups, effect parameters, fanning and global timings and button

Built-in 2D visualizer for selection and real-time visualization

Grand master rotary fader

Blind/preview button

Customizable highlight/lowlight function

Customizable parameter defaults

Next/last fixtures/groups

Large command keys

Playback

Assign a cue, cuelist or effect to any playback fader 500 playback banks, each containing 10 playbacks

100 pages of 100 playbacks activated by touchscreen button

No limit to cues per cuelist

Full 16-bit fading for high-resolution fixtures Individual fade in/fade out times for all playbacks

Manual override available at all times

Live 0-1000% override of global cue timings

Live programmer timing ("Sneak")

Cuelists can be executed in tracking or non-tracking mode

Connections

4 x DMX universe outputs: 5-pin locking XLR
External monitor screen: VGA and HDMI
Artnet/sACN for up to 20 DMX universes in total: Gigabit RJ-45
MaxNet controller link: Gigabit RJ-45
Storage media/hardware peripherals: USB 3.0
Built-in Internal MIDI In/Out/Thru (MIDI show control, MIDI notes, MIDI timecode)
Built-in Internal SMPTE Timecode In/Out: 3-pin XLR
12 VDC power supply input: 4-pin XLR
Desk lamp (dimnable): 3-pin XLR

USB (storage media/hardware peripherals)
Back of console: 4 x USB 3.0
Side of console: 1 x USB 2.0

Electrical:

AC mains power to 12 V DC external PSU (included): 100-240 V nominal, 50/60 Hz, 12 V DC output:
5 A, 60 W max.
M2GO HD Power Input: 12 V DC, 53 W (max), 4.2 A (max)
Lamp Output: 12 V PWM, 0.5 A (max), 6 W (max)

Hardware

Industrial 15.6 inch TFT 16:9 touchscreen (1376x768 pixels)
Industrial 3.5" RGB touchscreen
SSD storage drive
Industrial motherboard with quad-core processor
8 GB RAM
Integrated graphics processor

Included Items

1.5 m (4.9 ft.) power cable, EU (Schuko), 3-pin IEC
1.5 m (4.9 ft.) power cable, US, 3-pin IEC
12 V DC 5 A external PSU
LED desk lamp, 6 W
Protective Cover
Martin™ One-Key: ShowDesigner 6™ Lite 3D Visualizer 1 year license, M-PC Pro with 64 universe License

Accessories

Flightcase for M2GO HD Console: P/N 91535085
Martin™ M-Play: P/N 90737030
Martin™ M-DMX Interface Box / Martin™ M-PC 2U package: P/N 90737070

Ordering Information

Martin™ M2GO HD Console: P/N 90737080

M2PC

- 3.5" touchscreen for fast and direct parameter access
- 4 digital encoders for parameter control
- 8 customizable function keys
- 4 DMX universes direct from the console; up to 64 universes via Artnet and sACN with external processors
- Built-in 2D visualizer for selection and real-time visualization
- Customizable Graphical User Interface with context-sensitive toolbars and integrated Help menu
- Powerful effects engine
- 1000 cuelists with fader control
- 1000 cuelists with playback control buttons
- Parallel execution of multiple cuelists
- Submaster, Groupmaster and Override functionality
- Parameter and Time-fanning functionality
- Auto update for presets and cues
- On-the-fly global timing adjustments
- M-Series Manager Software for programming and triggering via time and calendar schedules, RS232 and IP triggers
- MaxNet synchronized programming and playback support

Physical

Length: 300 mm (11.9in.)

Width: 540 mm (21.3 in.)

Height with dust cover installed: 99 mm (3.9 in.)

Weight: 4.6 kg (10.2 lbs.)

Control and Programming

Protocol: DMX512A (RDM), Artnet2, sACN

4 physical DMX ports

64 DMX universes integrated

No limit to number of DMX channels per fixture

Extensive fixture library for all known manufacturers

65000 presets for each group of functions (P/T, color, gobo, etc.)

Effect generator for automated programming of complex effects

Customizable highlight and lowlight function to identify individual fixtures

Relative or absolute programming

Fan function for all channels (including timing parameters)

On-the-fly global timing changes

Virtual cuelists

Macros

Wait, follow and link cues

HTP, LTP, chase, timecode, submaster and group master playback functionality Individual parameter timings

Intuitive patch feature

Fixture type cloning

All channels with 16-bit resolution

Control/User Interface

Main playback interface: ten 60 mm playback faders, each with four function- assignable buttons

Eight customizable multi-function keys

Playback Select button

Master Go section with Go, Pause, Snap and Release

Four digital rotary encoders with push function and status

LED for fixture parameter control

3.5" touchscreen for parameter groups, effect parameters, fanning and global timings and button

Built-in 2D visualizer for selection and real-time visualization

Grand master rotary fader

Blind/preview button

Customizable highlight/lowlight function

Customizable parameter defaults

Next/last fixtures/groups

Large command keys

Playback

Assign a cue, cuelist or effect to any playback fader 500 playback banks, each containing 10 playbacks

100 pages of 100 playbacks activated by touchscreen button

No limit to cues per cuelist

Full 16-bit fading for high-resolution fixtures Individual fade in/fade out times for all playbacks

Manual override available at all times

Live 0-1000% override of global cue timings

Live programmer timing ("Sneak")

Cuelists can be executed in tracking or non-tracking mode

Connections

4 x DMX universe outputs: 5-pin locking XLR
1 x storage media/hardware peripherals: USB 2.0
Ready to receive internal MIDI module and SMPTE Timecode module
Internal MIDI In/Out/Thru (MIDI Show Control, MIDI Notes, MIDI Timecode (optional))
Internal SMPTE Timecode In/Out: 3-pin XLR (optional)
12 VDC power supply input: 4-pin XLR
Desk lamp (dimnable): 3-pin XLR

Electrical:

AC mains power to 12 V DC external PSU (included): 100-240 V nominal, 50/60 Hz, 12 V DC output:
5 A, 60 W max.
M2PC Power Input: 12V DC, 18W (max), 1.5A (max)
Lamp Output: 12 V PWM, 0.5 A (max), 6 W (max)

Hardware

Industrial 3.5" RGB touchscreen

Included Items

1.5 m (4.9 ft.) power cable, EU (Schuko), 3-pin IEC
1.5 m (4.9 ft.) power cable, US, 3-pin IEC
12 VDC, 5 A external PSU
LED desk lamp with angular plug
Protective Cover
Martin™ One-Key: ShowDesigner 6™ Lite 3D Visualizer 1 year license, M-PC Pro with 64 universe License

Accessories

Martin™ M-Play: P/N 90737030
Martin™ M-DMX Interface Box / Martin™ M-PC 2U package: P/N 90737070

Ordering Information

Martin™ M2PC™ Console	P/N 90737010
Optional Midi PCB	P/N 91613038
Optional SMPTE Timecode PCB	P/N 90703040