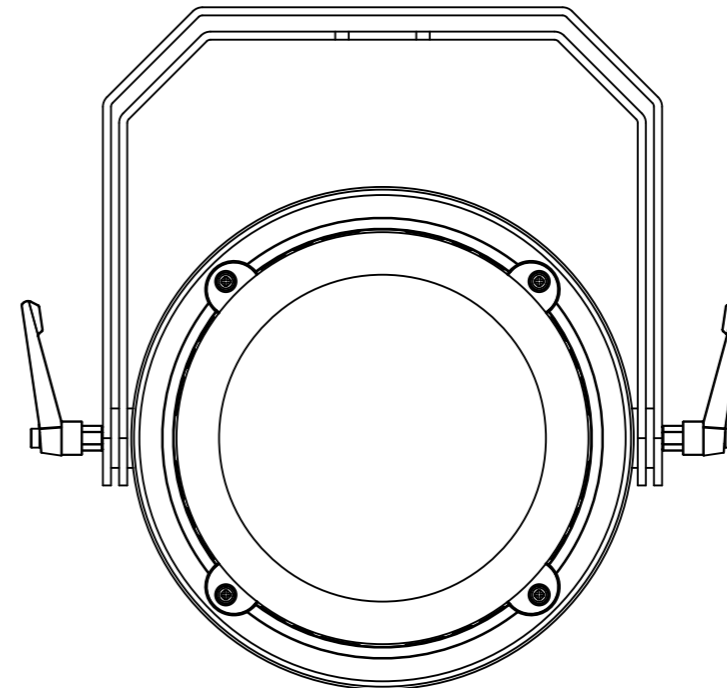
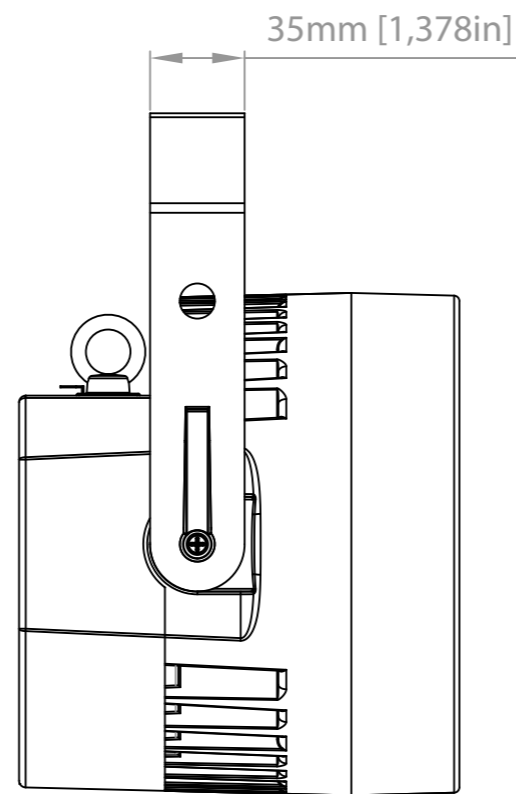
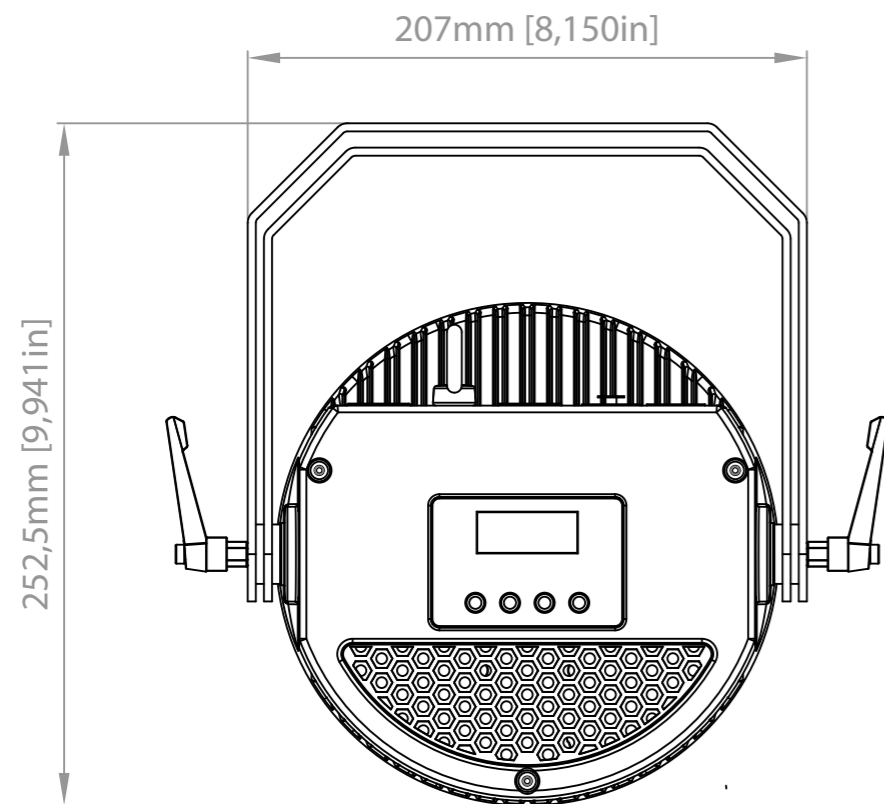
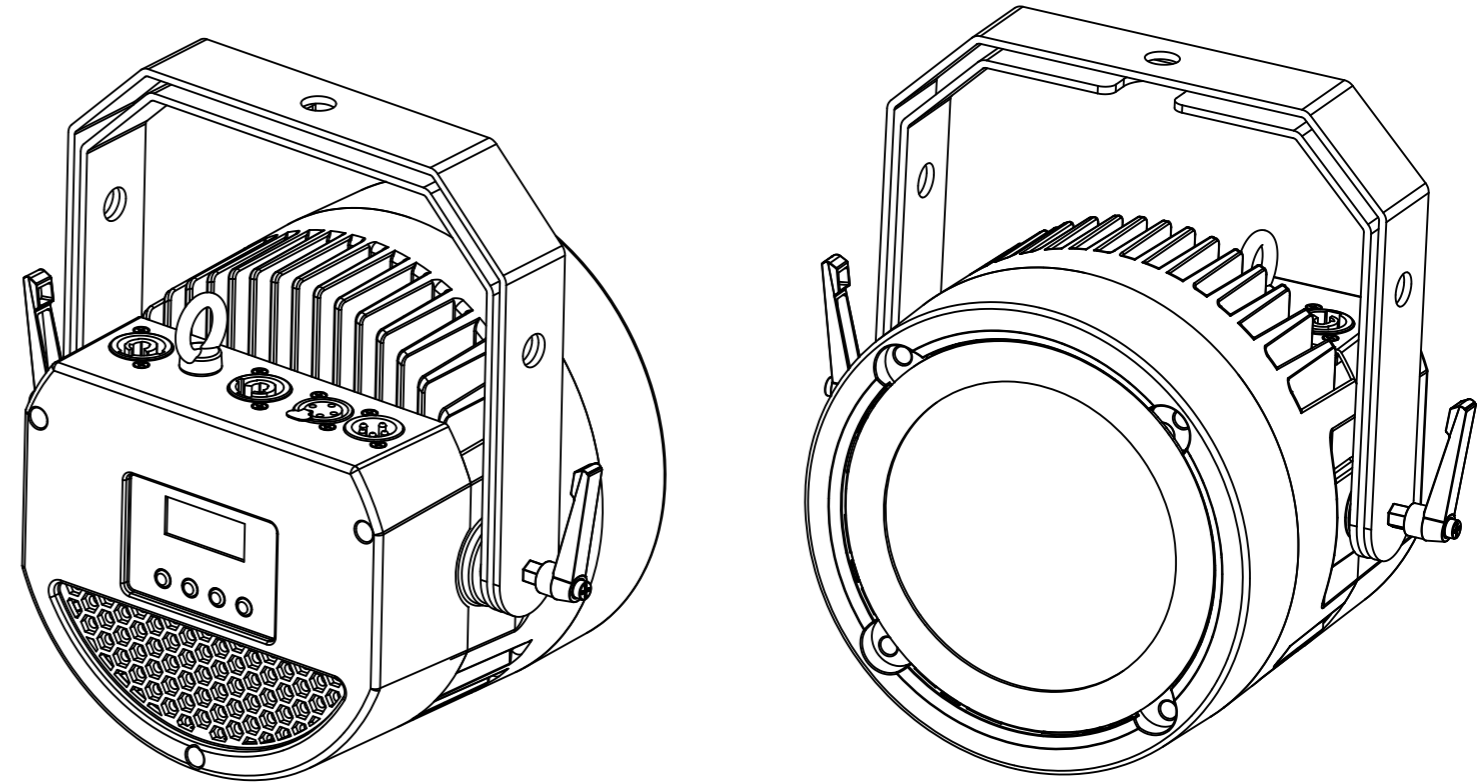
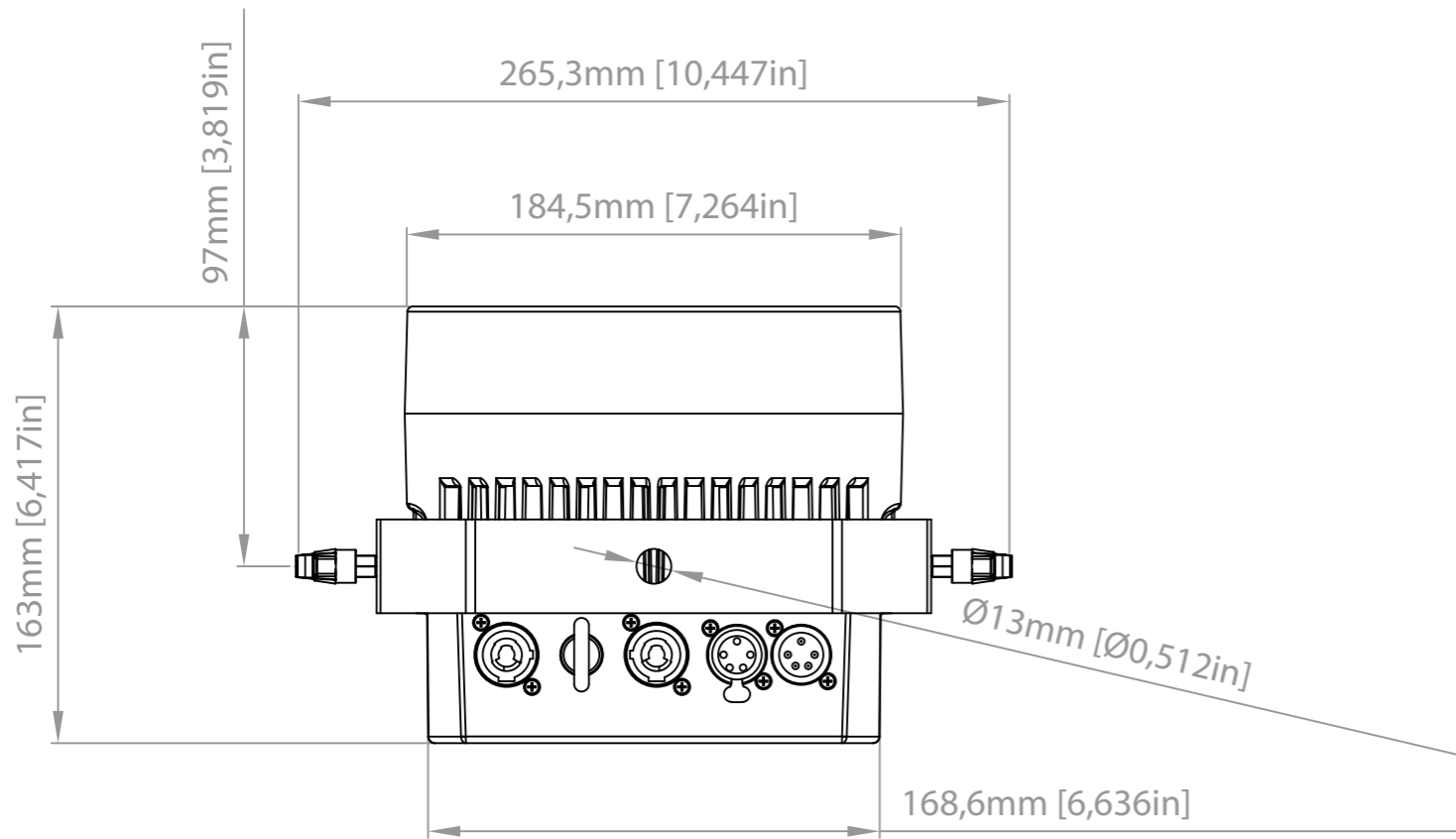


REVISION HISTORY

DATE	REV.	DESCRIPTION	BY
22.01.2018	A	First release	



General Technical Specification apply to this item

© 2018 HARMAN Professional Denmark ApS PROPRIETARY AND CONFIDENTIAL PROPERTY OF HARMAN. DO NOT DISCLOSE, REPRODUCE, OR PUBLISH WITHOUT WRITTEN HARMAN APPROVAL.	Material	FIRST ANGLE PROJECTION		HARMAN Professional Denmark ApS Oluf Palms Allé 18 DK 8200 Aarhus N		
	General linear tolerance					
ROHS RESTRICTION OF HAZARDOUS SUBSTANCES ALL MATERIALS USED IN THIS PART MUST BE ROHS COMPLIANT. SUPPLIER SHALL PROVIDE A CERTIFICATE OF ROHS COMPLIANCE WITH THE FIRST ARTICLE.	General angular tolerance	Item to be	TITLE RUSH PAR 3 RGB			
	Color	Item to be	NO.	REV See table		
DIMENSIONS SHOWN ARE FOR REFERENCE AND INSPECTION ONLY. REFER TO CAD MODEL PROVIDED WITH THIS DRAWING FOR OVERALL DEFINITION OF PART GEOMETRY.		Item to be	SIZE A3	SCALE -	DO NOT SCALE DRAWING	SHEET OF 1 1