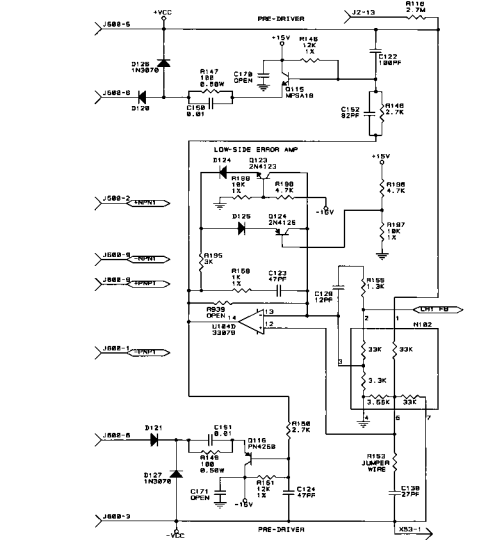
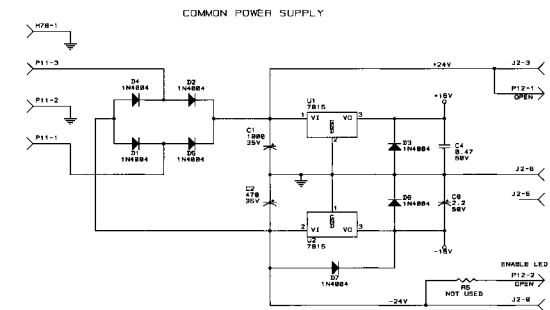
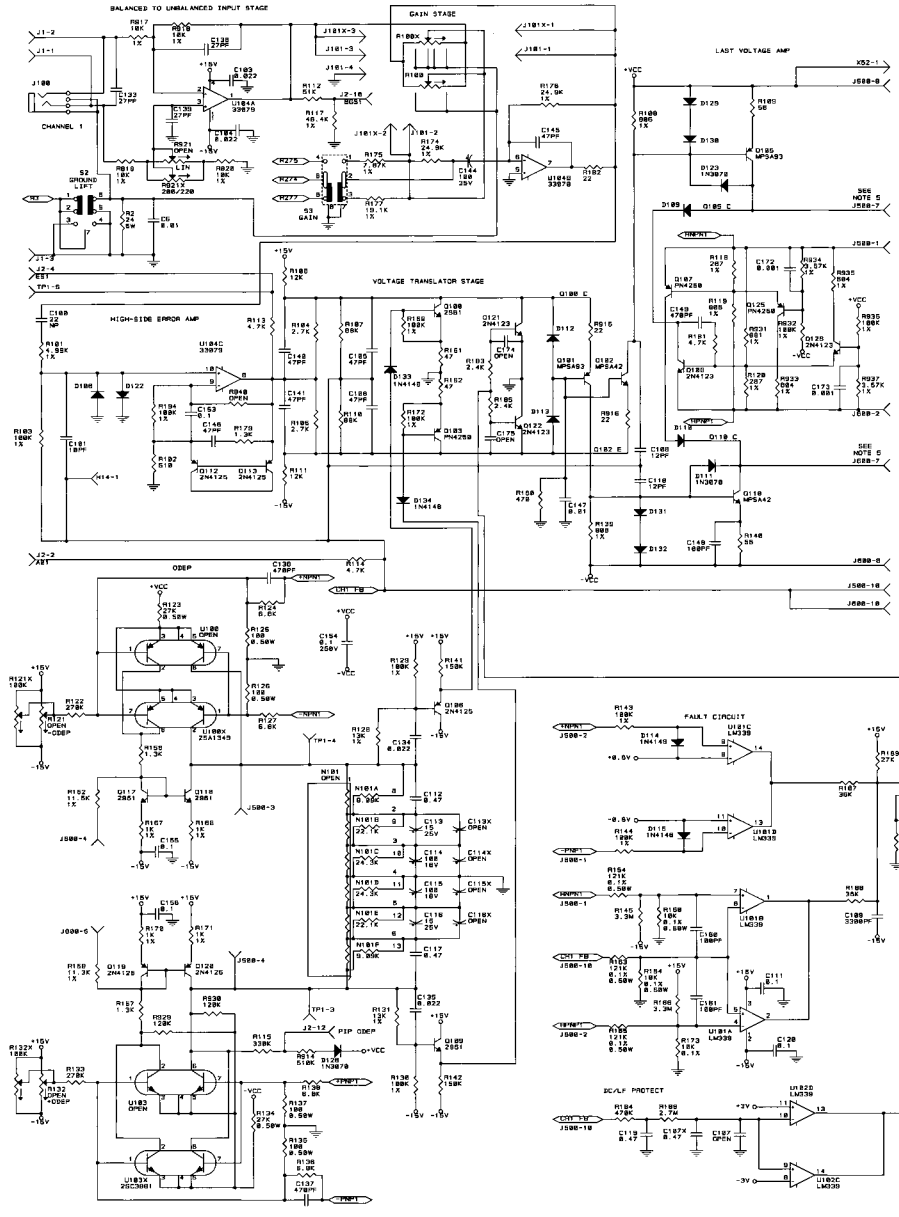


REVISION HISTORY					
E.C. N.	ZONE	REV	DESCRIPTION	DATE	APPROVED
006031	A	1	PRODUCTION RELEASE (LEVEL 1)	04/14/98	JAM KW
006030	B	1	REVISED VALUE DESCRIPTIONS FOR Q178, Q215, Q182.	07-08-98	TLM JAM
006100	C	1	REVISED TO MAKE REV LETTERS MATCH ON BOTH SHEETS.	01-04-98	JAM JAM



INACTIVE
For Reference Use Only

UNCONTROLLED
UNLESS OTHERWISE INDICATED IN THESE DOCUMENTS, ALL INFORMATION CONTAINED HEREIN IS UNCLASSIFIED. THIS DOCUMENT IS UNCONTROLLED COPY. COPIES OF THESE DOCUMENTS INCLUDING ASSOCIATED ELECTRONIC REPRODUCTIONS AND JOB REFERENCE SHEET.
THESE DRAWINGS AND SPECIFICATIONS ARE THE PROPERTY OF CROWN INTERNATIONAL, INC. AND SHALL NOT BE REPRODUCED, COPIED, OR USED AS THE BASIS FOR THE MANUFACTURE OR SALE OF APPARATUS OR DEVICES WITHOUT PERMISSION.

DWN	JAM	04/14/98		1718 W. WISHAWAKA RD. ZURBART, TN, 38573 PHONE: 615/394-8888 WWW.CROWNINTL.COM
CHK	KW	05-28-98		
DISTRIBUTION			TITLE	SCH. MA2400 MAIN 126063-1
E	PE	JM		
FILENAME			D 126064	
TOLERANCE UNLESS OTHERWISE SPECIFIED			SCALE NONE	
.005 - A .002			PROJ NO: M22840	
.005 - A .010			SHEET 1 OF 2	
.010 - A .003				