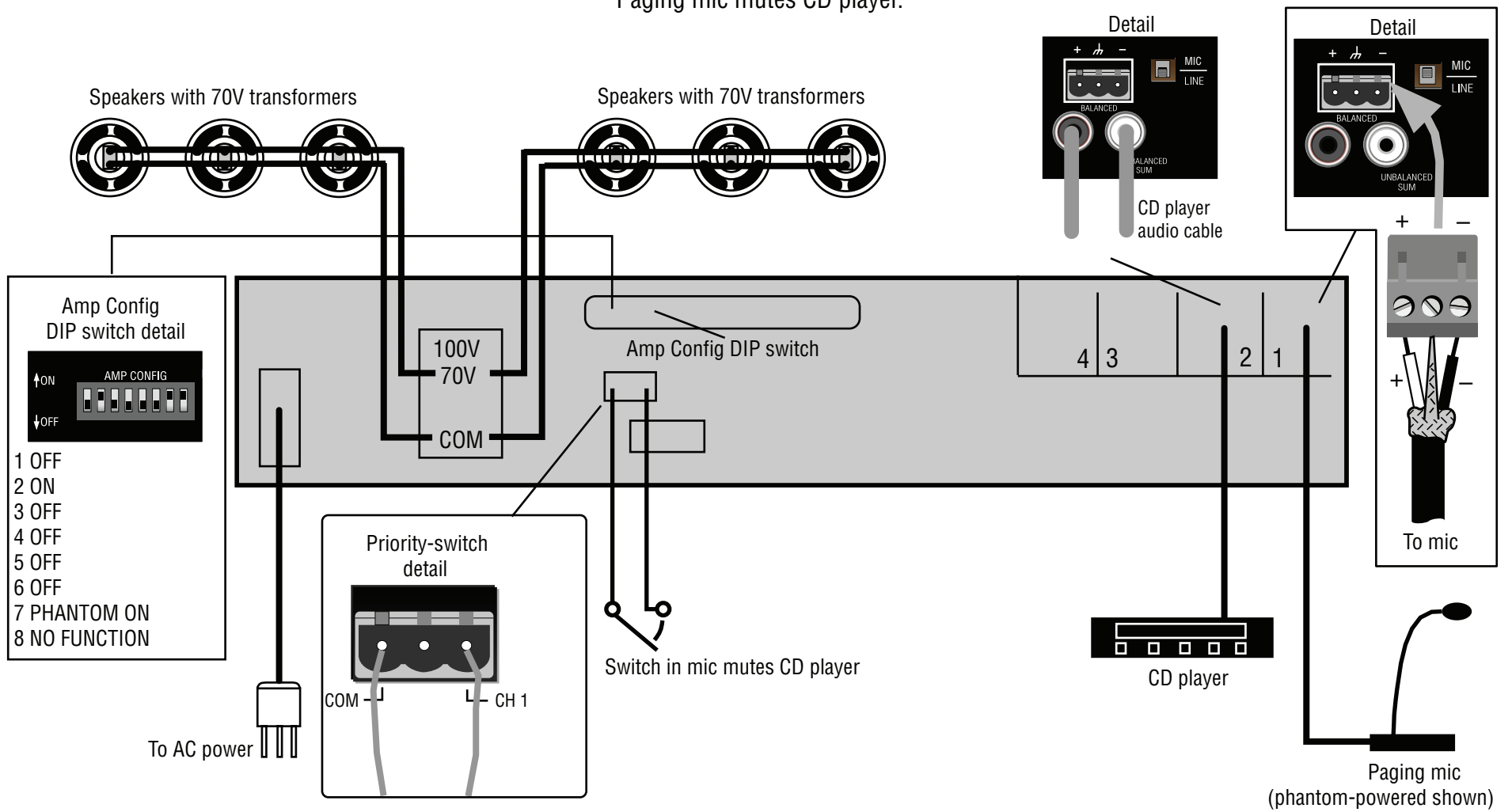


CROWN® COMMERCIAL AUDIO SERIES MIXER-AMPLIFIER QUICK-START GUIDE

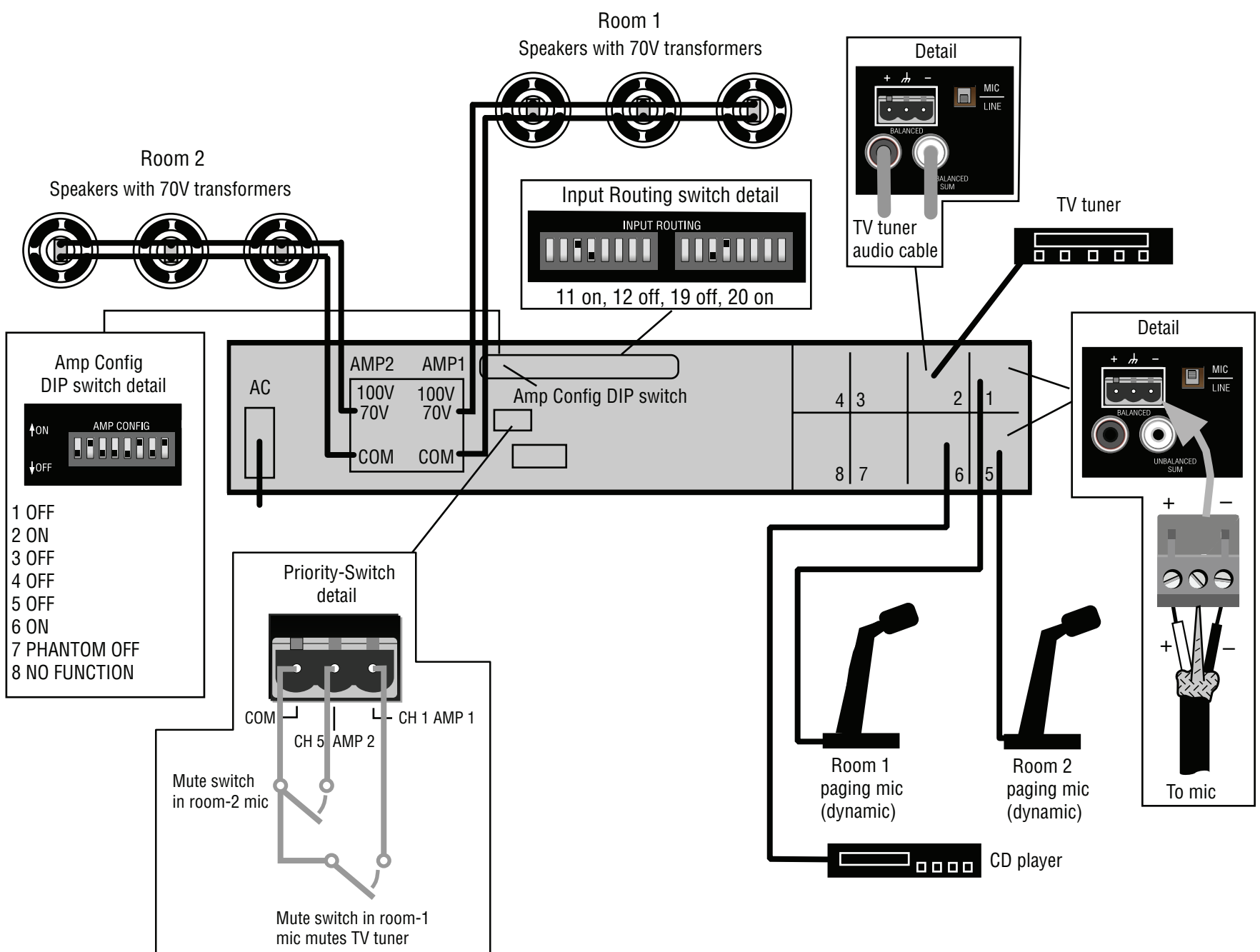
ONE ROOM WITH A PAGING MICROPHONE using 180MA or 1160MA

Paging mic mutes CD player.



TWO ROOMS WITH INDEPENDENT PAGING using 280MA

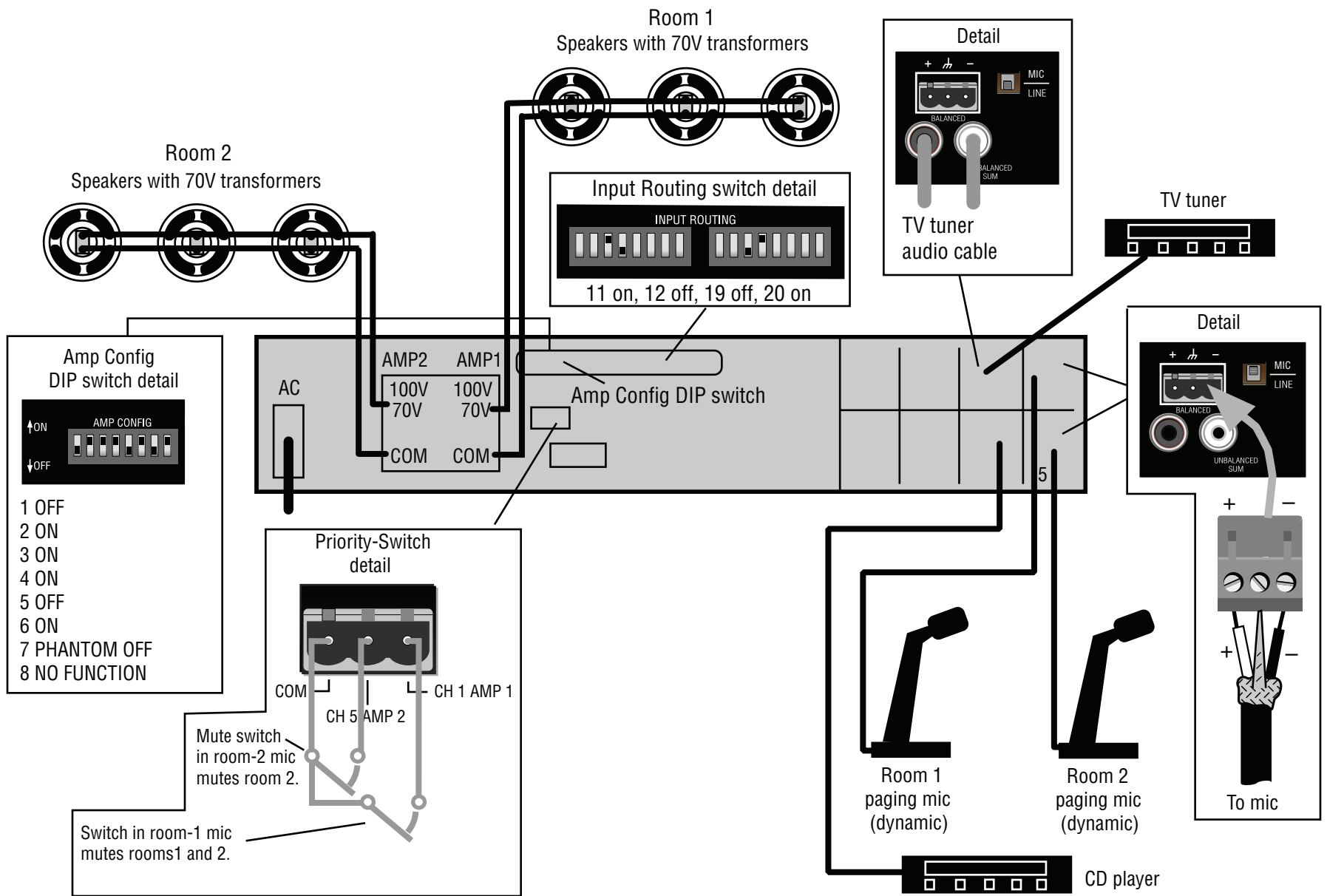
Mic 1 mutes room-1 TV tuner. Mic 2 mutes room-2 CD player.



(OVER)

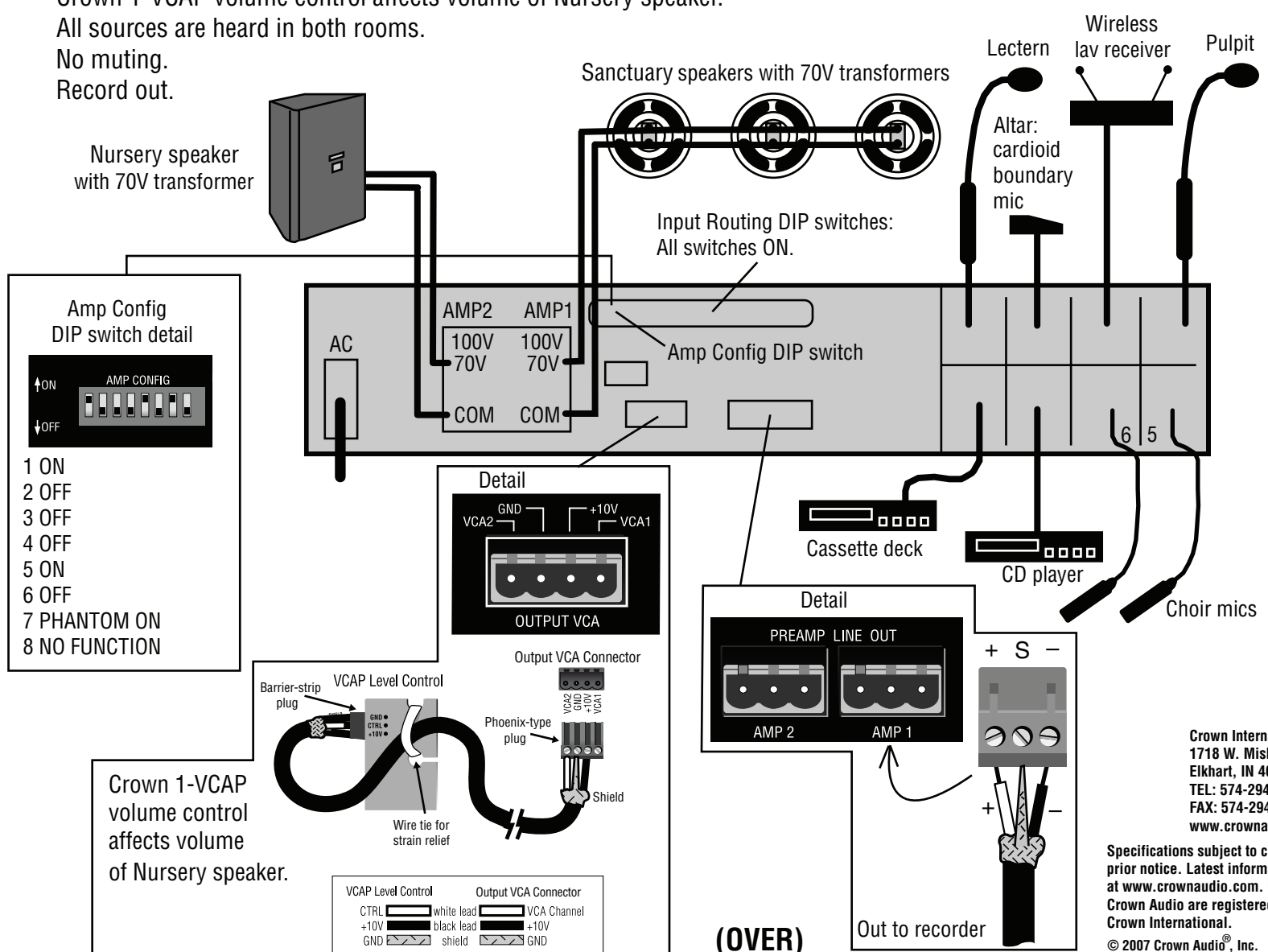
CROWN COMMERCIAL AUDIO SERIES MIXER-AMPLIFIER QUICK-START GUIDE

TWO ROOMS WITH INDEPENDENT PAGING using 280MA ROOM-1 MIC MUTES BOTH ROOMS



SAMPLE APPLICATION HOUSE OF WORSHIP — SANCTUARY AND NURSERY using 280MA

Crown 1-VCAP volume control affects volume of Nursery speaker.
All sources are heard in both rooms.
No muting.
Record out.



Crown International
1718 W. Mishawaka Rd.
Elkhart, IN 46517-9439
TEL: 574-294-8200
FAX: 574-294-8FAX
www.crownaudio.com
Specifications subject to change without
prior notice. Latest information available
at www.crownaudio.com. Crown and
Crown Audio are registered trademarks of
Crown International.
© 2007 Crown Audio®, Inc. 10/07 137784-3