

A

B

C

D

E

F

SP5968-21

I

H

REVISIONS				
REV	ECN NUMBER	DESCRIPTION	DATE	APPROVED
A	21860	INITIAL RELEASE	01-16-14	J. PORTER

NOTES: UNLESS OTHERWISE SPECIFIED

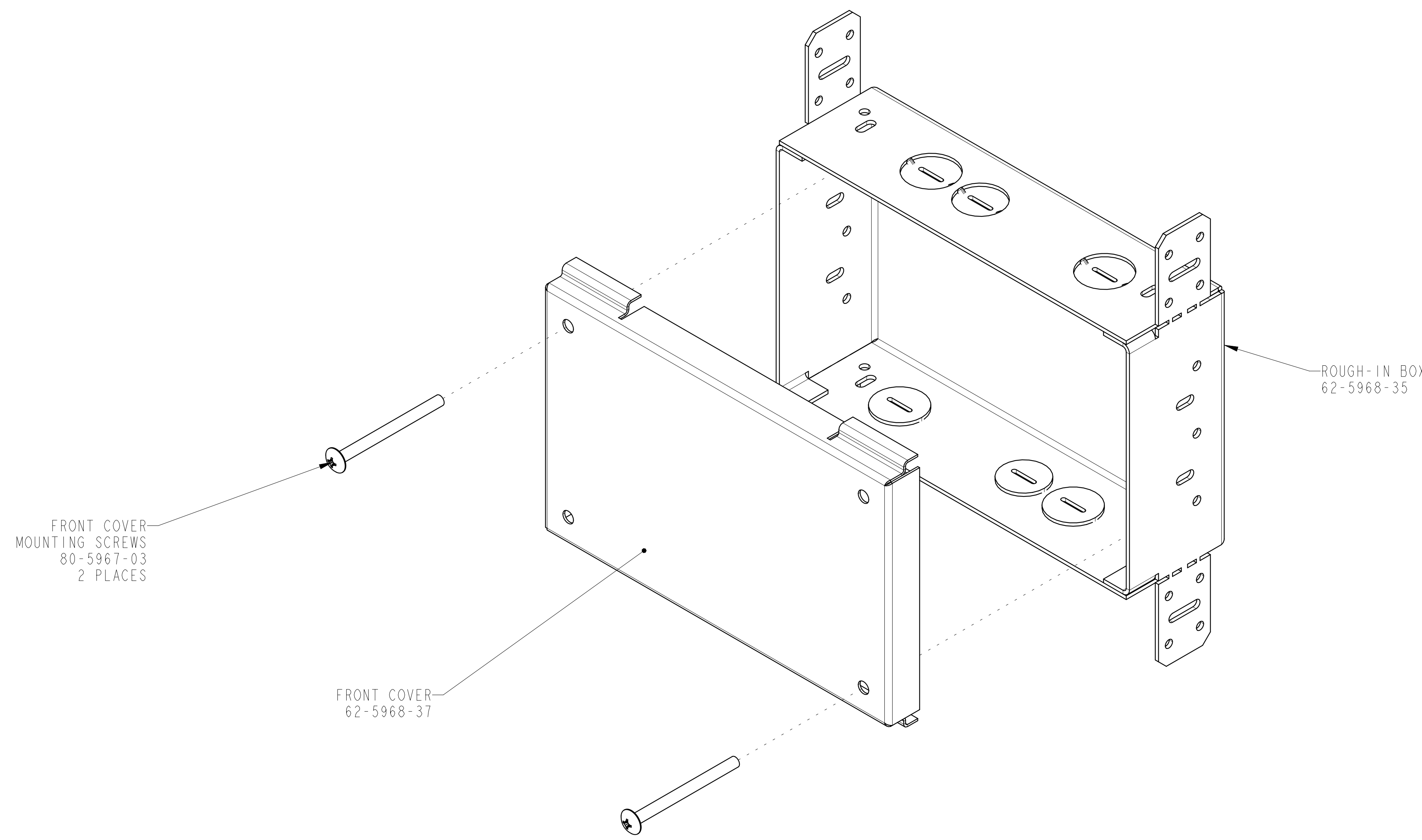
1. THIS DRAWING SHALL BE USED WITH CAD MODEL FOR COMPLETE PRODUCT DEFINITION. REFER TO TABLE ON BOTTOM LEFT OF FORMAT.

1

2

3

4



FRONT COVER MOUNTING SCREWS  
80-5967-03  
2 PLACES

FRONT COVER  
62-5968-37

ROUGH-IN BOX  
62-5968-35

UNLESS OTHERWISE STATED, THE ARTICLE SPECIFIED SHALL BE RoHS COMPLIANT PER EU DIRECTIVE 2002/95/EC

REF. PRO/E ASSEM FILE = SP5968-21
REF. PRO/E ASSEM REV. = A

NOTICE: This drawing is the property of AMX LLC. All information contained herein this is not generally known shall be confidential except to the extent the information had been previously established. This drawings may not be copied, reproduced, or used as the basis for manufacture or sale without written permission.

UNLESS OTHERWISE SPECIFIED

TOLERANCE ON DECIMAL DIMENSIONS: .X = ±0.1  
.XX = ±0.02  
.XXX = ±0.010  
ANGLES: ±1.0

SURFACE FLATNESS .003 TIR PER LINEAR INCH

ALL DIMENSIONS IN INCHES.  
DO NOT SCALE DRAWING

THIRD ANGLE PROJECTION

**AMX** AMX LLC  
3000 RESEARCH DRIVE  
RICHARDSON, TX 75082

MOUNTING SPEC, ROUGH-IN BOX,  
MODERO 7" WALL TP

SIZE <b>D</b>	DRAWING NUMBER SP5968-21	REV A
SCALE 1:1	SHEET 1 OF 3	

A

B

C

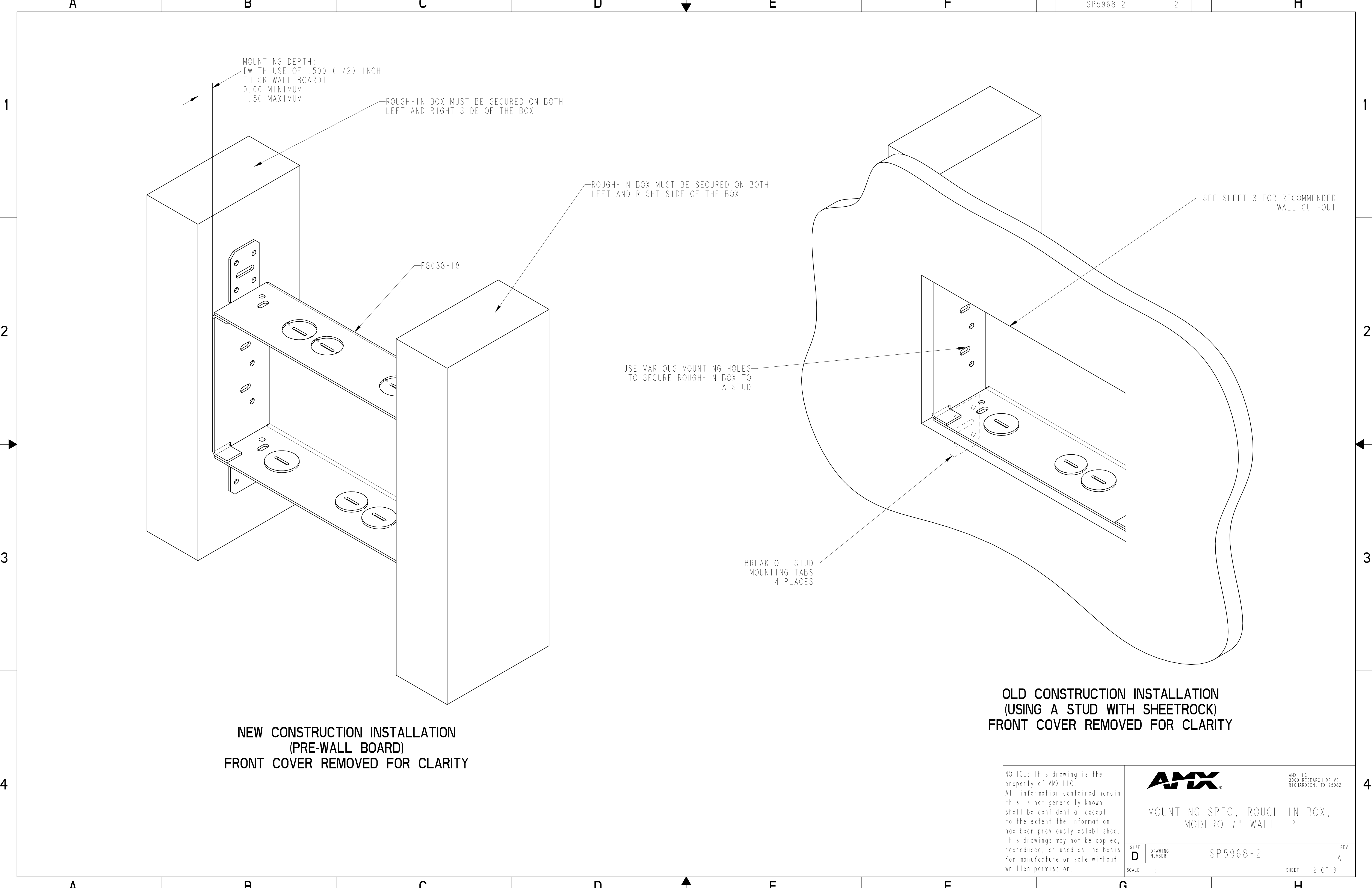
D

E

F

G

H



**OLD CONSTRUCTION INSTALLATION  
(USING A STUD WITH SHEETROCK)  
FRONT COVER REMOVED FOR CLARITY**

**NEW CONSTRUCTION INSTALLATION  
(PRE-WALL BOARD)  
FRONT COVER REMOVED FOR CLARITY**

NOTICE: This drawing is the property of AMX LLC. All information contained herein this is not generally known shall be confidential except to the extent the information had been previously established. This drawings may not be copied, reproduced, or used as the basis for manufacture or sale without written permission.

		AMX LLC 3000 RESEARCH DRIVE RICHARDSON, TX 75082	
		MOUNTING SPEC, ROUGH-IN BOX, MODERO 7" WALL TP	
SIZE <b>D</b>	DRAWING NUMBER SP5968-21	REV A	SHEET 2 OF 3
SCALE 1:1			

1

1

2

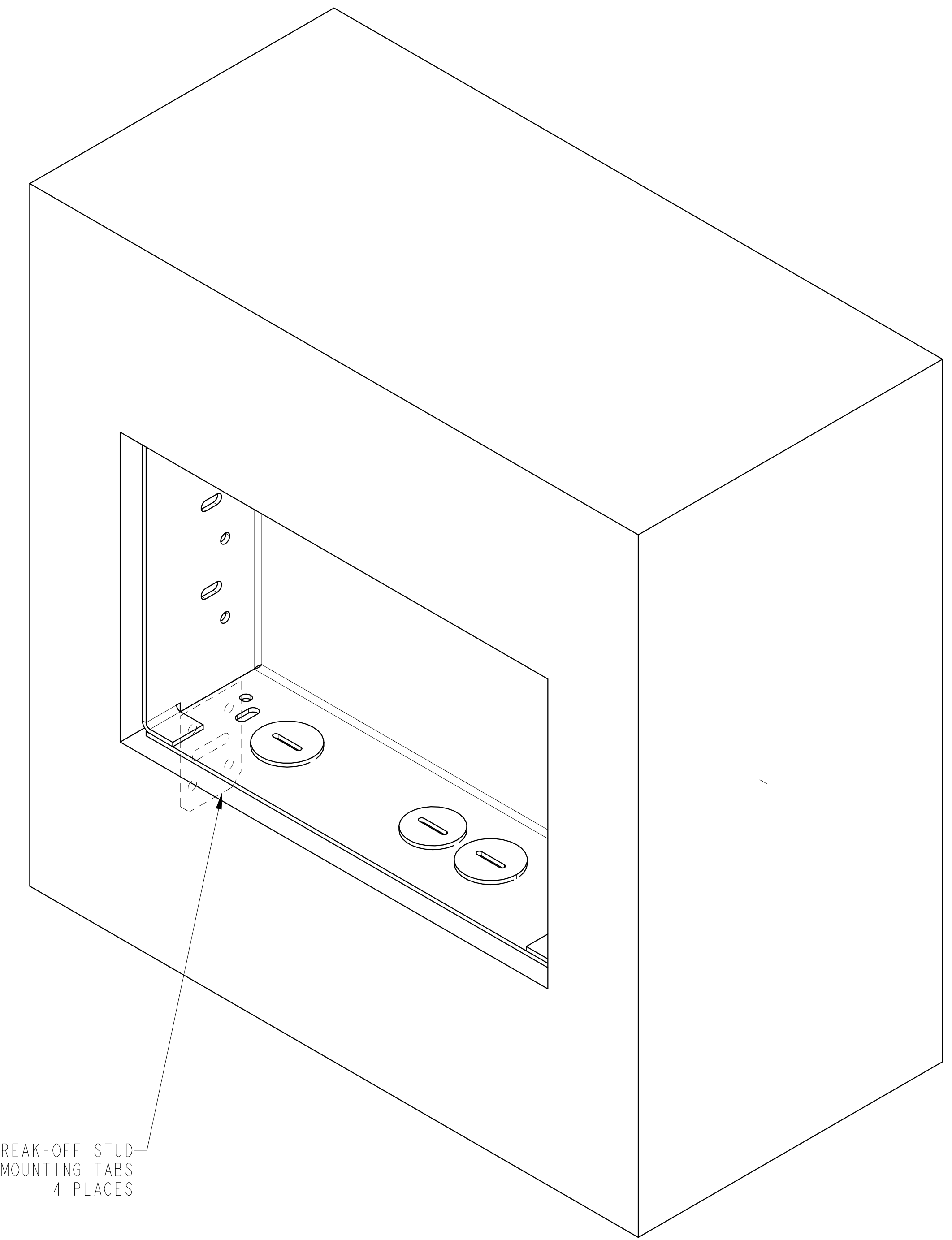
2

3

3

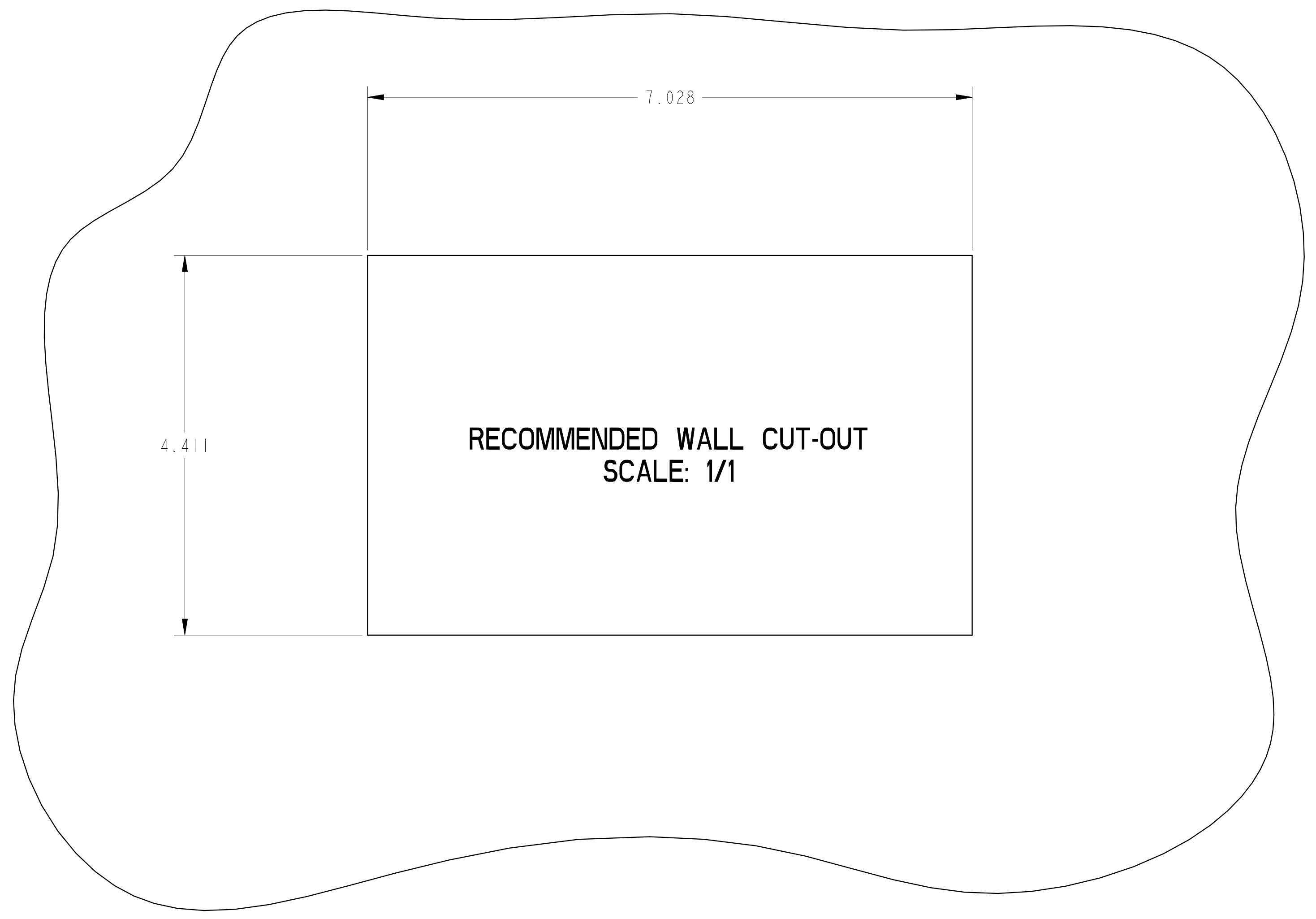
4

4



BREAK-OFF STUD-MOUNTING TABS  
4 PLACES

OLD OR NEW CONSTRUCTION INSTALLATION  
(SET INTO A SOLID WALL)  
FRONT COVER REMOVED FOR CLARITY



RECOMMENDED WALL CUT-OUT  
SCALE: 1/1

NOTICE: This drawing is the property of AMX LLC. All information contained herein this is not generally known shall be confidential except to the extent the information had been previously established. This drawings may not be copied, reproduced, or used as the basis for manufacture or sale without written permission.

<b>AMX</b>		AMX LLC 3000 RESEARCH DRIVE RICHARDSON, TX 75082	
MOUNTING SPEC, ROUGH-IN BOX, MODERO 7" WALL TP			
SIZE <b>D</b>	DRAWING NUMBER SP5968-21	REV A	
SCALE 1:1		SHEET 3 OF 3	

A

B

C

D

E

F

G

H