

Overview

The RDM-3DC Triple DC Module (FG606-62) is a 1920 W module used for the dimming of fluorescent ballast loads. It uses a 0 to 10 VDC current sinking for use with four-wire ballasts. It is designed for use with the RDA series of enclosures, in an AMX Lighting™ modular digital dimming system. The module's 120 and 277 VAC ratings are CE, UL, and C-UL approved.

Caution: Pre-Installation Notes

- All Class 1 wiring must be connected to proper terminals.
- All control wiring must be connected to proper terminals.
- Disconnect power while installing or connecting the unit.
- Keep top and bottom air vents clear at all times.
- Use low-voltage wires with a 300 volt rating or greater.
- Use field installed copper conductors.
- All electrical ratings are for continuous duty.
- For indoor use only.
- Test loads for shorts before connecting.
- This module may require extra power from the AxLink connection or an external power supply connected to the control card.

Connecting the RDM-3DC to the AMX Lighting Master

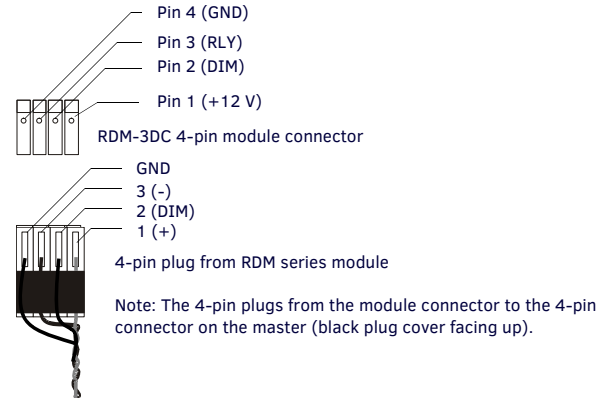


FIG. 2 CONNECTING THE RDM-3DC AND AMX LIGHTING MASTER

Lighting Application Drawings

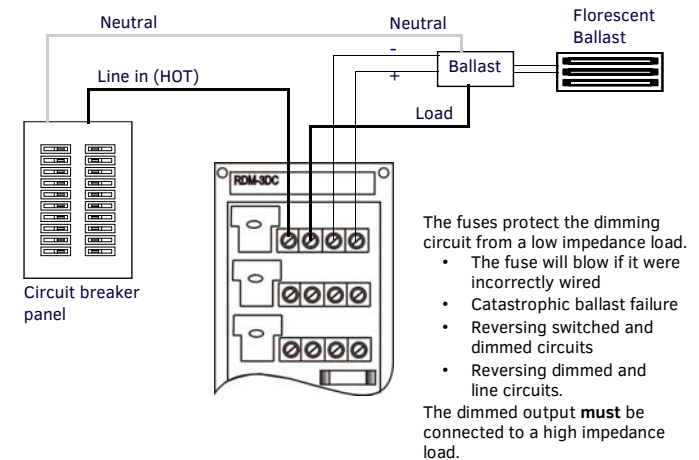


FIG. 3 RDM-3DC APPLICATION WIRING

Warning: Failure to ground the ballast may cause ballast failure

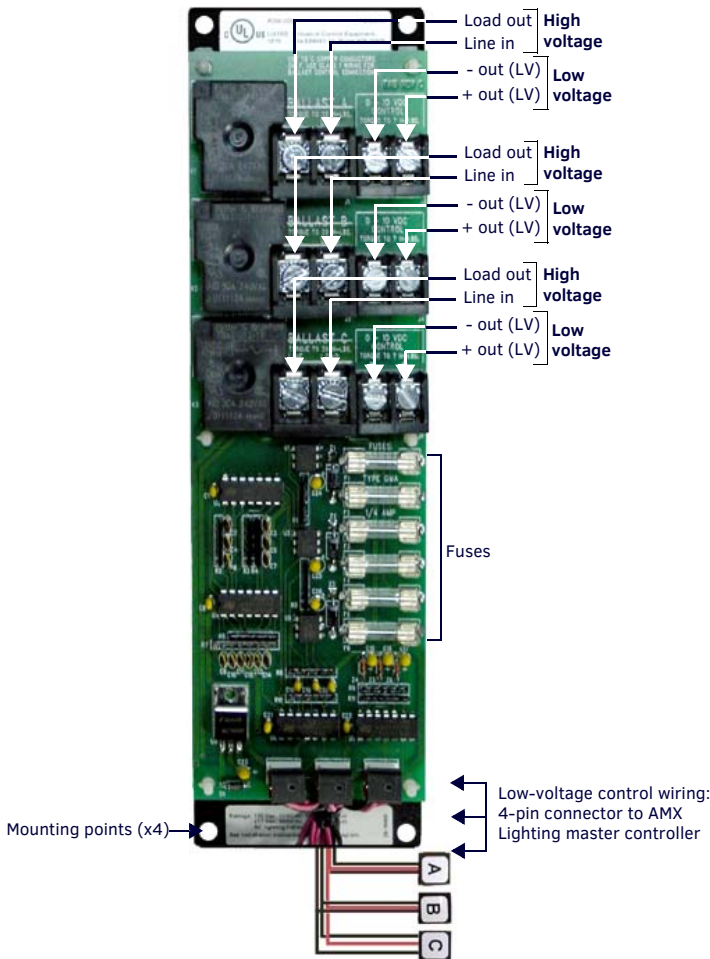


FIG. 1 RDM-3DC

RDM-3DC UL and C-UL Ratings

- 120 VAC, 50/60 Hz, 1920 W
- 277 VAC, 50/60 Hz, 1920 W
- Control Out: 50 mA, 12 VDC sinking

Suggested Dimmed Loads

- Four-wire dimmable ballasts, like Advance Transformer Mark VII™ or the Energy Savings SuperDim™ series

Specifications

- Dimensions (HW): 10" x 2.75" (25.4 cm x 6.99 cm)
- Non-phase dependant
- Use wires rated at 75°C (167°F)
- Torque terminals to 20 in-lbs. (2.3 N/M)
- Max. wire size: 10 AWG (4 mm²)
- Wire stripping length: 0.28" (7 mm)
- Weight: 2.9 lbs. (1.315 kg)
- BTU/hr: 150
- Control current: 125 mA @ 12 VDC per control port