

Overview

The RDM-2FDB Dual Channel Ballast Dimmer (FG606-66) is a 1920 W positive air gap relay and dimmer, built for strength and for reliable switching/dimming of Lutron FDB ballasts. It is designed for use with the RDA series of enclosures, in a AMX Lighting™ modular digital dimming system. The RDM-2FDB module's 120, 240, and 277 VAC ratings are CE, UL, and C-UL approved.

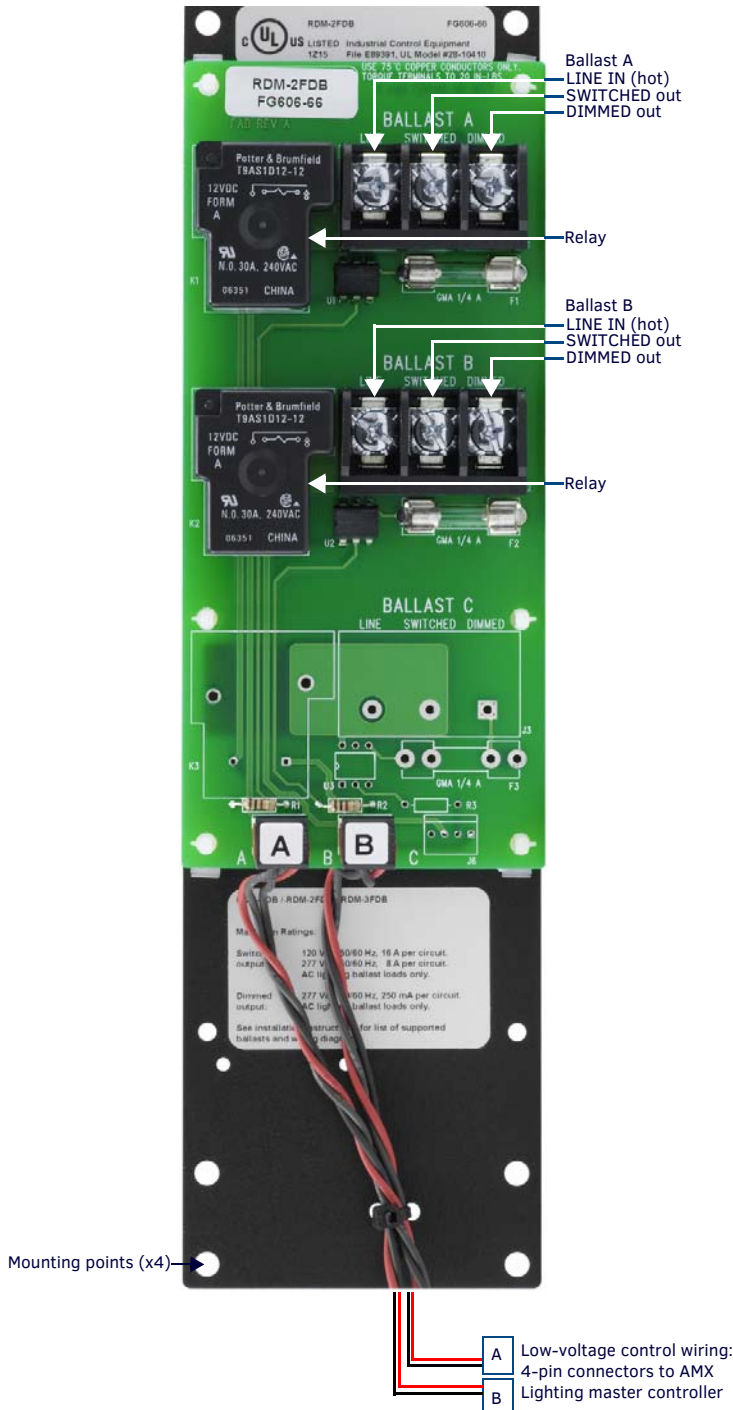


FIG. 1 RDM-2FDB

RDM-2FDB UL and C-UL Ratings

- 120 VAC, 1920 W
- 240/277 VAC, 1920 W

Suggested Dimmed Loads

- Most 3-wire dimmable fluorescent ballasts
- Lutron® Hi-Lume® FDB Ballasts
- Lutron Eco-10® Ballasts

Specifications

- Dimensions (HW): 10.0" x 2.75" (25.4 cm x 6.99 cm)
- Dimmed output protected by a 250 mA GMA 5 x 20 mm fuse
- Phase dependant
- Use wires rated at 75°C (167°F)
- Torque terminals to 20 in-lbs. (2.3 N/M)
- Max. wire size: 10 AWG (4 mm²)
- Wire stripping length: 0.28" (7 mm)
- Weight: 1.5 lbs. (0.68 kg)
- BTU/hr: 5
- Control current: 85 mA @ 12 VDC
- For use with FDB ballasts

Caution: Pre-Installation Notes

- All Class 1 wiring must be connected to proper terminals.
- All control wiring must be connected to proper terminals.
- Disconnect power while installing or connecting the unit.
- Keep top and bottom air vents clear at all times.
- Use field installed copper conductors.
- All electrical ratings are for continuous duty.
- For indoor use only.
- This module may require extra power from the AxLink connection or an external power supply connected to the control card.

Connecting the RDM-2FDB to the AMX Lighting Master

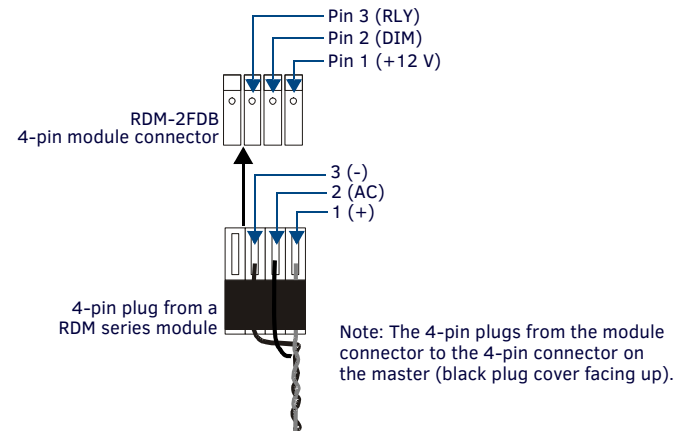


FIG. 2 RDM-2FDB CONNECTIONS

Wiring Diagram

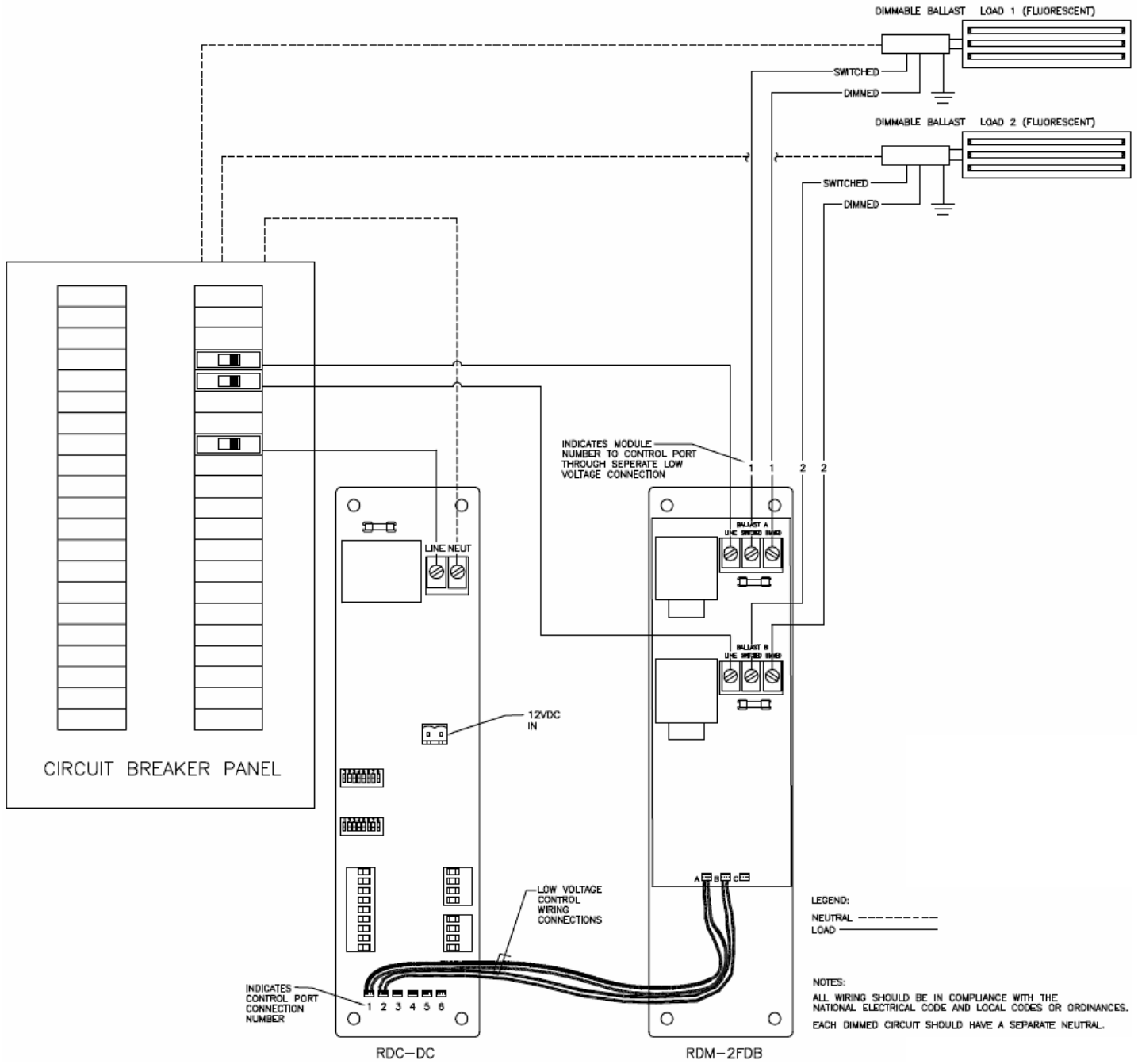


FIG. 3 RDM-2FDB WIRING CONFIGURATION

