

Overview

The CB-MVP-WDS9 Rough-In Box (FG038-13) is an optional accessory for the MVP-WDS-9 Wall Docking Station for the MVP-9000i Modero touch panel. The Rough-In Box allows the docking station to be mounted directly to the studs/pre-wall. The Wall Docking Station is contained within a plastic outer housing or back box, and the back box attaches to the Rough-In Box.

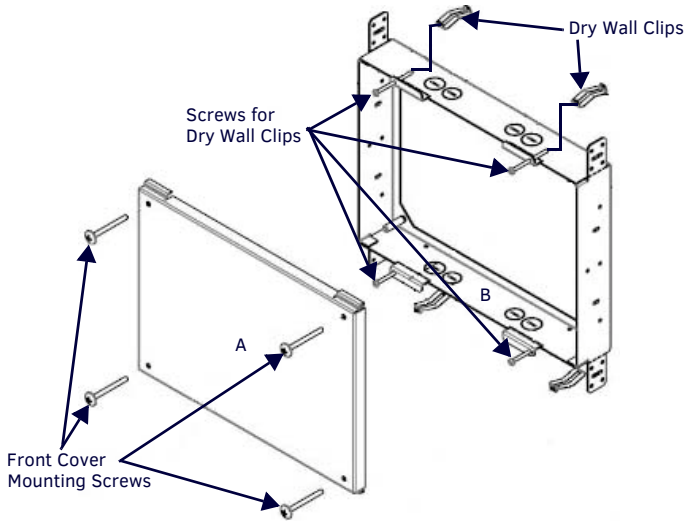


FIG. 1 CP-MVP-WDS9 ROUGH-IN BOX - WITH FRONT AND REAR COVERS

Specifications

CB-MVP-WDS9 (FG038-13) SPECIFICATIONS	
Dimensions (HWD)	11.97" x 12.22" x 1.35" (30.40cm x 31.04cm x 3.43cm)
Weight	<ul style="list-style-type: none"> With cover: 4.60 lbs (2.09kg) Without cover: 3.35 lbs (1.52kg)
Certifications	<ul style="list-style-type: none"> cTUVus Listed UL Listed

CB-MVP-WDS9 (FG038-13) SPECIFICATIONS (CONT.)

Included Accessories:	<ul style="list-style-type: none"> CB-MVP-WDS9 Rough-In Box (62-5967-32) Front Cover (62-5967-35) Front Cover Mounting Screws (4) (80-5967-04) Dry Wall Clips (4) (62-5924-05) Screws for Dry Wall Clips (4) (62-5924-05)
-----------------------	--

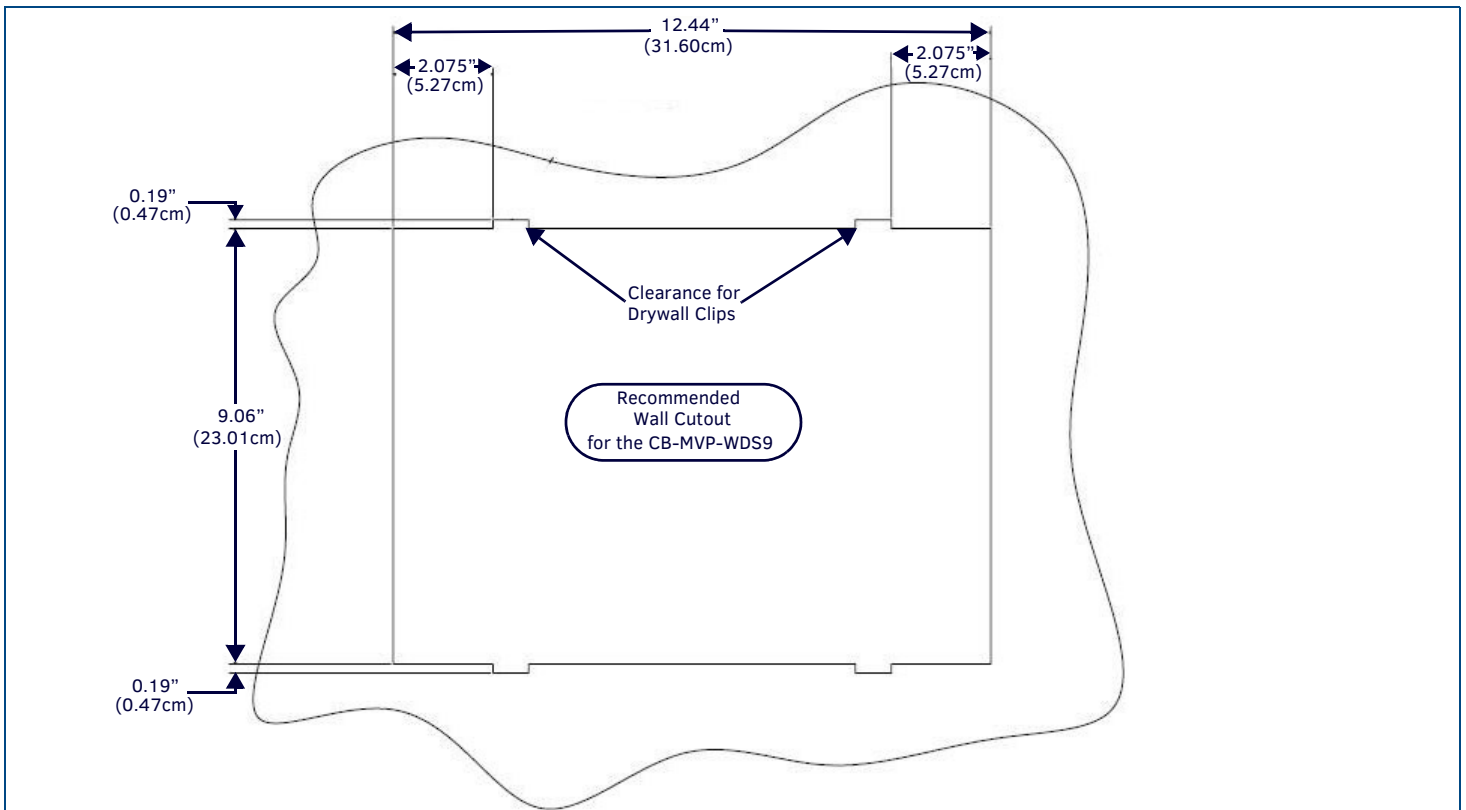
WARNING: To guarantee a stable installation of the MVP-WDS-9, the distance between the CB-MVP-WDS9 and the outer wall surface must be a minimum of .50 inches (1.27cm) and a maximum of .150 inches (3.81cm).

- Refer to the SP5967-01 diagram for detailed installation dimensions.

Pre-Wall Installation of the CB-MVP-WDS9 Rough-In Box

- Remove the rough-in box cover (A in FIG. 1) before installation of the Rough-In Box (B).
- NOTE: The cover MUST be removed before drywall installation. The cover may be reinstalled after drywall installation using 4-40 screws (not included).*
- Fasten the CB-MVP-WDS9 rough-in box to the stud through the holes on the Stud Mounting tabs, using either nails or screws (not provided).
 - Remove the appropriate wiring knockouts from the rough-in box to accommodate the cables being threaded through to the MVP-WDS-9.
 - Thread the incoming Ethernet and USB wiring through the knockouts. Using the left wiring knockouts for USB connector cables and the right wiring knockouts for the LAN/PoE In cable is very highly recommended with this installation. Leave enough slack in the wiring to accommodate installation of the docking station.
 - Install the drywall/sheetrock before inserting the back box for the CB-MVP-WDS9.
 - Cut out the opening for the MVP-WDS-9 where the wall has been placed over the Rough-In Box. Cutting out the surface slightly smaller than what is outlined in the installation drawings, so that you can make any necessary cutout adjustments, is very highly recommended.

NOTE: The front cover of the CB-MVP-WDS9 (A in FIG. 1) should be installed after the appropriate wiring is pulled to the Rough-In Box. The cover should then be removed prior to the installation of the MVP-WDS-9 back box and discarded.



Mounting depth: 1.50" (3.81 cm) maximum
(with .50" [1.27cm] thick wall board)

NOTE: Rough-In Box MUST be secured
on both left and right side of box

Break off flush mount
tabs (4 places)

Stud spacing
12.22" (31.04cm)

New Construction Installation
(Pre Wall Board)

Drywall Clip (62-5924-05)
and Clip Screw (80-0192)

Break off
Stud Mounting
Tabs (4 places)

Use Flush Mounting Tabs
for flush mount applications

Old Construction Installation
(Sheetrock or Wallboard)

Use mounting holes
to secure the Rough-In
Box to the stud

On opposite side of stud,
use Drywall Clip (62-5924-05)
and Clip Screw (80-0192)
(2 places)

Break off
Stud Mounting
Tabs (4 places)

Old Construction Installation
(Using a Stud with Sheetrock)

Mounting depth:
0.35" (0.89cm) minimum
1.50" (3.81 cm) maximum

Break off Stud
Mounting Tabs
(4 places)

Break off Flush
Mounting Tabs
(4 places)(optional)

Old or New Construction Installation
(Set Flush on a Solid Wall)



Last Revised: 11/05/2015

© 2015 Harman. All rights reserved. Modero, AMX, AV FOR AN IT WORLD, and HARMAN, and their respective logos are registered trademarks of HARMAN. Oracle, Java and any other company or brand name referenced may be trademarks/registered trademarks of their respective companies. AMX does not assume responsibility for errors or omissions. AMX also reserves the right to alter specifications without prior notice at any time. The AMX Warranty and Return Policy and related documents can be viewed/downloaded at www.amx.com.

3000 RESEARCH DRIVE, RICHARDSON, TX 75082 AMX.com | 800.222.0193 | 469.624.8000 | +1.469.624.7400 | fax 469.624.7153
AMX (UK) LTD, AMX by HARMAN - Unit C, Auster Road, Clifton Moor, York, YO30 4GD United Kingdom • +44 1904-343-100 • www.amx.com/eu/

93-038-13 REV: C

