

**Overview**

The MET-TTS1-BL (FG5794-41), MET-TTS2-BL (FG5794-42) and MET-TTS3-BL (FG5794-43) Table-Top Stands for Metreau™ Keypads (FIG. 1) provide a table top installation option for conference rooms and residential applications (Keypads not included).



FIG. 1 MET-TTS1-BL, -TTS2-BL AND -TTS3-BL (KEYPADS NOT INCLUDED)

MET-TTS1 SPECIFICATIONS					
Models Available:	<ul style="list-style-type: none"> <li>MET-TTS1-BL (FG5794-41) - holds 1 single-gang Keypad</li> <li>MET-TTS2-BL (FG5794-42) - holds 2 single-gang Keypads</li> <li>MET-TTS3-BL (FG5794-43) - holds 3 single-gang Keypads</li> </ul>				
Compatible With:	<table border="0"> <tr> <td>Metreau AxLink Keypads:</td> <td>Metreau Ethernet Keypads:</td> </tr> <tr> <td> <ul style="list-style-type: none"> <li>MET-6N (FG5794-01-BL)</li> <li>MET-7 (FG5794-03-BL)</li> <li>MET-13 (FG5794-02-BL)</li> </ul> </td> <td> <ul style="list-style-type: none"> <li>MET-6NE-BL (FG5793-01-BL)</li> <li>MET-7E-BL (FG5793-03-BL)</li> <li>MET-13E-BL (FG5793-02-BL)</li> <li>MET-7X-BL (FG5793-13-BL)</li> <li>MET-13X-BL (FG5793-12-BL)</li> </ul> </td> </tr> </table> <p><b>Note:</b> The MET-TTS1/2/3 Table-Top Stands are designed specifically for use only with Metreau Keypads. Do not mount any other device in the MET-TTS1/2/3.</p>	Metreau AxLink Keypads:	Metreau Ethernet Keypads:	<ul style="list-style-type: none"> <li>MET-6N (FG5794-01-BL)</li> <li>MET-7 (FG5794-03-BL)</li> <li>MET-13 (FG5794-02-BL)</li> </ul>	<ul style="list-style-type: none"> <li>MET-6NE-BL (FG5793-01-BL)</li> <li>MET-7E-BL (FG5793-03-BL)</li> <li>MET-13E-BL (FG5793-02-BL)</li> <li>MET-7X-BL (FG5793-13-BL)</li> <li>MET-13X-BL (FG5793-12-BL)</li> </ul>
Metreau AxLink Keypads:	Metreau Ethernet Keypads:				
<ul style="list-style-type: none"> <li>MET-6N (FG5794-01-BL)</li> <li>MET-7 (FG5794-03-BL)</li> <li>MET-13 (FG5794-02-BL)</li> </ul>	<ul style="list-style-type: none"> <li>MET-6NE-BL (FG5793-01-BL)</li> <li>MET-7E-BL (FG5793-03-BL)</li> <li>MET-13E-BL (FG5793-02-BL)</li> <li>MET-7X-BL (FG5793-13-BL)</li> <li>MET-13X-BL (FG5793-12-BL)</li> </ul>				
Enclosure:	Metal with matte black finish				
Dimensions (HWD):	<ul style="list-style-type: none"> <li>Decimal inches: 3.671" x 7.0" x 4.912"</li> <li>Fraction Inches: 3 21/32" x 7" x 4 29/32"</li> <li>Metrics: 9.32cm x 17.78cm x 12.47cm</li> </ul>				
Weight:	1.2 lbs. (0.54 kg)				
Included Accessories:	<ul style="list-style-type: none"> <li>(2, 4 or 6) Keypad Mounting Screws/washers - #4-40, 1/4" (6.35mm)</li> <li>(6) Bezel Screws - #4-20 X 5/16", PFH, Plastite</li> <li>Strain Relief Bracket (62-1800-06)</li> <li>Strain Relief (45-0004-04)</li> <li>Cat 5 to AxLink Cable: <ul style="list-style-type: none"> <li>MET-TTS1-BL - CA1800-01 (single-gang)</li> <li>MET-TTS2-BL - CA1800-02 (double-gang)</li> <li>MT-TTS3-BL - CA1800-03 (triple-gang)</li> </ul> </li> </ul>				

**Installation**

The following sections describe each step required to install Single-gang Metreau Keypads into the MET-TTS1/2/3 Table-Top Stands.

**NOTE:** Before touching the device, discharge the static electricity from your body by touching a grounded metal object.

**Step 1: Disconnect Keypad Wiring**

If connected, disconnect all wiring from the Keypad. FIG. 2 indicates the location of the Rear Panel Components on each Metreau Keypad:

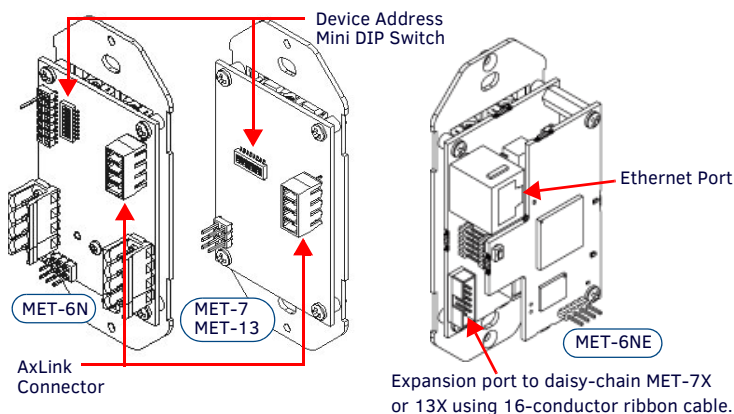


FIG. 2 METREAU KEYPADS - REAR PANEL COMPONENTS

**Step 2: Mount the Keypad(s) Onto the Front Bezel**

Use the included mounting screws to mount the keypad(s) to the Top Bezel:

1. Insert the keypad(s) into the hole(s) in the Front Bezel, from the rear.
2. Use the included mounting screws and washers to secure each keypad to the Bezel, as shown in FIG. 3:

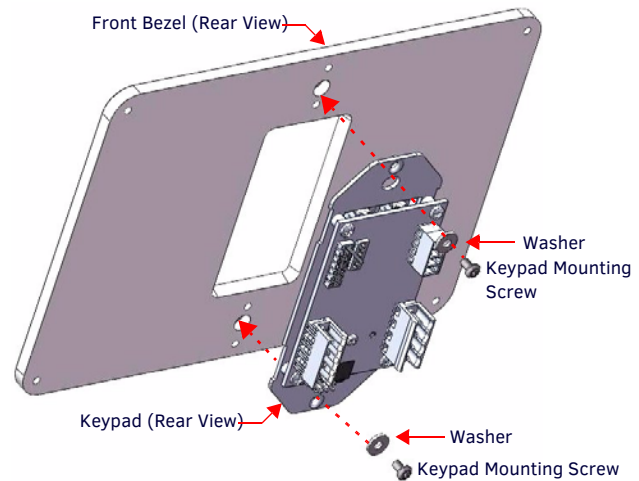


FIG. 3 MOUNTING THE KEYPAD TO THE FRONT BEZEL (MET-TTS1-BL BEZEL SHOWN)

**Step 3: Keypad Addressing and Connection (AxLink only)**

Metreau 6N, 7, and 13 button AxLink Keypads use an 8-position mini-DIP switch on the rear panel to specify a unique device address for each Keypad in a NetLinX Control System. For Ethernet expansion keypads, jump to Step 5.

**Establish AxLink Addresses (non-Ethernet)**

1. Set the DIP switch according to the values defined in the keypad Quick Start Guide.

**Establish Internal AxLink Connections (non-Ethernet)**

MET-TTS Table-Top Stands are equipped with internal pre-wired AxLink cables and connectors that connect directly to the AxLink connectors on the rear panel of the Keypads (see FIG. 2 for the location of the AxLink connector on each Keypad).

**NOTE:** The MET-TTS1 provides one AxLink connector, the MET-TTS2 provides two AxLink connectors, and the MET-TTS3 provides three AxLink connectors. All of the Table-Top Stands feature a single RJ45 port on the rear panel.

The MET-TTS units feature internal circuitry that converts standard AxLink cabling to CAT5. This allows the Table-Top Box to provide a single RJ45 jack on the rear panel, for ease-of-access.

- The included CAT5 to AxLink adapter cable (CA1800-01/02/03) allows for cabling back to the NetLinX Central Controller.
- Use the CAT5 to AxLink cable to terminate the cable to standard AxLink, for connecting to an AxLink port on the Controller.

**AxLink Over CAT5 Cable Details**

The cable used to connect the MET-TTS1/2/3 to the NetLinX Central Controller has special requirements, in order to support AxLink:

- Pins 3 and 6 must be used for Data.

Either use the Orange/White-Orange or Green/White-Green pair depending on the CAT5 cable used outside of the MET-TTS1/2/3:

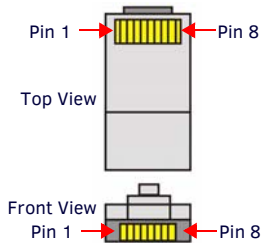
- Standard T568A Wiring uses Orange/White-Orange
- Standard T568B Wiring uses Green/White-Green

**CAT5 (T568A / T568B) CABLE STANDARDS**

Pin	T568A Pair	T568B Pair	Wire	T568A Color	T568B Color
1	3	2	tip	white/green stripe	white/orange stripe
2	3	2	ring	green solid	orange solid
3	2	3	tip	white/orange stripe	white/green stripe
4	1	1	ring	blue solid	blue solid
5	1	1	tip	white/blue stripe	white/blue stripe
6	2	3	ring	orange solid	green solid
7	4	4	tip	white/brown stripe	white/brown stripe
8	4	4	ring	brown solid	brown solid

Pinout information for an AxLink over CAT5 cable:

PINOUTS - AXLINK OVER CAT5/RJ-45 CABLE			
RJ-45 connector		AxLink connector	
Pin	Function	Pin	Function
1	n/c		
2	n/c		
3	AXM	2	AXM
4	12V	4	12V
5	12V	4	12V
6	AXP	3	AXP
7	GND	1	GND
8	GND	1	GND



To connect the Keypad(s) to the internal connector(s) in the Table-Top Stand:

1. Connect the AxLink connectors from inside the Table-Top Stand to the AxLink connector on the rear panel of each of the Keypads (FIG. 4).

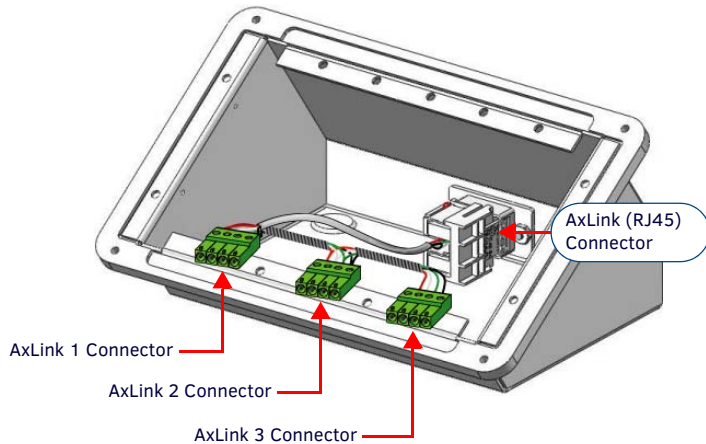


FIG. 4 INTERNAL AXLINK CONNECTORS (MET-TTS1-BL SHOWN)

- The MET-TTS1-BL uses a single AxLink connector (AxLink 1 connector only)
- The MET-TTS2-BL uses two AxLink connectors (AxLink 1 & 2)
- The MET-TTS3-BL uses three AxLink connectors (AxLink 1, 2 & 3)

**NOTE:** AxLink connectors are "keyed" to prevent accidentally connecting them upside-down or in reverse. Be careful not to use excessive force to snap the connectors into place on the Keypad(s).

#### Step 4. Daisy-Chain Expansion Connection (Ethernet only)

1. If installing expansion keypads (MET-7X and MET-13X) next to the MET-6NE Ethernet keypad, connect the expansion keypads to the expansion ports using the 16-conductor ribbon cable per the MET-6NE Quick Start Guide.
2. Leave the RJ45 connector off of the back of the TTS mounting solution to provide routing access and connect the Ethernet cable directly to the MET-6NE keypad.
3. If needed, use the included strain relief solution to secure the entry cable to the table-top stand. Refer to *Secure Mounting / Alternate Cable Routing in the adjacent column*.

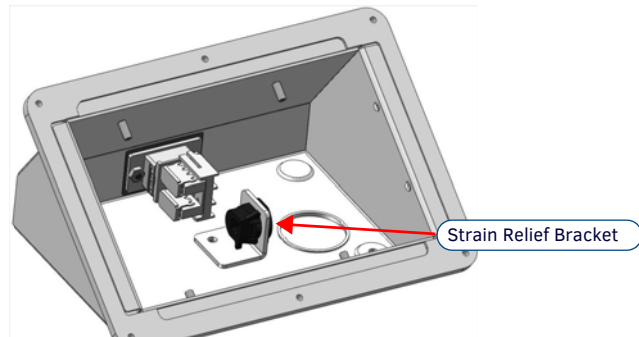


FIG. 5 BOTTOM PANEL (ALTERNATE CABLE ROUTING)

4. Follow the MET-6NE keypad Quick Start Guide for details on configuration.

#### Step 5: Mounting the Front and Rear Bezels to the Enclosure

Once the keypad(s) have been mounted to the Front Bezel, the Front and Rear Bezels can be installed on the enclosure (refer to FIG. 6):

1. Slide the Rear Bezel onto the Table-Top Stand enclosure from the rear.

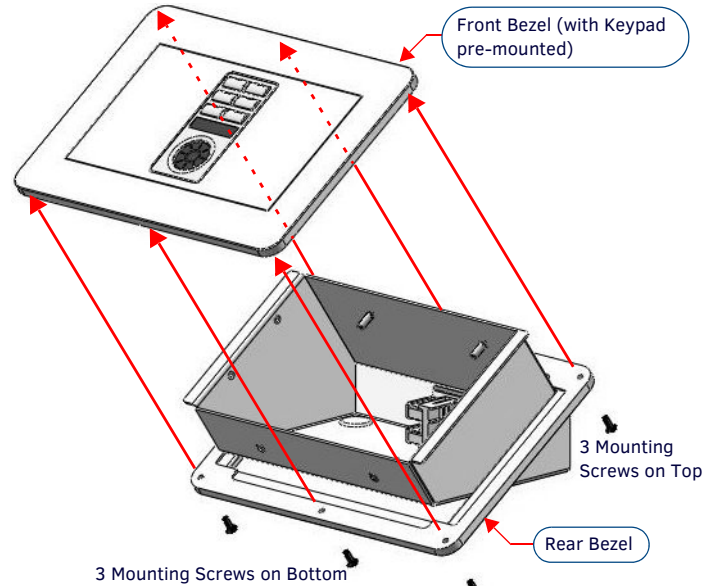


FIG. 6 MET-TTS1-BL EXPLODED VIEW

2. Slide the Front Bezel (with Keypad(s) mounted) onto the Table-Top Stand from the front.
3. Use the 6 provided Bezel screws to secure the Rear Bezel to the Front Bezel using the mounting holes provided on the rear surface of the Front Bezel. The Bezel screws are installed from the rear.

#### Secure Mounting / Alternate Cable Routing

The MET-TTS1/2/3-BL features a cable routing knockout on the bottom panel, mounting holes and internal strain relief to provide a secure table-top installation option (FIG. 7).

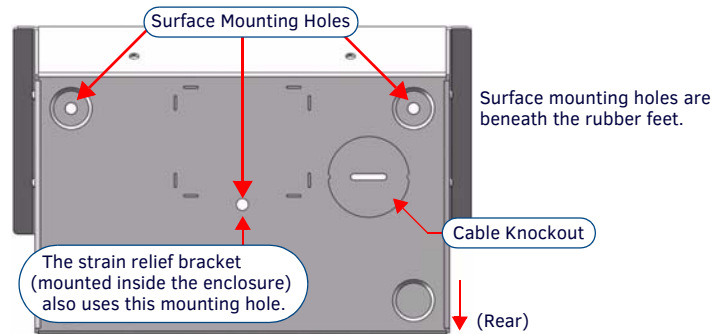


FIG. 7 BOTTOM PANEL (ALTERNATE CABLE ROUTING)

Refer to the *TTS Secure Mounting / Alternate Cable Routing Installation Guide* (available at [www.amx.com](http://www.amx.com)) for instructions.

#### Additional Documentation

Refer to the *Metreau™ Keypads Operation/Reference Guide* (available at [www.amx.com](http://www.amx.com)) for details on wiring and connection information for the Keypads.

