

Overview

The MET-TTS1-BL (FG5794-41), MET-TTS2-BL (FG5794-42) and MET-TTS3-BL (FG5794-43) Table-Top Stands for Metreau™ Keypads (FIG. 1) provide a table top installation option for conference rooms and residential applications (Keypads not included).



FIG. 1 MET-TTS1-BL, -TTS2-BL AND -TTS3-BL (KEYPADS NOT INCLUDED)

MET-TTS1 SPECIFICATIONS	
Models Available:	<ul style="list-style-type: none"> MET-TTS1-BL (FG5794-41) - holds 1 single-gang Keypad MET-TTS2-BL (FG5794-42) - holds 2 single-gang Keypads MET-TTS3-BL (FG5794-43) - holds 3 single-gang Keypads
Compatible With:	Single-gang Metreau Keypads: <ul style="list-style-type: none"> MET-6N (FG5794-01-cc) MET-7 (FG5794-03-cc) MET-13 (FG5794-02-cc) <i>Note: The NXA-TTS1/2/3 Table-Top Stands are designed specifically for use only with Metreau Keypads. Do not mount any other device in the NXA-TTS1/2/3.</i>
Enclosure:	Metal with matte black finish
Dimensions (HWD):	<ul style="list-style-type: none"> Decimal inches: 3.671" x 7.0" x 4.912" Fraction Inches: 3 21/32" x 7" x 4 29/32" Metrics: 9.32cm x 17.78cm x 12.47cm
Weight:	1.2 lbs. (0.54 kg)
Included Accessories:	<ul style="list-style-type: none"> (2, 4 or 6) Keypad Mounting Screws/washers - #4-40, 1/4" (6.35mm) (6) Bezel Screws - #4-20 X 5/16", PFH, Plastite Strain Relief Bracket (62-1800-06) Strain Relief (45-0004-04) Cat 5 to AxLink Cable: <ul style="list-style-type: none"> MET-TTS1-BL - CA1800-01 (single-gang) MET-TTS2-BL - CA1800-02 (double-gang) MET-TTS3-BL - CA1800-03 (triple-gang)

Installation

The following sections describe each step required to install Single-gang Metreau Keypads into the MET-TTS1/2/3 Table-Top Stands.

Note: Before touching the device, discharge the static electricity from your body by touching a grounded metal object.

Step 1: Disconnect Keypad Wiring

If connected, disconnect all wiring from the Keypad. FIG. 2 indicates the location of the Rear Panel Components on each Metreau Keypad:

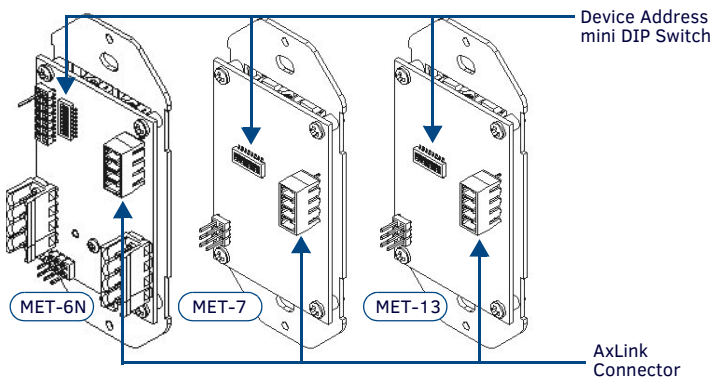


FIG. 2 METREAU KEYPADS - REAR PANEL COMPONENTS

Step 2: Mount the Keypad(s) Onto the Front Bezel

Use the included mounting screws to mount the keypad(s) to the Top Bezel:

1. Insert the keypad(s) into the hole(s) in the Front Bezel, from the rear.
2. Use the included mounting screws and washers to secure each keypad to the Bezel, as shown in FIG. 3:

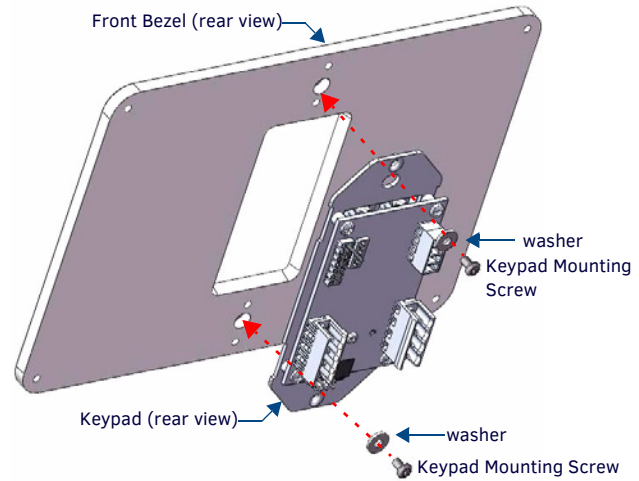


FIG. 3 MOUNTING THE KEYPAD TO THE FRONT BEZEL (MET-TTS1-BL BEZEL SHOWN)

Step 3: Establish Keypad Addressing

Metreau Keypads use an 8-position mini-DIP switch on the rear panel to specify a unique device address for each Keypad in a NetLinX Control System.

To set a unique device address for each Keypad:

1. Locate the 8-position mini-DIP switch on the rear panel (see FIG. 4).
2. Set the DIP switch according to the values shown in FIG. 4.

Switch	1	2	3	4	5	6	7	8
Value	1	2	4	8	16	32	64	128

Example (129)

FIG. 4 8-POSITION MINI-DIP SWITCH

The device number is set by the total value of DIP switch positions that are in the ON position. Note that the ON position is indicated on the DIP Switch. As an example, the DIP switch in FIG. 4 defines AxLink device number 129 (1+128=129).

Note: If you later change the device number, remove and reconnect the power connector to enter the new device number into memory.

Step 4: Establish Internal AxLink Connections

MET-TTS Table-Top Stands are equipped with internal pre-wired AxLink cables and connectors that connect directly to the AxLink connectors on the rear panel of the Keypads (see FIG. 2 for the location of the AxLink connector on each Keypad).

Note: The MET-TTS1 provides one AxLink connector, the MET-TTS2 provides two AxLink connectors, and the MET-TTS3 provides three AxLink connectors. All of the Table-Top Stands feature a single RJ45 port on the rear panel.

The MET-TTS units feature internal circuitry that converts standard AxLink cabling to CAT5. This allows the Table-Top Box to provide a single RJ45 jack on the rear panel, for ease-of-access.

- The included CAT5 to AxLink adapter cable (CA1800-01/02/03) allows for cabling back to the NetLinX Central Controller.
- Use the CAT5 to AxLink cable to terminate the cable to standard AxLink, for connecting to an AxLink port on the Controller.
- FIG. 5 provides an illustration of the Cat 5 to AxLink Cable connector inside the MET-TTS1/2/3 enclosures:

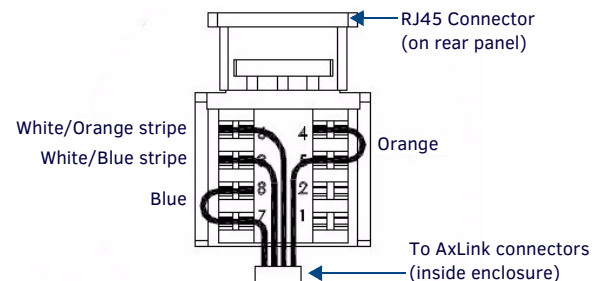


FIG. 5 AXLINK-TO-RJ45 CONNECTOR (INSIDE THE MET-TTS ENCLOSURE)

AxLink Over CAT5 Cable Details

The cable used to connect the MET-TTS1/2/3 to the NetLinx Central Controller has special requirements, in order to support AxLink:

Pins 3 and 6 must be used for Data.

You should use either the *Orange/White-Orange* or *Green/White-Green* pair depending on the CAT5 cable used outside of the MET-TTS1/2/3:

- Standard T568A Wiring uses *Orange/White-Orange*:
- Standard T568B Wiring uses *Green/White-Green*

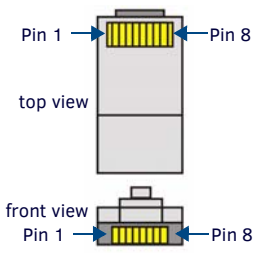
CAT5 (T568A / T568B) CABLE STANDARDS

Pin	T568A Pair	T568B Pair	Wire	T568A Color	T568B Color
1	3	2	tip	white/green stripe	white/orange stripe
2	3	2	ring	green solid	orange solid
3	2	3	tip	white/orange stripe	white/green stripe
4	1	1	ring	blue solid	blue solid
5	1	1	tip	white/blue stripe	white/blue stripe
6	2	3	ring	orange solid	green solid
7	4	4	tip	white/brown stripe	white/brown stripe
8	4	4	ring	brown solid	brown solid

Pinout information for an AxLink over CAT5 cable:

PINOUTS - AXLINK OVER CAT5/RJ-45 CABLE

RJ-45 connector		AxLink connector	
Pin	Function	Pin	Function
1	n/c		
2	n/c		
3	AXM	2	AXM
4	12V	4	12V
5	12V	4	12V
6	AXP	3	AXP
7	GND	1	GND
8	GND	1	GND



To connect the Keypad(s) to the internal connector(s) in the Table-Top Stand:

Connect the AxLink connectors from inside the Table-Top Stand to the AxLink connector on the rear panel of each of the Keypads (FIG. 6).

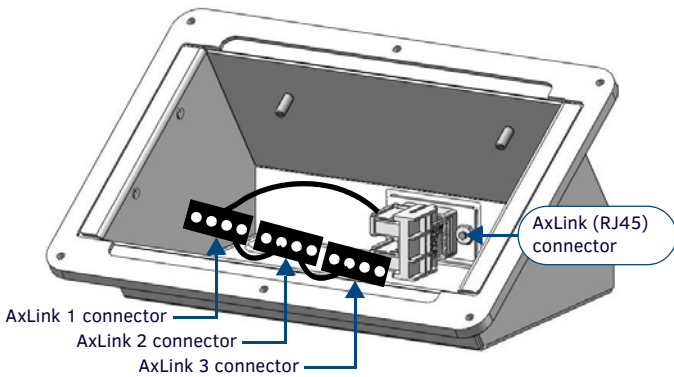


FIG. 6 INTERNAL AXLINK CONNECTORS (MET-TTS3-BL SHOWN)

- The MET-TTS1-BL uses a single AxLink connector (AxLink 1 connector only)
- The MET-TTS2-BL uses two AxLink connectors (AxLink 1 & 2)
- The MET-TTS3-BL uses three AxLink connectors (AxLink 1, 2 & 3)

Note: AxLink connectors are "keyed" to prevent accidentally connecting them upside-down or in reverse. Be careful not to use excessive force to snap the connectors into place on the Keypad(s).

Step 5: Mounting the Front and Rear Bezels to the Enclosure

Once the keypad(s) have been mounted to the Front Bezel, the Front and Rear Bezels can be installed on the enclosure (refer to FIG. 7):

1. Slide the Rear Bezel onto the Table-Top Stand enclosure from the rear.

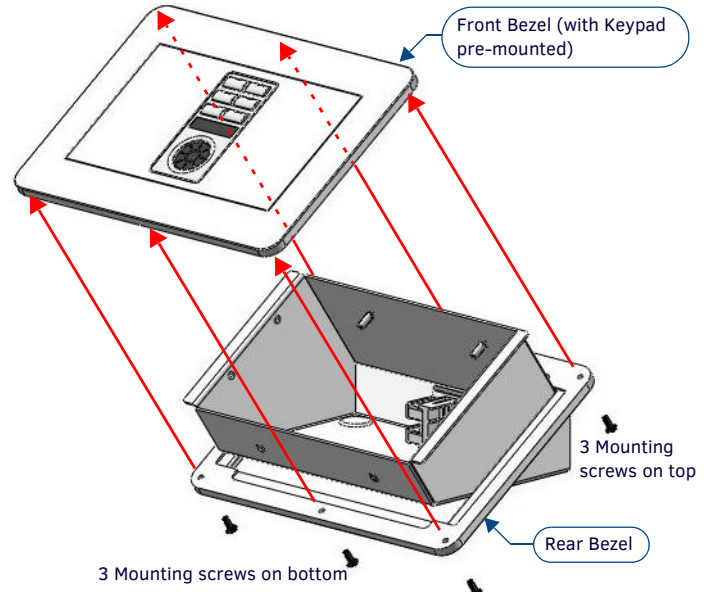


FIG. 7 MET-TTS1-BL EXPLODED VIEW

2. Slide the Front Bezel (with Keypad(s) mounted) onto the Table-Top Stand from the front.
3. Use the 6 provided Bezel screws to secure the Rear Bezel to the Front Bezel using the mounting holes provided on the rear surface of the Front Bezel. The Bezel screws are installed from the rear.

Secure Mounting / Alternate Cable Routing

The MET-TTS1/2/3-BL features a cable routing knockout on the bottom panel, mounting holes and internal strain relief to provide a secure table-top installation option (FIG. 8).

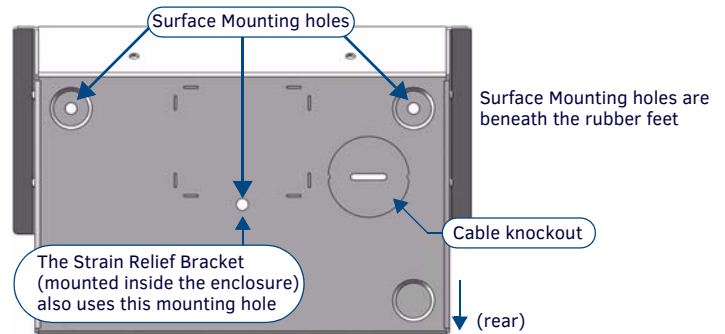


FIG. 8 BOTTOM PANEL (ALTERNATE CABLE ROUTING)

Refer to the *TTS Secure Mounting / Alternate Cable Routing Installation Guide* (available at www.amx.com) for instructions.

Additional Documentation

Refer to the *Metreau™ Keypads Operation/Reference Guide* (available at www.amx.com) for details on wiring and connection information for the Keypads.



Last Revised: 11/05/2015

© 2015 Harman. All rights reserved. Metreau, AMX, AV FOR AN IT WORLD, HARMAN, and their respective logos are registered trademarks of HARMAN. Oracle, Java and any other company or brand name referenced may be trademarks/registered trademarks of their respective companies. AMX does not assume responsibility for errors or omissions. AMX also reserves the right to alter specifications without prior notice at any time. The AMX Warranty and Return Policy and related documents can be viewed/downloaded at www.amx.com.
3000 RESEARCH DRIVE, RICHARDSON, TX 75082 AMX.com | 800.222.0193 | 469.624.8000 | +1.469.624.7400 | fax 469.624.7153
AMX (UK) LTD, AMX by HARMAN - Unit C, Auster Road, Clifton Moor, York, YO30 4GD United Kingdom • +44 1904-343-100 • www.amx.com/eu/

93-5794-40 REV: E

