

### Overview

For more detailed installation, configuration, programming, and operating instructions, refer to the *Mio Modero DMS & Mio Modero DMS Pinnacle* instruction manual available on-line at [www.amx.com](http://www.amx.com).

Mio Modero DMS Rough-in Box (FG039-11) Specifications	
Dimensions (HWD)	6.25 (158.8 mm) x 3.08 (78.3 mm) x 3.50 (88.9 mm)
Weight	<ul style="list-style-type: none"> <li>Rough-in box - .85 lbs (.39 kg)</li> <li>Magnetic Post Housing - .10 lbs (.05 kg) (MA2408-01)</li> </ul>
Certifications:	<ul style="list-style-type: none"> <li>UL 508A</li> </ul>
Included Accessories:	<ul style="list-style-type: none"> <li>4 screws, #2-56 X .250 (800105)</li> <li>1 ground screw, #8-32 X 3/8 wafer head, green (80-0149)</li> <li>Mounting template (68-2408-01)</li> </ul>
Other AMX Equipment:	<ul style="list-style-type: none"> <li>Mio Modero DMS (FG2408-01xx)</li> <li>Mio Modero DMS Pinnacle (FG2408-02xx)</li> <li>xx indicates color</li> </ul>

### Installation

It is recommended that you cutout the surface slightly smaller than what is outlined in the installation drawings so that you can make any necessary cutout adjustments.

Before you begin, if you are using the 2-pin power connector, verify that the terminal end of the power cable is not connected to a power source.

**Note:** The device and rough-in box must have an Earth ground.

If assembled, pull the Mio Modero DMS from the rough-in box.

#### Installation of the Rough-in Box

- Remove the tabs for the expansion clip installation from the rough-in box by bending back and forth with pliers. See FIG. 1.
- Use screws through the rough-in tabs to the stud.  
The rough-in box is 3.5" (8.89 cm) deep. The front of the rough-in box should be flush with the front surface of the sheetrock.  
While the rough-in box can be recessed it should never stand proud to the surface.
- Run 12V or CAT5/6 cable and an Earth ground wire into the rough-in box. Locations to run power wiring into the rough-in box are shown in FIG. 1.

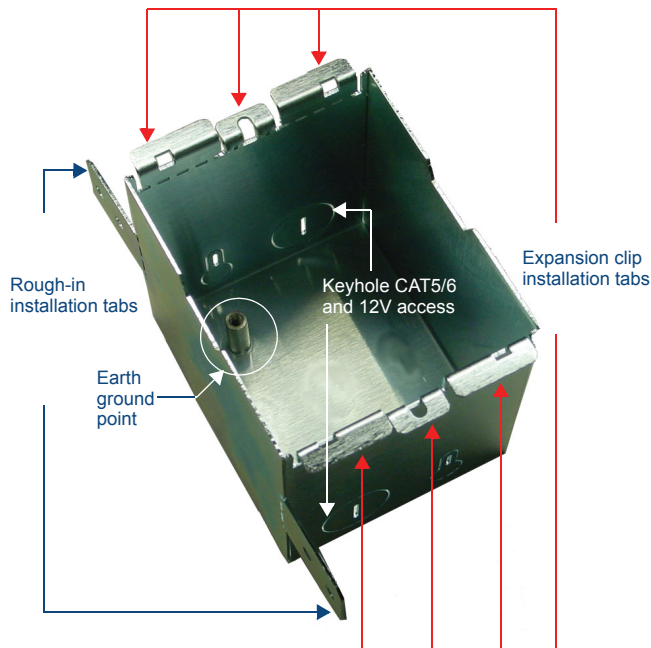


FIG. 1 Mio Modero DMS Rough-in Box

- Insert the cardboard paint shield into the rough-in box if the Mio Modero DMS will not be installed at this time.

#### Expansion Clip Installation of the Rough-in Box

The expansion clip installation method can be used for podium or other flat surface installations.

- Cut out the surface for the Mio Modero DMS rough-in box using the dimensions shown in FIG. 2. A template is included to help you determine dimensions.

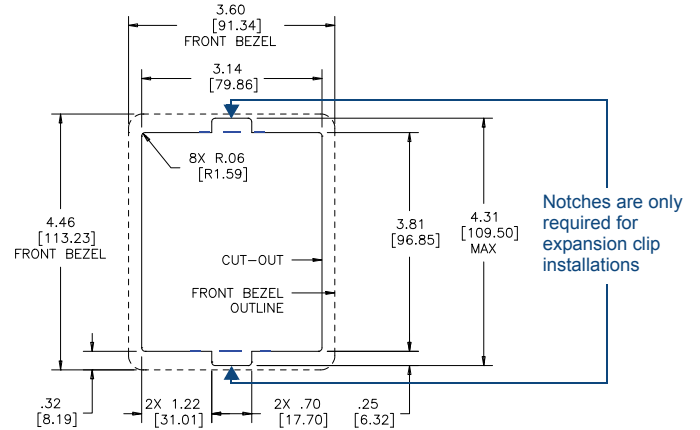


FIG. 2 Mio Modero DMS Cutout Installation Dimensions

- Remove the tabs for the rough-in installation from the rough-in box by bending back and forth with pliers. See FIG. 1.
- Thread the CAT5/CAT6, the Earth ground wire and, if necessary, the power cables through one of the provided breakaway access points on the rough-in box.  
Leave enough slack in the wiring to accommodate any re-positioning of the unit.
- Thread the 2 drywall screws through the 2 locations center on both top and bottom of the rough-in box (FIG. 1) and then through the expansion clips.
- Insert the rough-in box and expansion clips into the cutout until the rim of the rough-in box is flush against the wall.
- Tighten the 2 drywall clip sets (screws and clips) until the rough-in box is flush against the wall.
- Insert the provided cardboard paint shield into the rough-in box if the Mio Modero DMS will not be installed at this time.

#### Installing the Rough-in Box without the Use of Tabs

A brick and mortar installation environment is a great example where no tabs are required.

- Remove both the tabs for the rough-in installation and expansion clip installation from the rough-in box by bending back and forth with pliers. See FIG. 1.
- Thread the CAT5/CAT6, the Earth ground wire and, if necessary, the power cables through one of the provided breakaway access points on the rough-in box. Leave enough slack in the wiring to accommodate any re-positioning of the unit.
- Insert the provided cardboard paint shield into the rough-in box.
- While conducting this installation, confirm nothing gets into the rough-in box, i.e., mortar.

## Mounting the Magnetic Post Housing on a Mio Modero DMS

If the Mio Modero does not already have the magnetic post housing attached, follow these steps. The Mio Modero DMS will not stay in the rough-in box without the magnetic post housing. Only the new rough-in box can be used with the magnetic posts.

To avoid any damage to the electronic component, installation must be performed in an ESD safe environment.

1. If in the wall, remove the Mio Modero DMS from the rough-in box.
  - a. Place a flathead screwdriver between the tab of the rough-in box and the notch of the Mio Modero DMS and pop the two apart.
  - b. Pull the bottom of the unit out (pivoting on the top clip) until it seems to bind against the shielding; while keeping the unit at this angle, pull the top of the unit away from the top clip.
2. Place the Mio Modero DMS unit face down on a flat surface.
3. Unscrew the 4 points illustrated in FIG. 3.

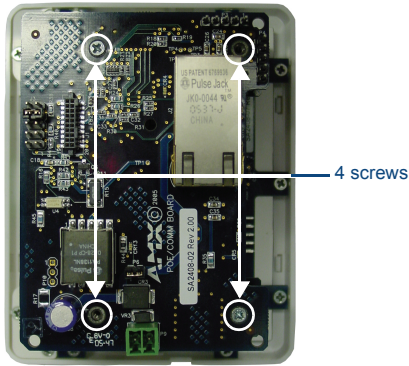


FIG. 3 Rear View of Mio Modero DMS

4. Screw 4 standoffs provided with the rough-in box kit into the holes from the previous step.
5. Place the hex post over the hole illustrated in FIG. 4 and fasten it down with the screw on the bottom side of the board.

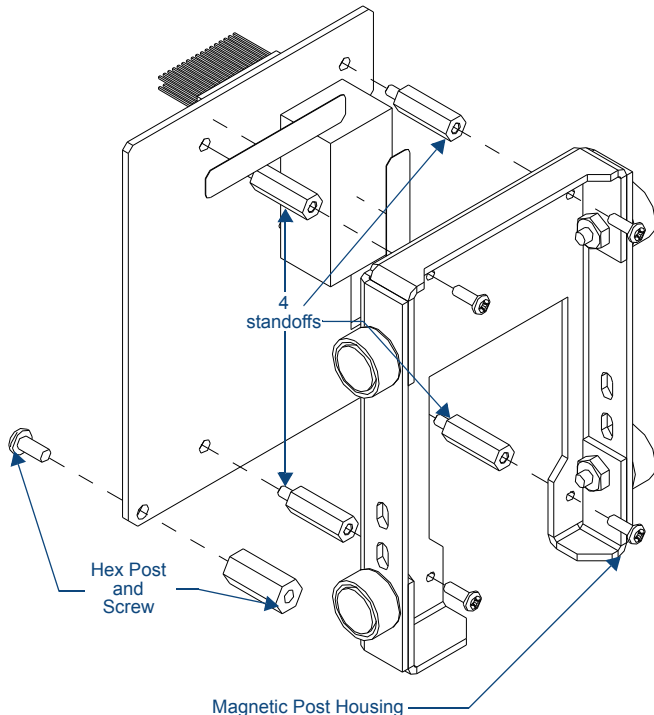


FIG. 4 4 Standoffs and Hex Post locations

6. Place and fasten the magnetic housing onto the standoffs as illustrated in FIG. 5. Note the orientation of the cutout on the magnetic housing in relation to the Mio Modero DMS board, it should not be mounted in any other fashion. Use either the 4 screws removed in step #3 or the 4 screws provided with the kit (for those that already lost the other 4 screws).

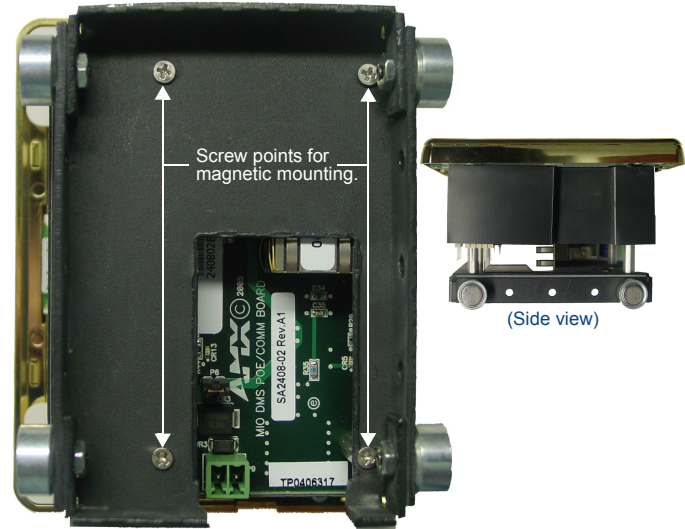


FIG. 5 Rear and side view of magnetic housing

7. Insert the provided cardboard paint shield into the rough-in box if the Mio Modero DMS will not be installed at this time.

