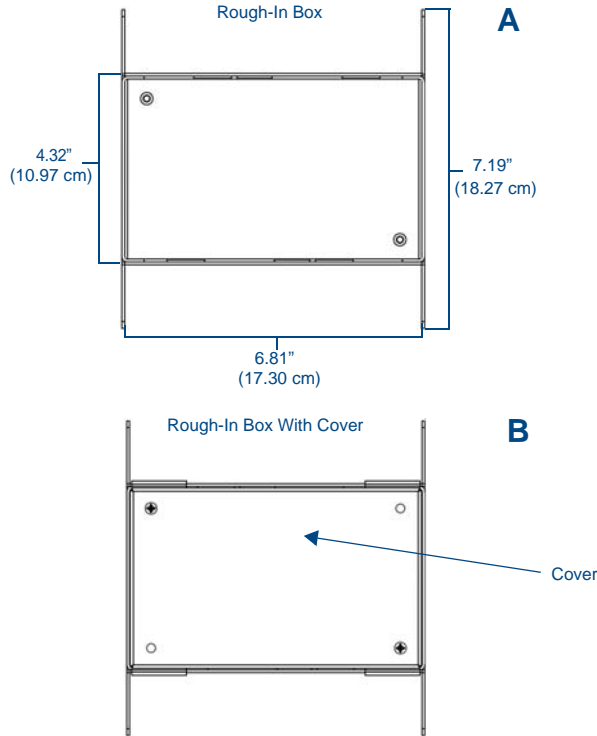


### Overview

The CB-MXP7 Rough-In Box (**FG039-18**) is an optional accessory for the Modero X Series® 7" Wall Mount Touch Panel. It allows the panel to be mounted directly to the studs/pre-wall.

The back of the Modero X Series 7" Wall Mount Touch Panel is contained within a plastic outer housing or *back box*, and the back box attaches to the Rough-In Box. The Rough-In Box kit includes a wall box and cover and mounting screws.



**FIG. 1** CB-MXP7 Rough-In Box - with front cover

### Specifications

CB-MXP7 (FG039-18) Specifications	
Dimensions (HWD)	<ul style="list-style-type: none"> <li>Rough-In Box: 7.19" x 6.81" x 1.90" (18.27 cm x 17.29 cm x 4.82 cm)</li> <li>Rough-In Box Cover Plate: 4.44" x 6.81" x 0.36" (11.28 cm x 17.29 cm x 0.91 cm)</li> </ul>
Weight	<ul style="list-style-type: none"> <li>With cover: 1.65 lbs (0.75 kg)</li> <li>Without cover: 1.20 lbs. (0.54 kg)</li> </ul>
Certifications	<ul style="list-style-type: none"> <li>cTUVus Listed</li> <li>UL Listed</li> </ul>
Included Accessories:	<ul style="list-style-type: none"> <li>Cover Plate for Rough-in Box (<b>62-5968-37</b>)</li> <li>Back Box to Rough-In Box Mounting Screws (4) (<b>80-5967-03</b>)</li> <li>Cover Plate to Rough-In Box Mounting Screws (4) (<b>80-5967-03</b>)</li> </ul>

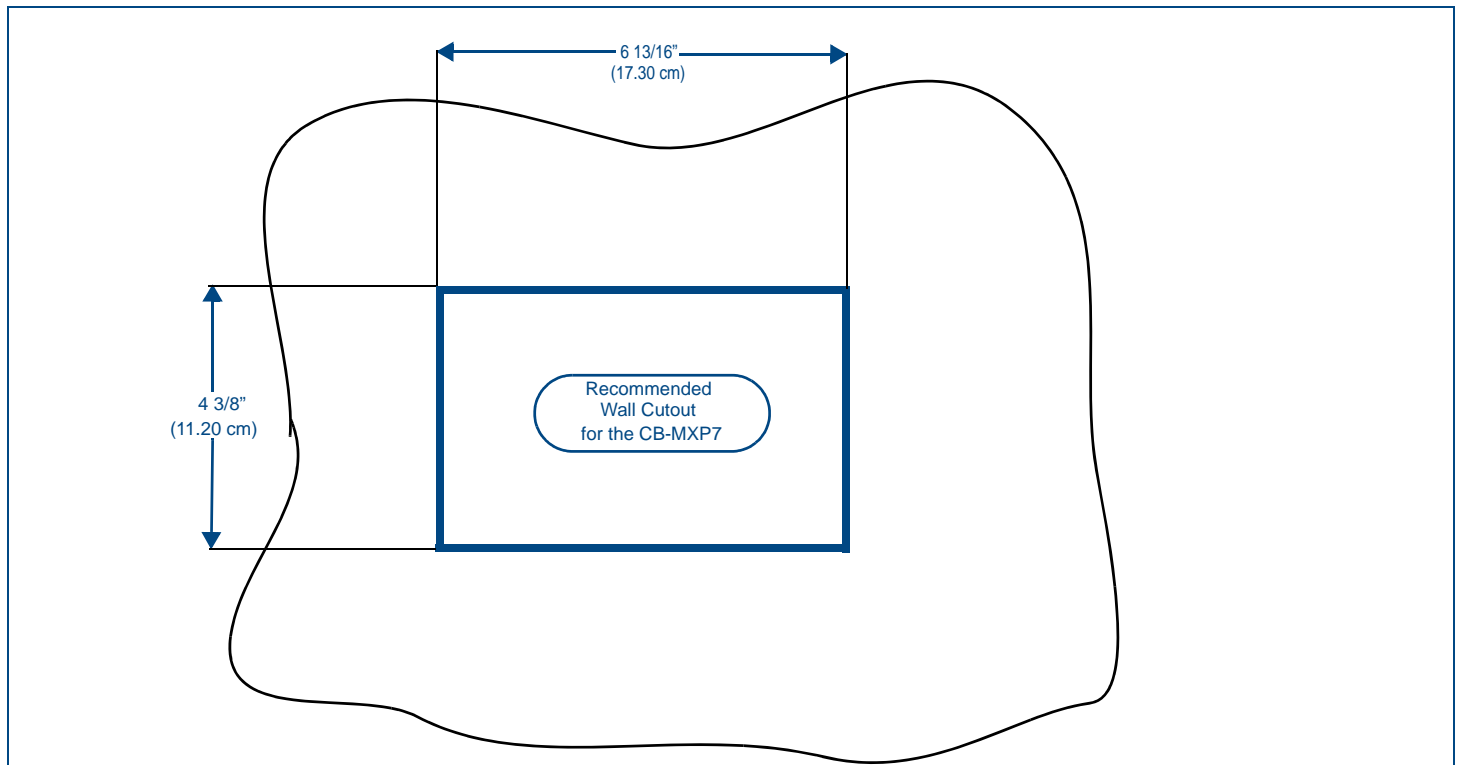
**WARNING:** In order to guarantee a stable installation of the touch panel, the distance between the CB-MXP7 and the outer wall surface must be a minimum of .50 inches (1.27cm) and a maximum of .1.50 inches (3.81cm).

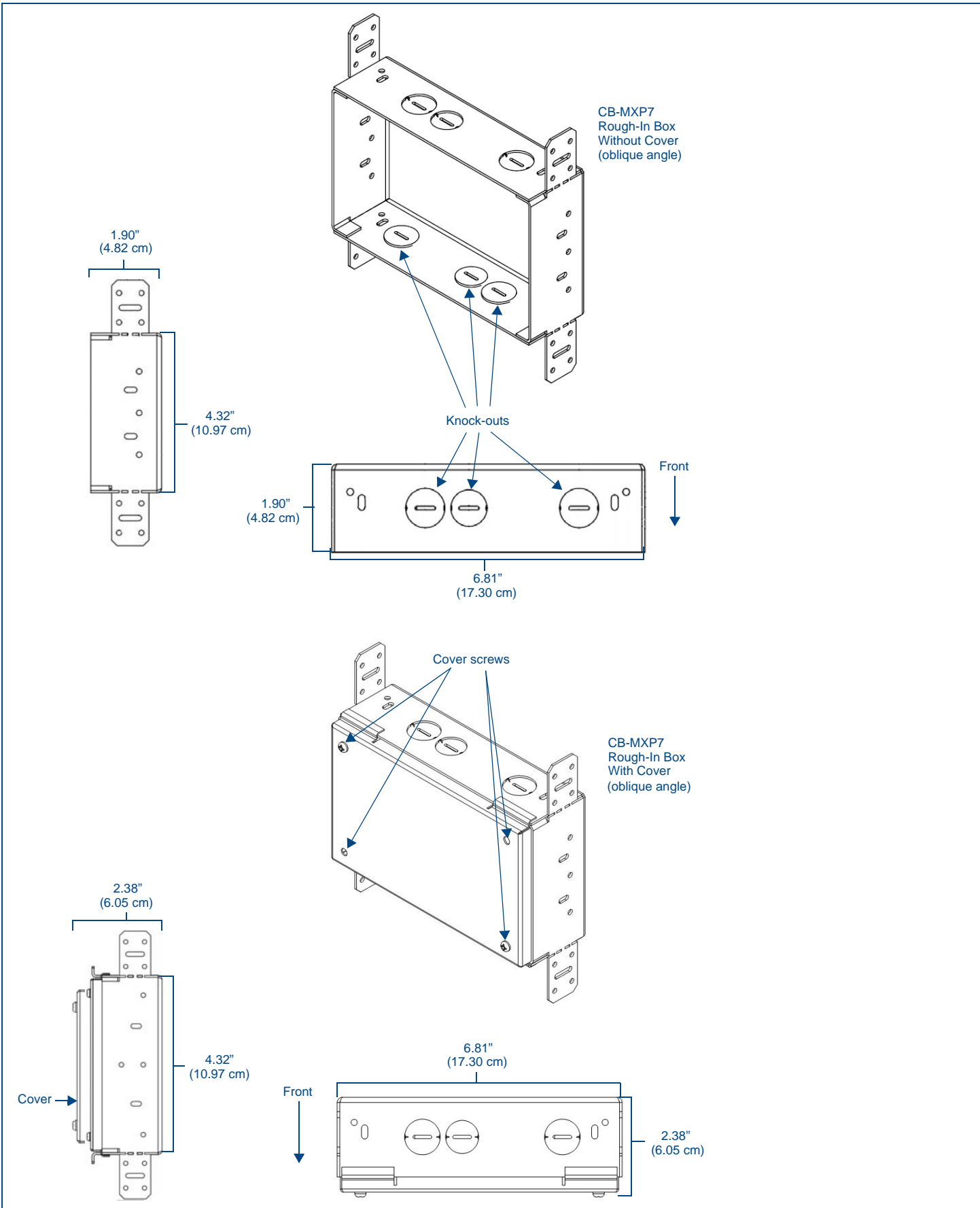
- Refer to the 95-5968-35 diagram for detailed installation dimensions.

### Pre-Wall Installation of the CB-MXP7 Rough-In Box

- Remove the rough-in box cover (**B** in FIG. 1) before installation of the Rough-In Box (**A**). **Note:** the cover **MUST** be removed before drywall installation. The cover may be reinstalled after drywall installation using 4-40 screws (not included).
- Fasten the CB-MXP7 rough-in box to the stud through the holes on the Stud Mounting tabs, using either nails or screws (not provided).
- Remove the appropriate wiring knockouts from the rough-in box to accommodate the cables being threaded through to the 7" Wall Mount Touch Panel.
- Thread the incoming Ethernet and USB wiring through the knockouts. Using the left wiring knockouts for USB connector cables and the right wiring knockouts for the LAN/PoE In cable is very highly recommended with this installation. Leave enough slack in the wiring to accommodate installation of the docking station.
- Install the drywall/sheetrock before inserting the back box for the CB-MXP7.
- Cut out the opening for the Wall Mount Touch Panel back box where the wall has been placed over the Rough-In Box. Cutting out the surface slightly smaller than what is outlined in the installation drawings, so that you can make any necessary cutout adjustments, is very highly recommended.

**NOTE:** The front cover of the CB-MXP7 (**B** in FIG. 1) should be installed after the appropriate wiring is pulled to the Rough-In Box. The cover should then be removed prior to the installation of the touch panel back box and discarded.





For full warranty information, refer to the AMX Instruction Manual(s) associated with your Product(s).

