

**Overview**

The CB-MXP43 Rough-In Box (FG039-19) is an optional accessory for the Modero X Series® 4.3" Wall Mount Touch Panel. It allows the panel to be mounted directly to the studs/pre-wall.

The back of the Modero X Series 4.3" Wall Mount Touch Panel is contained within a plastic outer housing or *back box*, and the back box attaches to the Rough-In Box. The Rough-In Box kit includes a wall box and cover and mounting screws.

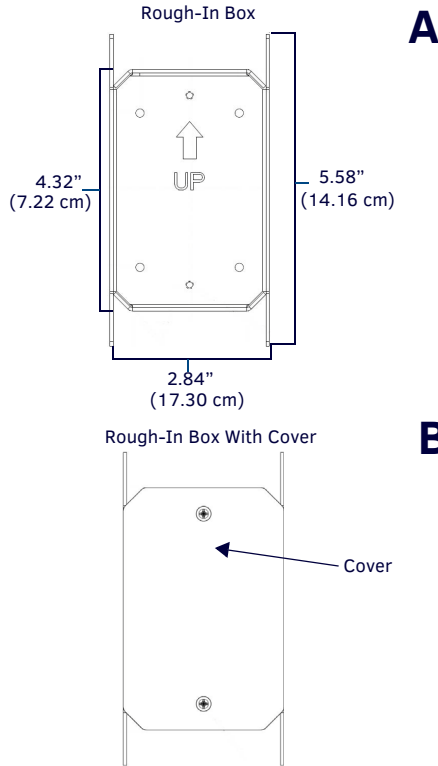


FIG. 1 CB-MXP43 ROUGH-IN BOX - WITH FRONT COVER

**Specifications**

CB-MXP43 (FG039-19) SPECIFICATIONS	
Dimensions (HWD)	<ul style="list-style-type: none"> <li>Rough-In Box: 5.58" x 2.84" x 2.21" (14.16 cm x 7.22 cm x 5.60 cm)</li> <li>Rough-In Box Cover Plate: 4.32" x 2.84" x 0.06" (10.96 cm x 7.22 cm x 1.52 mm)</li> </ul>
Weight	<ul style="list-style-type: none"> <li>With cover: 0.90 lbs (0.75 kg)</li> <li>Without cover: 0.70 lbs. (0.32 kg)</li> </ul>
Certifications	<ul style="list-style-type: none"> <li>cTUVus Listed</li> <li>UL Listed</li> </ul>
Included Accessories:	<ul style="list-style-type: none"> <li>Cover Plate for Rough-in Box (62-5968-39)</li> <li>Cover Plate to Rough-In Box Mounting Screws (2) (80-0139-06)</li> </ul>

**WARNING:** In order to guarantee a stable installation of the touch panel, the distance between the CB-MXP43 and the outer wall surface must be a minimum of .50 inches (1.27cm) and a maximum of .1.50 inches (3.81cm).

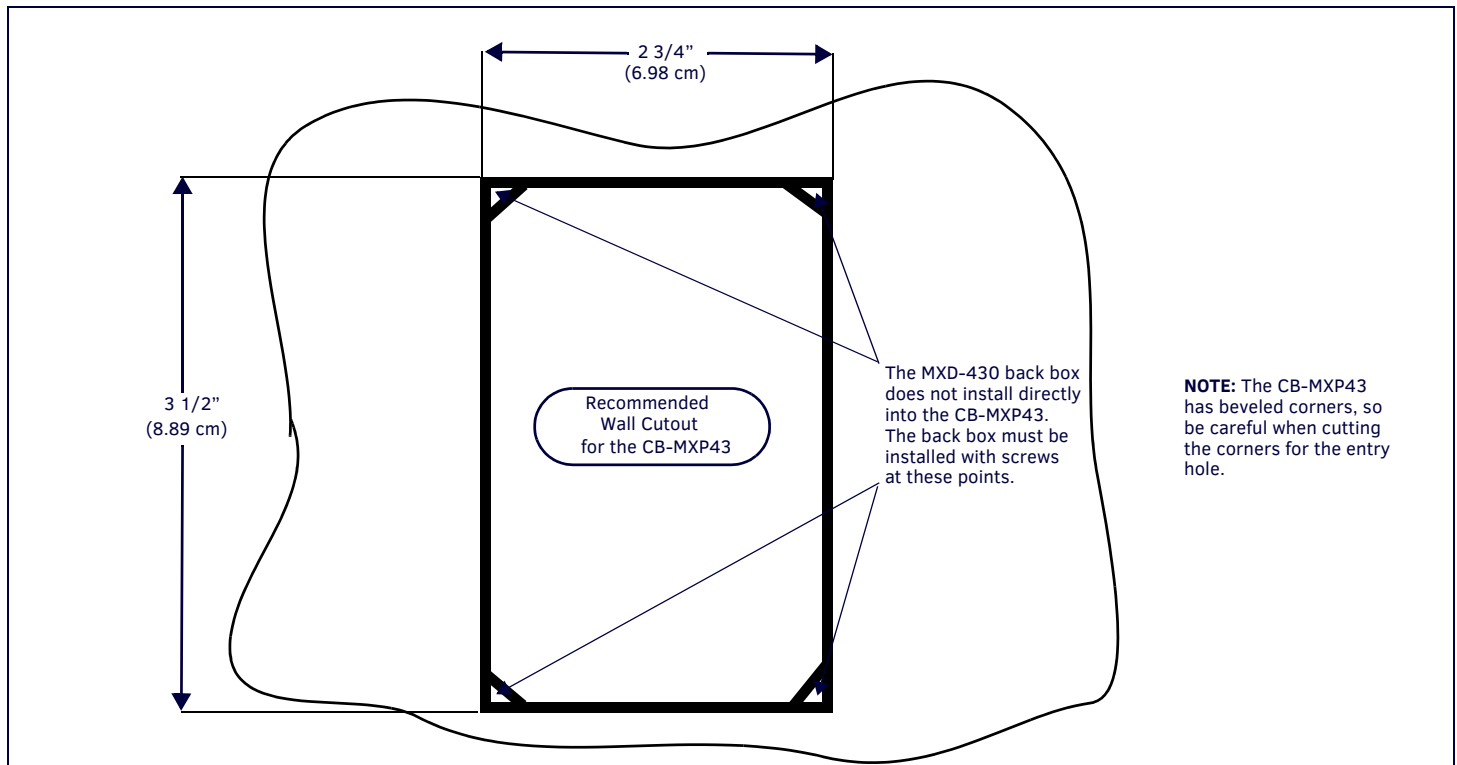
- Refer to the 95-5968-38 diagram for detailed installation dimensions.

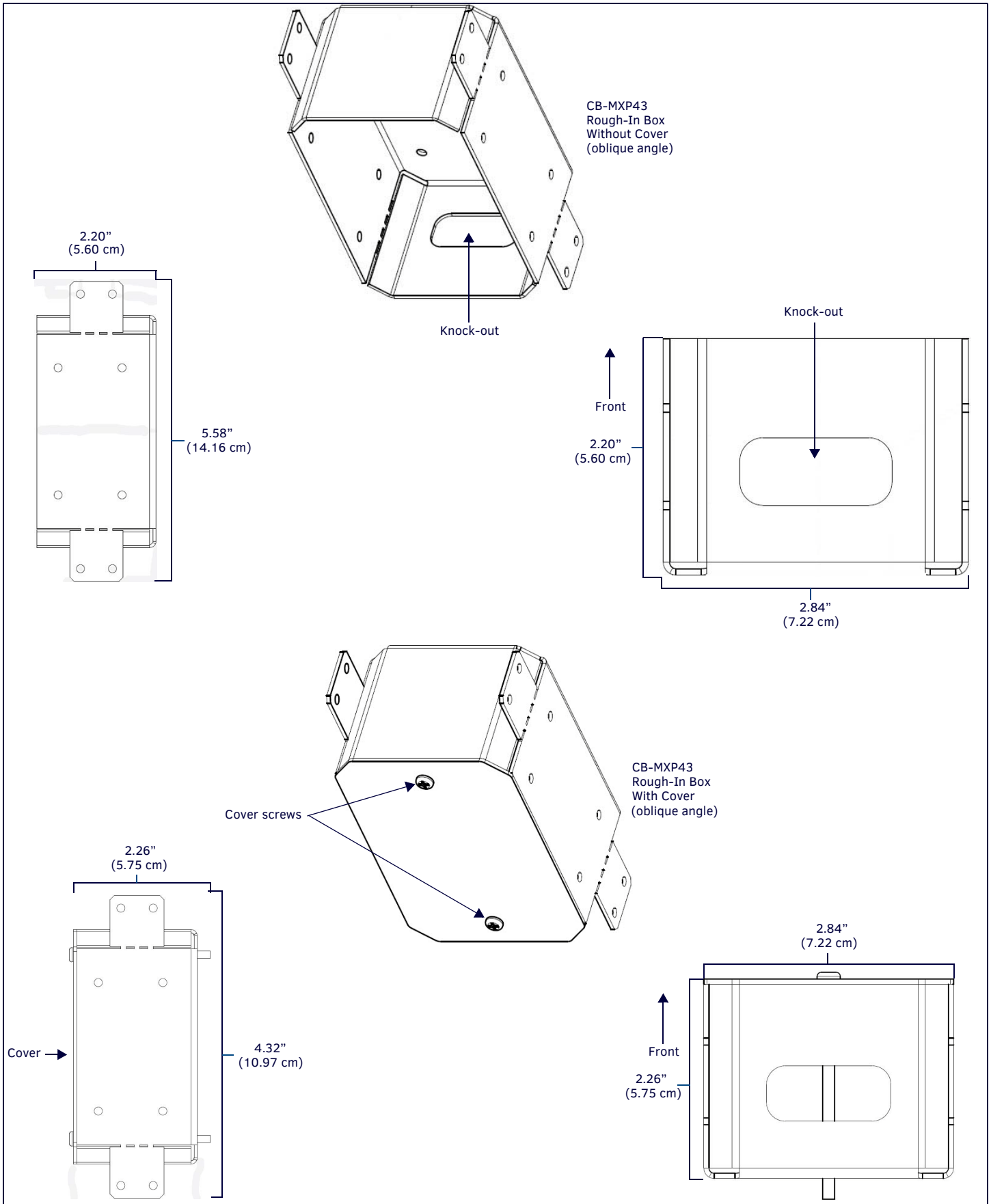
**Pre-Wall Installation of the CB-MXP43 Rough-In Box**

- Remove the rough-in box cover (B in FIG. 1) before installation of the Rough-In Box (A). *Note: the cover MUST be removed before drywall installation. The cover may be reinstalled after drywall installation using 4-40 screws (not included).*
- Fasten the CB-MXP43 rough-in box to the stud through the holes on the Stud Mounting tabs, using either nails or screws (not provided).
- Remove the appropriate wiring knockouts from the rough-in box to accommodate the cables being threaded through to the 7" Wall Mount Touch Panel.
- Thread the incoming Ethernet and USB wiring through the bottom knockout. Leave enough slack in the wiring to accommodate installation of the touch panel.
- Install the drywall/sheetrock before inserting the back box for the CB-MXP43.
- Cut out the opening for the Wall Mount Touch Panel back box where the wall has been placed over the Rough-In Box. Cutting out the surface slightly smaller than what is outlined in the installation drawings, so that you can make any necessary cutout adjustments, is very highly recommended.

**NOTE:** The front cover of the CB-MXP43 (B in FIG. 1) should be installed after the appropriate wiring is pulled to the Rough-In Box. The cover should then be removed prior to the installation of the touch panel back box and discarded.

**NOTE:** The touch panel's back box does not mount to the CB-MXP43. The back box still has to attach to the wall with 4 screws in each corner of the box. (See diagram below.)





© 2015 Harman. All rights reserved. Modero, Modero X Series, AMX, AV FOR AN IT WORLD, and HARMAN, and their respective logos are registered trademarks of HARMAN. Oracle, Java and any other company or brand name referenced may be trademarks/registered trademarks of their respective companies.

AMX does not assume responsibility for errors or omissions. AMX also reserves the right to alter specifications without prior notice at any time. The AMX Warranty and Return Policy and related documents can be viewed/downloaded at [www.amx.com](http://www.amx.com).

3000 RESEARCH DRIVE, RICHARDSON, TX 75082 AMX.com | 800.222.0193 | 469.624.8000 | +1.469.624.7400 | fax 469.624.7153

AMX (UK) LTD, AMX by HARMAN - Auster Road, Clifton Moor, York, YO30 4GD United Kingdom • +44 1904-343-100 • [www.amx.com/eu/](http://www.amx.com/eu/)

93-0039-19 REV: D

