

Overview

The CB-MXP-43-F Flush Mount Rough-In Box (FG5968-82) is an optional accessory for the Modero X Series 4.3" Wall Mount Touch Panel. It is designed to be flush mounted in new construction applications with drywall.

The back of the Modero X Series 4.3" Wall Mount Touch Panel is contained within a plastic outer housing or *back box*, and the back box attaches to the Rough-In Box. The Rough-In Box kit includes a wall box, cover, and mounting screws.

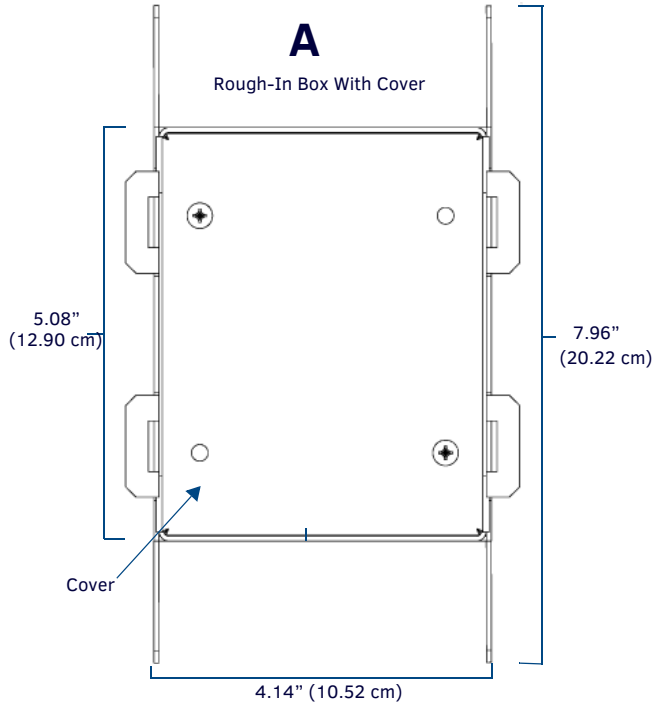


FIG. 1 CB-MXP-43-F FLUSH MOUNT ROUGH-IN BOX

Specifications

CB-MXP-43-F SPECIFICATIONS	
Dimensions (HWD)	• Rough-In Box: 7.96" x 5.08" x 3.47" (20.22 cm x 12.9 cm x 8.8 cm)
Weight	• Without cover: 1.80 lbs (0.82 kg)
Certifications	• UL Listed
Included Accessories:	• Cover Plate to cover Rough-In Box (62-5968-94) • Rough-In Box Cover Mounting Screws (2) (80-5967-05)

Drywall and Stud Mounting

1. Remove the cover in FIG. A from the rough-in box before installation.
2. Break the four bent tabs around the front of the box off (Fig B).
3. Mount the metal box with its leading edge flush with the stud using wood screws (not included) through the box flanges and interior as shown below.
4. Remove the appropriate wiring knockouts from the rough-in box to accommodate the cables being threaded through to the wall mount touch panel.
5. Thread the incoming cable through one of the two knockouts (top or bottom). Leave enough slack in the wiring to accommodate installation of the flush mount kit.
6. After drywall is installed (with cover removed), use a rotary cutting tool or drywall saw to cut to the inside dimensions of the rough-in box. If using the included front tabs cover, small notches may be needed to clear the four raised tabs on the cover. Do not shave off more drywall than necessary for clearance to insure that the flush mount kit will cover the entire opening after installation.

Note: The front cover shown in FIG. A should be installed after the appropriate wiring is pulled to the Rough-In Box. The cover should then be removed prior to the installation of the touch panel back box and discarded.

