

Overview

The CB-TP7 Rough-In Box is an optional accessory for 7" Modero® Wall/Flush Mount Touch Panels. The Rough-In Box allows the panel to be mounted directly to the studs/pre-wall and includes a wall box and mounting screws.

Wall Mount panels (NXDs) are contained within a metallic outer housing (back box). This back box is **not removed** when installing the NXD into a Rough-In Box. The back box is **only** removed to gain access for the replacement of the Compact Flash component or upgrade to the VESA housing.

Specifications

| CB-TP7 (FG035-10) Specifications | |
|----------------------------------|--|
| Dimensions (HWD) | <ul style="list-style-type: none"> • 5 1/2" x 7 1/4" x 3 3/8" • 13.9 cm x 18.4 cm x 8.6 cm |
| Included Accessories | <ul style="list-style-type: none"> • 2 Phillips pan-head (#4-40 x 0.250 Black) screws |
| Certifications | <ul style="list-style-type: none"> • UL 508A |

WARNING: INSTALLER, LEAVE A GAP BETWEEN THE STUD AND ROUGH-IN BOX TO ACCOMMODATE THE DRYWALL/SHEETROCK.
This gap allows the installation of the drywall/sheetrock after the CB-TP7 has been mounted onto the beams. The rough-in box installation must be done prior to any wall installation.

Note: The most important thing to remember when mounting this rough-in box is that the mounting tabs must be mounted flush against the outside of the sheetrock. It is recommended that you cut out the surface slightly smaller than what is outlined in the installation drawings so that you can make any necessary cutout adjustments. The wiring knockouts on the left side will be used for the NXD-CV7 Wall Mount panel connectors, so always secure the rough-in box to the stud using the Stud Mounting Holes on the right side of the box.

Pre-Wall Installation of the CP-TP7 Rough-In Box

- Refer to the SP225802 diagram for detailed installation dimensions (see reverse).
 - Cutting out the surface slightly smaller than what is outlined in the installation drawings, in order to make any necessary cutout adjustments, is highly recommended.
 - The wiring knockouts on the left side will be used for the NXD-CV7 Wall Mount panel connectors, so always secure the rough-in box to the stud using the Stud Mounting Holes on the right side of the box.
1. Remove the rough-in box cover (A in FIG. 1) before installation of the Rough-In Box (B). **Note:** the cover **MUST** be removed before drywall installation. The cover may be reinstalled after drywall installation using 4-40 screws (not included).

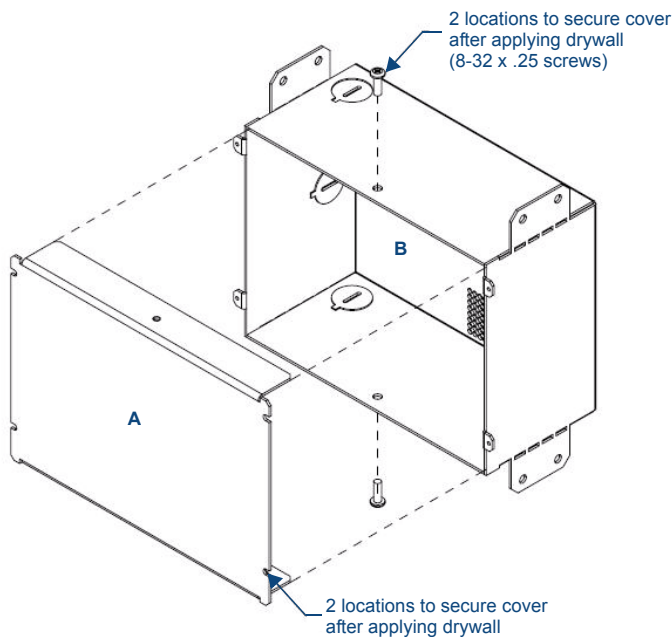


FIG. 1 CB-TP7 Rough-In Box with cover

2. Rest the right Stud Mounting tabs onto the stud (keeping the knockouts on the left). Be sure to leave enough of a gap between the stud and NXD Mounting tabs to accommodate the installation of the drywall or sheetrock after the rough-in

3. Fasten the CB-TP7 rough-in box to the stud through the holes on the right Stud Mounting tabs (FIG. 2), using either nails or screws.

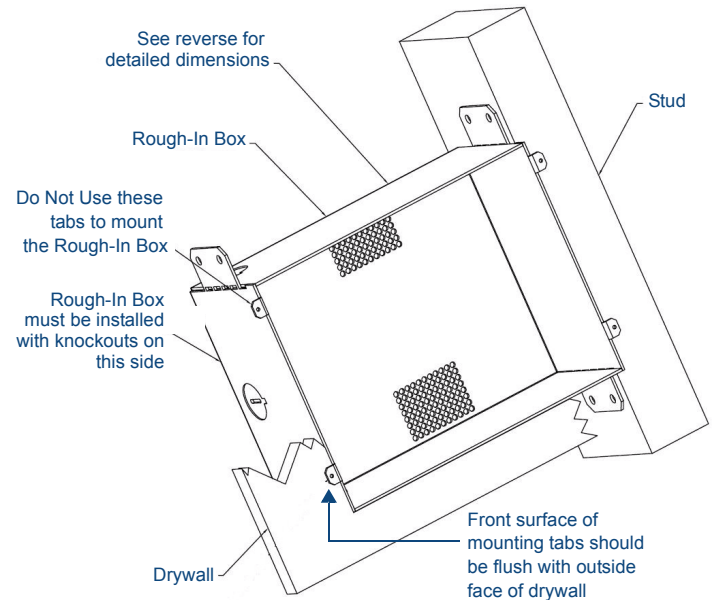
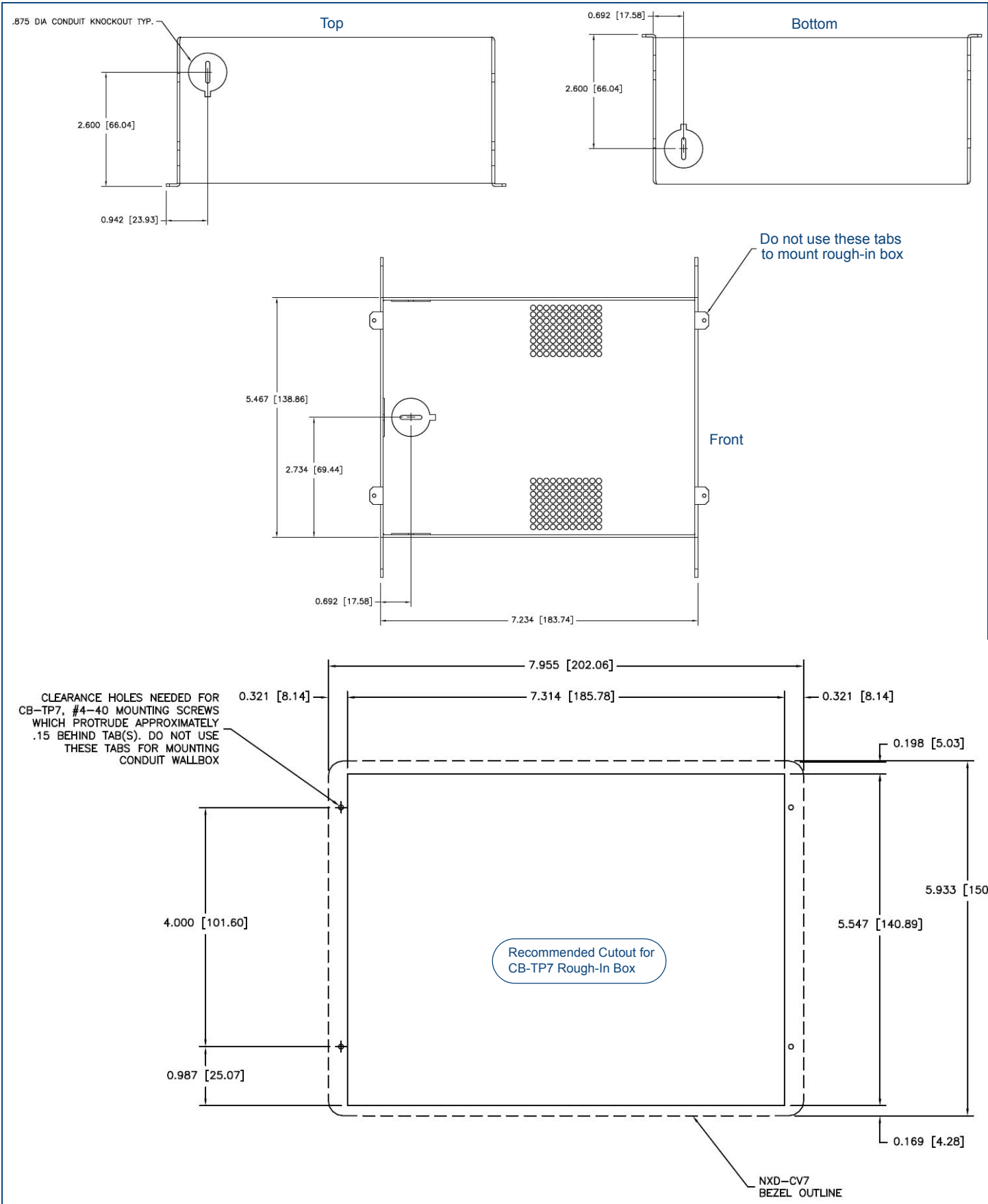


FIG. 2 CB-TP7 - Drywall Installation

4. Remove the wiring knockouts from the left side of the CB-TP7 to accommodate the cables being threaded through to the NXD touch panel.
- Note:** Remember that when mounting this rough-in box, the NXD mounting tabs must lie flush against the outside of the sheetrock.
5. Thread the incoming power, RJ-45 audio/video, Ethernet, and USB wiring through the knockouts (use of the left wiring knockouts are recommended with this installation). Leave enough slack in the wiring to accommodate any re-positioning of the panel.
 6. Install the drywall/sheetrock before inserting the main NXD unit into the CB-TP7.



For full warranty information, refer to the AMX Instruction Manual(s) associated with your Product(s).

