

## WARRANTY

MAXRAD, Inc. warrants that at the time of shipment the products furnished by MAXRAD, Inc. are free of defects in material and workmanship. MAXRAD, Inc. makes no other warranty, express or implied, with respect to its products. MAXRAD, Inc. will repair or replace, at its option, without charge, any MAXRAD product which fails within two years from date of purchase. This warranty does not extend to any of our products which have been subjected to misuse, neglect, accident, improper installation, improper application, nor shall it extend to units which have been repaired, disassembled or substantially altered outside the MAXRAD factory.

MAXRAD, Inc. reserves the right to inspect all defective products which must be returned to the MAXRAD, Inc. factory freight prepaid. No products will be accepted for replacement or repair without prior written approval. In all cases, final warranty disposition of defective products will be determined by MAXRAD, Inc. The warranty period shall not be extended beyond its original term with respect to any part or parts repaired or replaced by MAXRAD, Inc.

**MAXRAD, INC. WILL NOT BE RESPONSIBLE FOR ANY INDIRECT, SPECIAL, INCIDENTAL OR CONSEQUENTIAL DAMAGES DUE TO FAILURE OF A MAXRAD, INC. PRODUCT UNDER THIS WARRANTY WHETHER SUCH CLAIM IS BASED ON TORT (INCLUDING NEGLIGENCE), CONTRACT, ANY THEORY OF STRICT LIABILITY OR REGULATORY ACTION.**

Some states do not allow the exclusion or limitation of incidental or consequential damages, so the above exclusion or limitation may not apply to you.

This warranty gives you specific legal rights, and you may have other rights which vary from state to state.

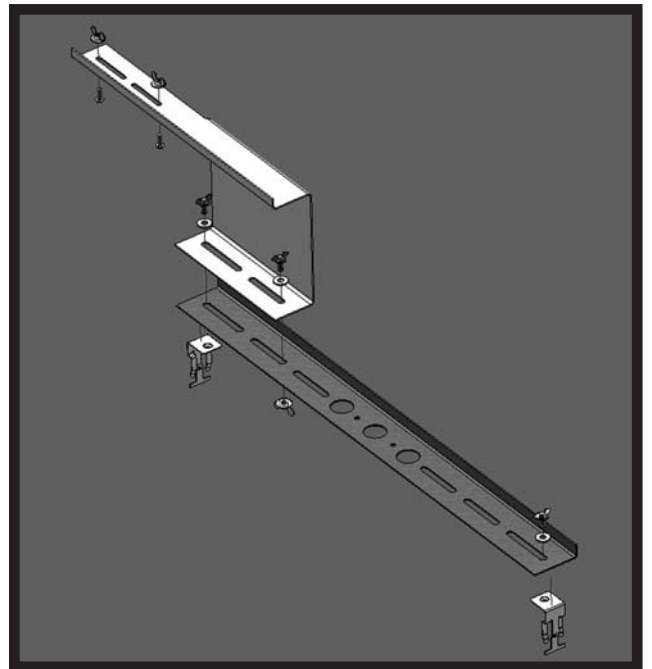
**THERE ARE NO WARRANTIES WHICH EXTEND BEYOND THE DESCRIPTION ON THE FACE HEREOF. THE ABOVE STATED WARRANTIES ARE GIVEN IN LIEU OF ALL OTHER WARRANTIES, EXPRESS OR IMPLIED, AND MAXRAD INC. HEREBY SPECIFICALLY DISCLAIMS ALL IMPLIED WARRANTIES INCLUDING THOSE OF MERCHANTABILITY, FITNESS FOR PARTICULAR PURPOSE AND ANY BASED UPON USAGE OF TRADE OR COURSE OF DEALING.**

## RETURNS

In the unlikely event a defect occurs in this product, please work through the dealer or distributor from which this product was purchased. Maxrad provides complete service and support to all of its dealers and distributors.

# MAXRAD

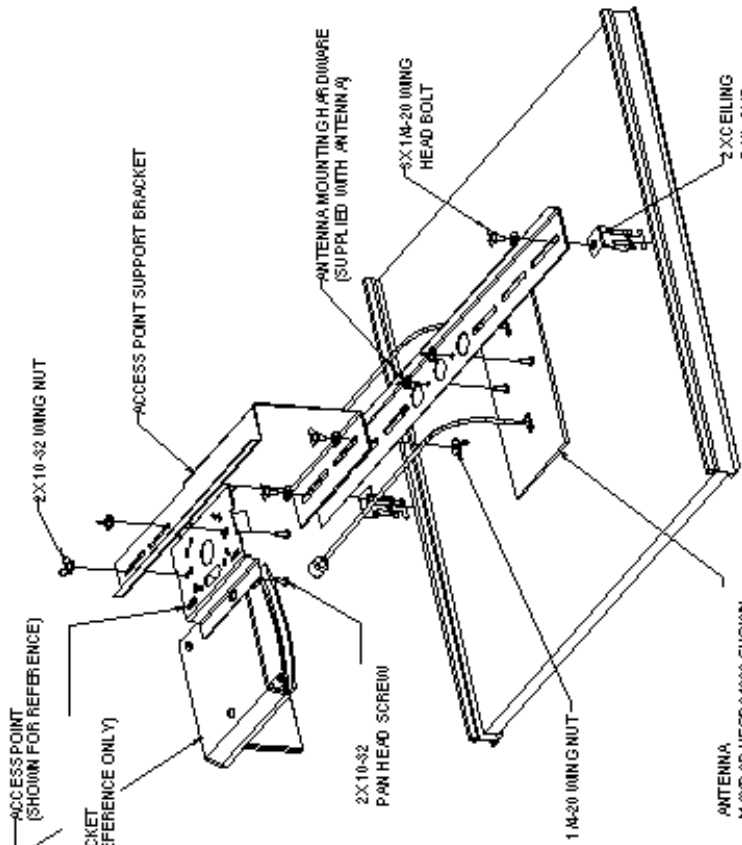
4350 Chandler Drive  
Hanover Park, IL 60133



## MACM AND MACMAP ABOVE CEILING MOUNTING BRACKET INSTALLATION INSTRUCTIONS

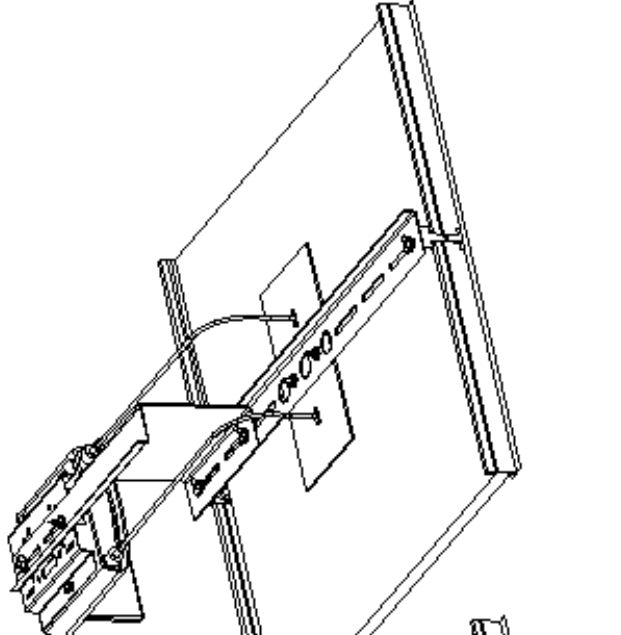
© 2003 MAXRAD, Inc.  
All Rights Reserved

Part #: MIS-MACM  
Printed in the USA



**RECOMMENDED ASSEMBLY INSTRUCTIONS FOR MAXRAD:**

- ASSEMBLE ANTENNA TO ANTENNA MOUNTING BRACKET USING HARDWARE SUPPLIED WITH ANTENNA.
- CLIP CEILING RAIL CLIPS OVER SUSPENDED CEILING T-BAR AT DESIRED LOCATION.
- SET MOUNTING BRACKET ON CEILING RAIL CLIPS AND SECURE IN PLACE ON NON ACCESS POINT END WITH WING BOLT.
- SET ACCESS POINT BRACKET ON ANTENNA MOUNTING BRACKET IN DESIRED LOCATION AND SECURE IN PLACE WITH HARDWARE SHOWN. NOTE: ACCESS POINT SUPPORT BRACKET CAN BE REPOSITIONED OVER ADJACENT CEILING TILE BY LOOSENING HARDWARE AND SLIDING ALONG LENGTH OF SLOTS.
- ASSEMBLE ACCESS POINT MOUNTING BRACKET TO ACCESS POINT SUPPORT BRACKET USING SCREWS AND WING NUTS.
- ASSEMBLE ACCESS POINT ONTO ACCESS POINT MOUNTING BRACKET.
- ASSEMBLE CONNECTORS FROM ANTENNA ACCESSIBLE TO ACCESS POINT.



**RECOMMENDED ASSEMBLY INSTRUCTIONS FOR MAXRAD:**

- ASSEMBLE ANTENNA TO ANTENNA MOUNTING BRACKET USING HARDWARE SUPPLIED WITH ANTENNA.
- CLIP CEILING RAIL CLIP OVER SUSPENDED CEILING T-BAR AT DESIRED LOCATION.
- SET MOUNTING BRACKET ON CEILING RAIL CLIPS AND SECURE IN PLACE WITH WING BOLTS.

