

Warranty

MAXRAD, Inc. warrants that at the time of shipment the products furnished by MAXRAD, Inc. are free of defects in material and workmanship. MAXRAD, Inc. makes no other warranty, express or implied, with respect to its products. MAXRAD, Inc. will repair or replace, at its option, without charge, any MAXRAD product which fails within two years from date of purchase. This warranty does not extend to any of our products which have been subjected to misuse, neglect, accident, improper installation, improper application, nor shall it extend to units which have been repaired, disassembled or substantially altered outside the MAXRAD factory.

MAXRAD, Inc. reserves the right to inspect all defective products which must be returned to the MAXRAD, Inc. factory freight prepaid. No products will be accepted for replacement or repair without prior written approval. In all cases, final warranty disposition of defective products will be determined by MAXRAD, Inc. The warranty period shall not be extended beyond its original term with respect to any part or parts repaired or replaced by MAXRAD, Inc.

MAXRAD, INC. WILL NOT BE RESPONSIBLE FOR ANY INDIRECT, SPECIAL, INCIDENTAL OR CONSEQUENTIAL DAMAGES DUE TO FAILURE OF A MAXRAD, INC. PRODUCT UNDER THIS WARRANTY WHETHER SUCH CLAIM IS BASED ON TORT (INCLUDING NEGLIGENCE), CONTRACT, ANY THEORY OF STRICT LIABILITY OR REGULATORY ACTION.

Some states do not allow the exclusion or limitation of incidental or consequential damages, so the above exclusion or limitation may not apply to you.

This warranty gives you specific legal rights, and you may have other rights which vary from state to state.

THERE ARE NO WARRANTIES WHICH EXTEND BEYOND THE DESCRIPTION ON THE FACE HEREOF. THE ABOVE STATED WARRANTIES ARE GIVEN IN LIEU OF ALL OTHER WARRANTIES, EXPRESS OR IMPLIED, AND MAXRAD INC. HEREBY SPECIFICALLY DISCLAIMS ALL IMPLIED WARRANTIES INCLUDING THOSE OF MERCHANTABILITY, FITNESS FOR PARTICULAR PURPOSE AND ANY BASED UPON USAGE OF TRADE OR COURSE OF DEALING.

RETURNS

In the unlikely event a defect occurs in this product, please work through the dealer or distributor from which this product was purchased. Maxrad provides complete service and support to all of its dealers and distributors.

MAXRAD™

**4350 Chandler Drive
Hanover Park, IL 60133**

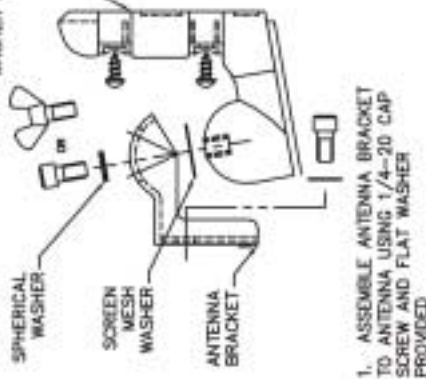


MPAB11 and MPAB12 ADJUSTABLE MOUNT INSTRUCTION SHEET

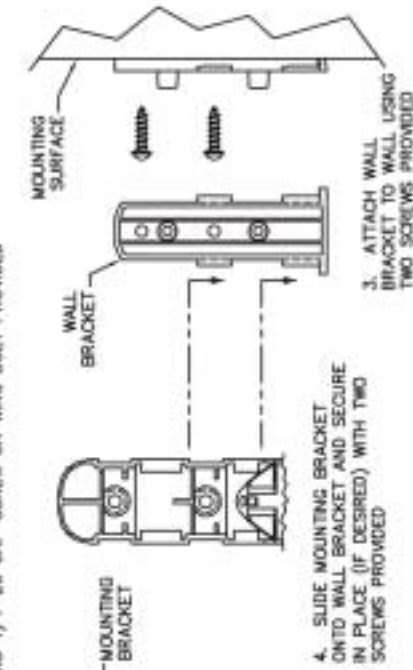
© 2002 MAXRAD, Inc.
All Rights Reserved

Part #: MIS-MPAB1112

2. ASSEMBLE ANTENNA BRACKET TO MOUNTING BRACKET WITH SCREEN MESH WASHER BETWEEN TWO PIECES USING SPHERICAL WASHER AND 1/4-20 CAP SCREW OR WING BOLT PROVIDED

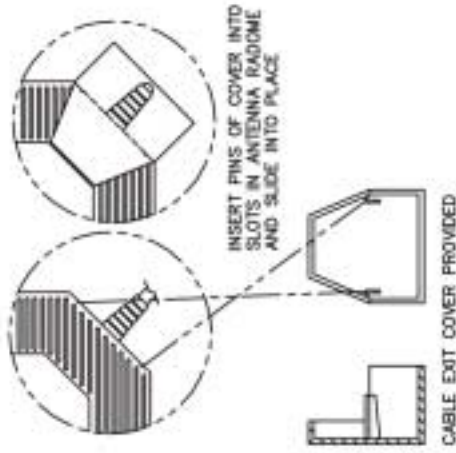


1. ASSEMBLE ANTENNA BRACKET TO ANTENNA USING 1/4-20 CAP SCREW AND FLAT WASHER PROVIDED

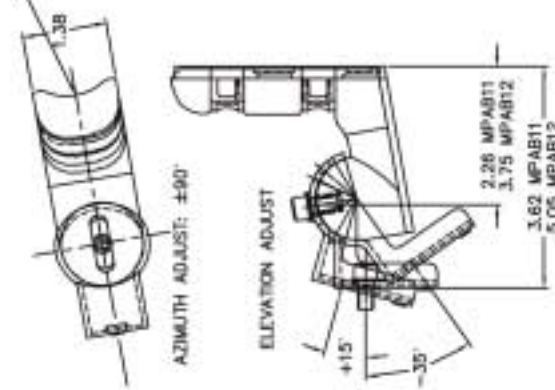


4. SLIDE MOUNTING BRACKET ONTO WALL BRACKET AND SECURE IN PLACE (IF DESIRED) WITH TWO SCREWS PROVIDED

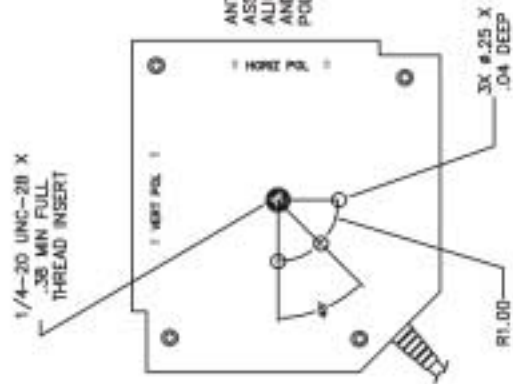
3. ATTACH WALL BRACKET TO WALL USING TWO SCREWS PROVIDED



CAN BE ASSEMBLED TO A MAIST WITHOUT WALL MOUNT BRACKET USING TWO 1/2 INCH WIDE HOSE CLAMPS (NOT SUPPLIED)



ANTENNA BRACKET SHALL BE ASSEMBLED TO ANTENNA AND ALIGNED WITH CENTER HOLE AND DETENT FOR DESIRED POLARIZATION ORIENTATION



MPAB11 AND MPAB12 ADJUSTABLE PANEL MOUNTING BRACKET THE MPAB11 AND MPAB12 MOUNTING BRACKETS CAN BE USED WITH THE LOWER GAIN MODELS OF THE MAJRAID INC. "X" SERIES DIRECTIONAL PANEL ANTENNAS (B481, 134B1) TO PROVIDE ADJUSTABLE UPTILT, DOWNTILT AND AZIMUTH MOUNTING TO A FLAT SURFACE (WALL) OR MAIST.