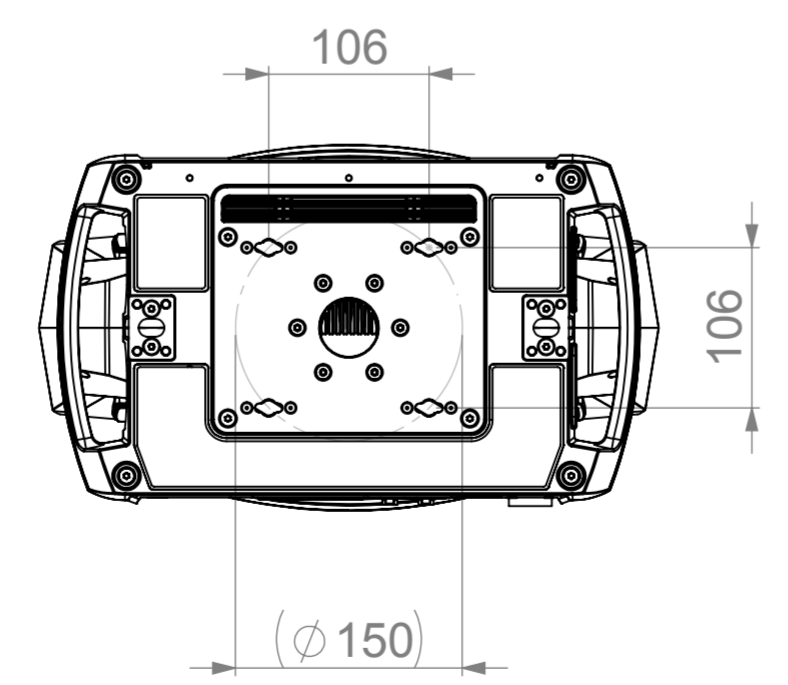
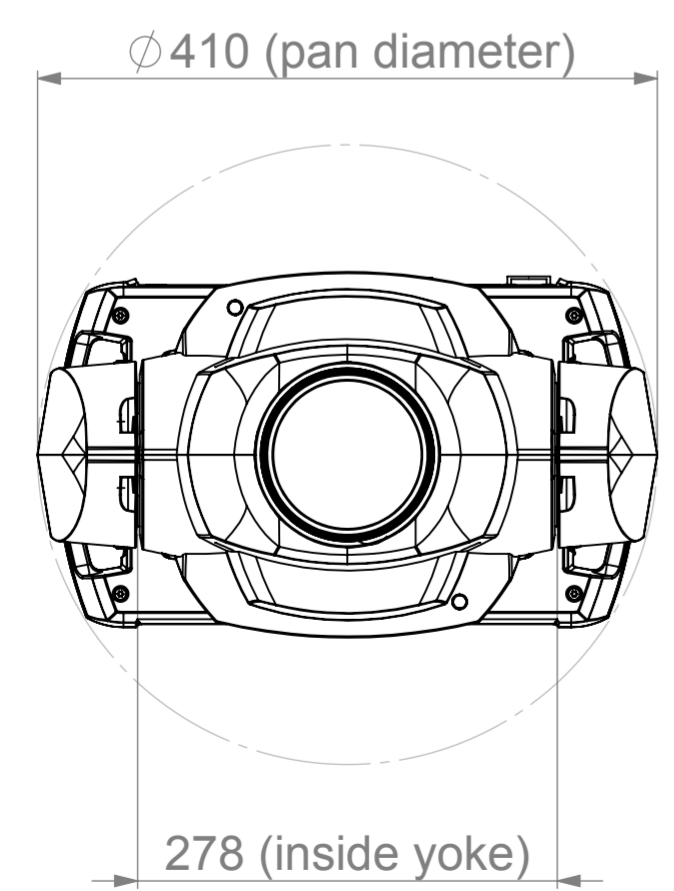
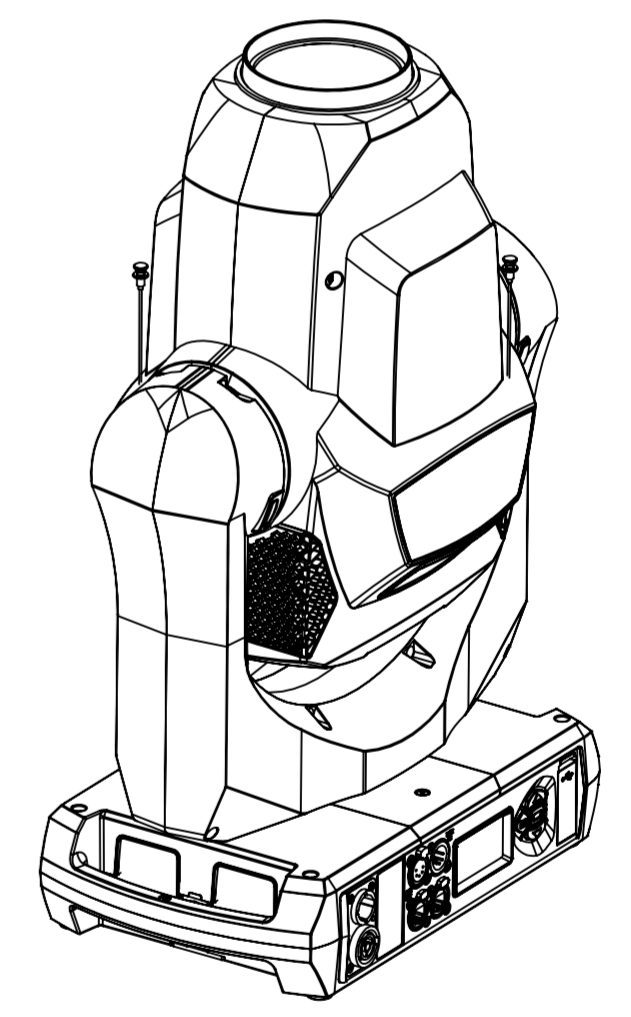
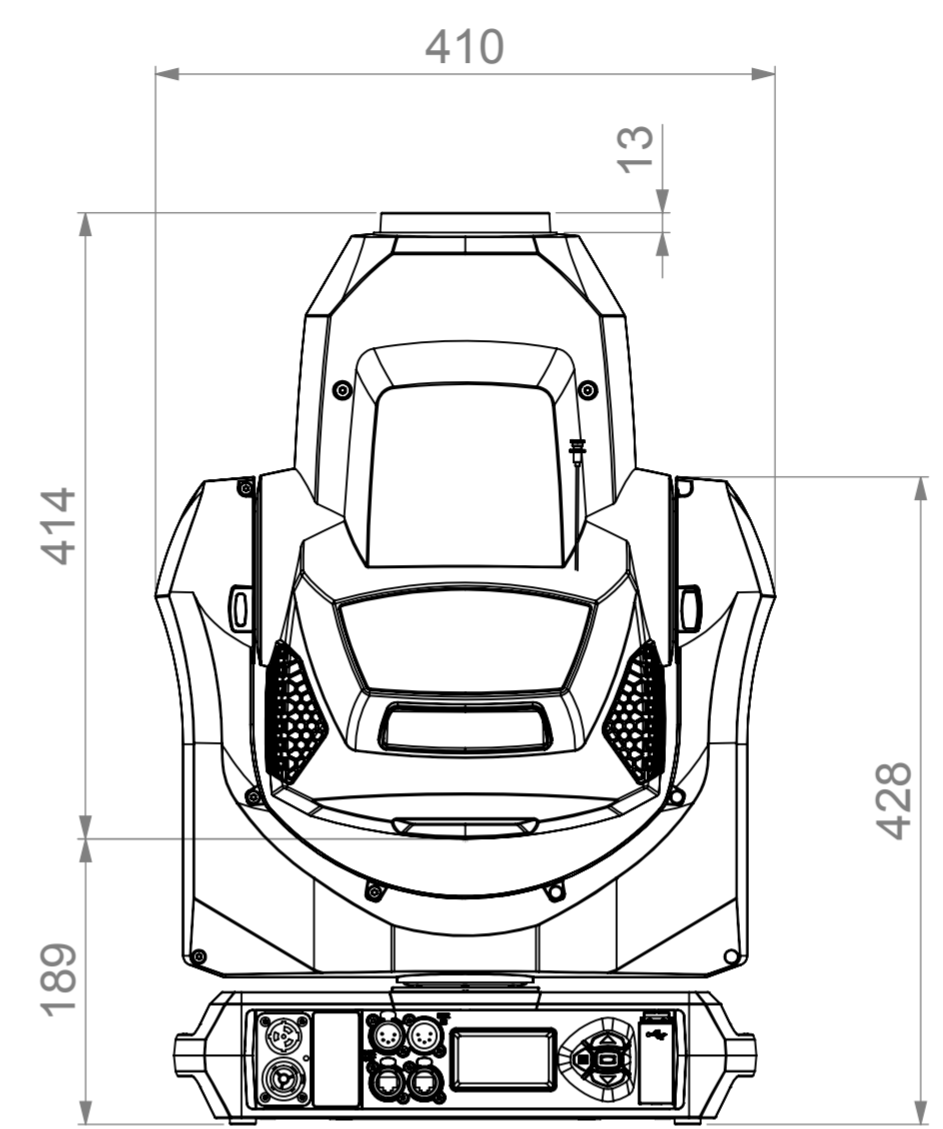
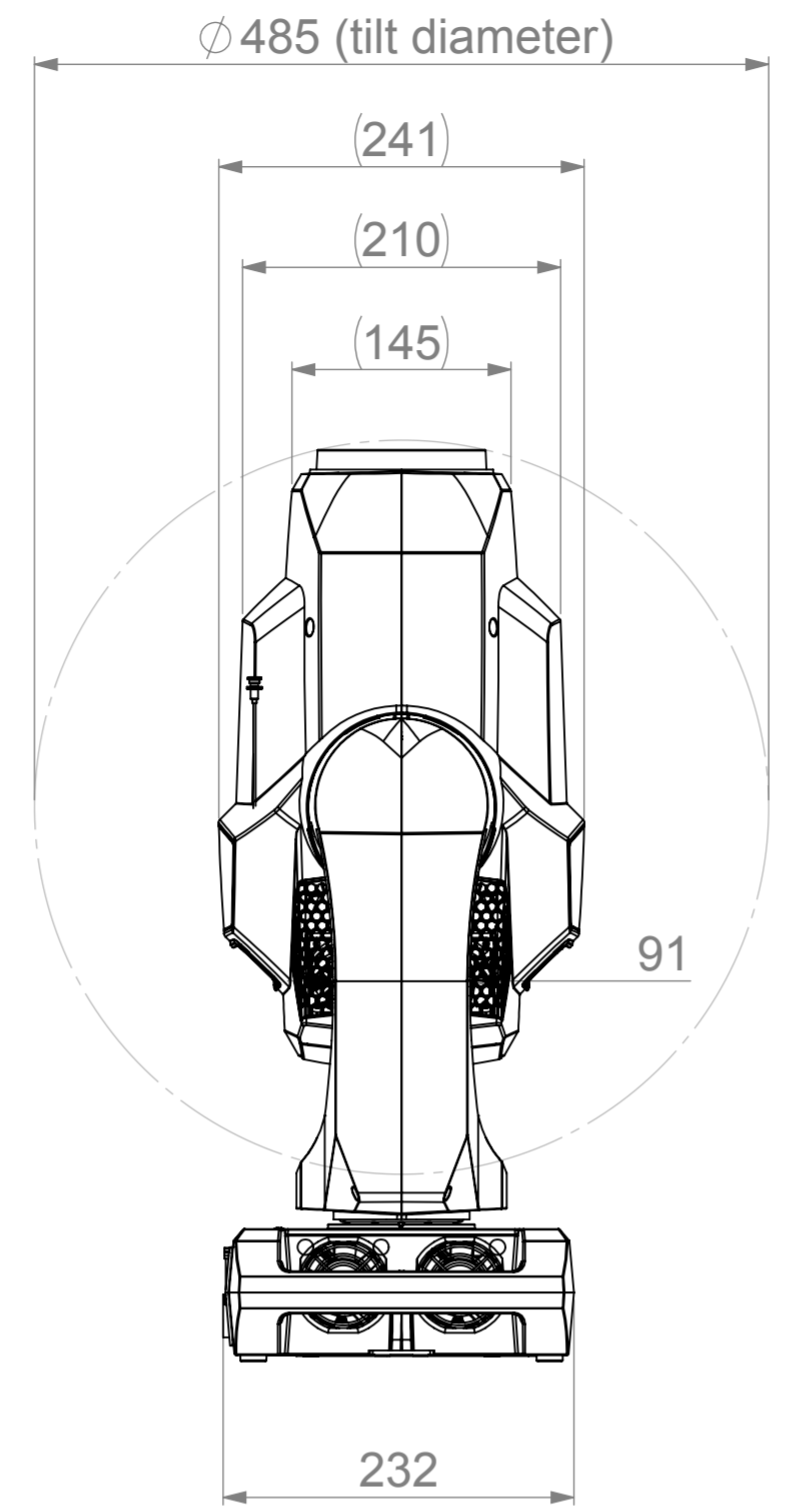
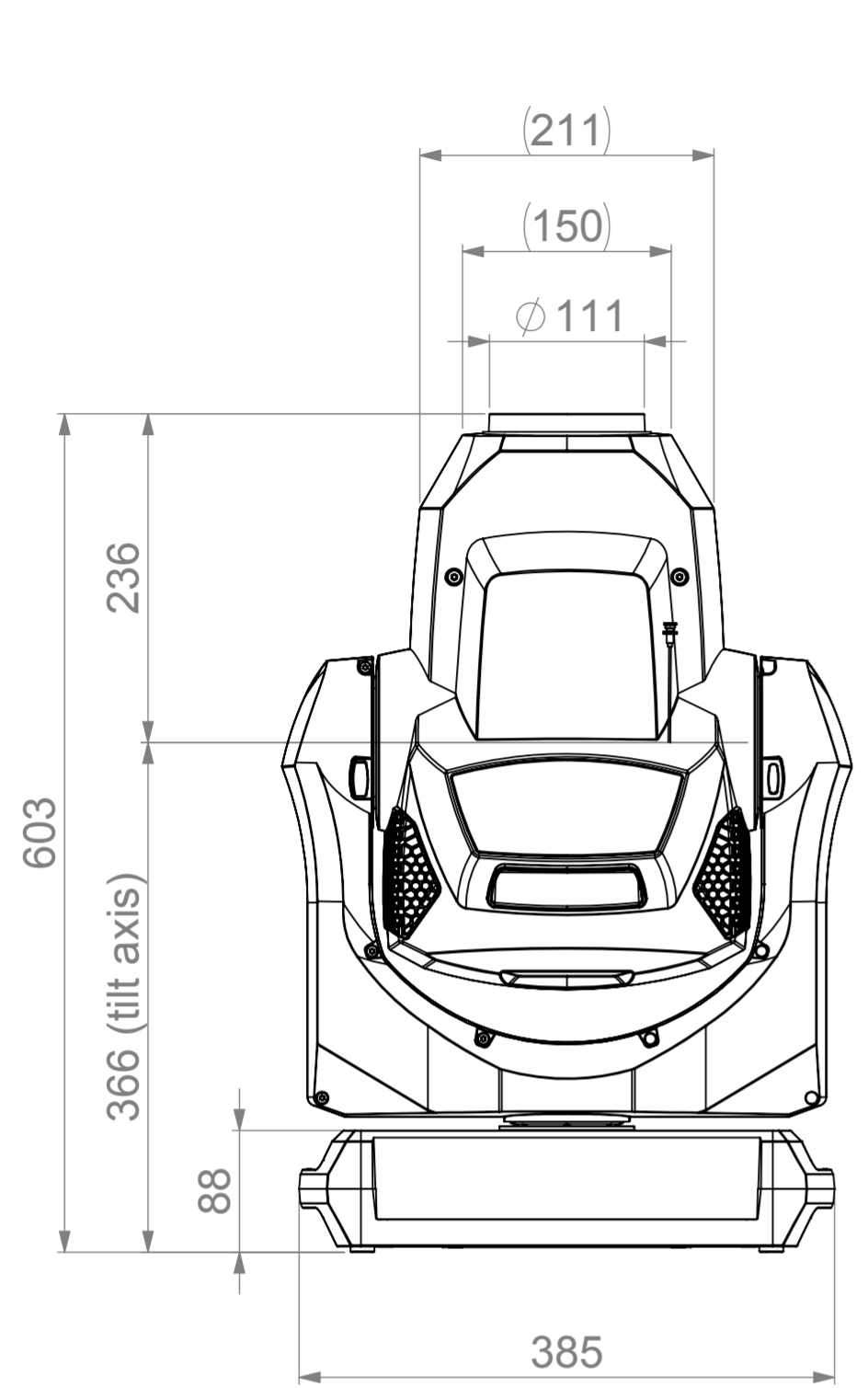


REVISION HISTORY

DATE	REV.	DESCRIPTION	BY
26.11.2018	B		ltousgaard



General Technical Specification apply to this item

© 2017 HARMAN Professional Denmark ApS PROPRIETARY AND CONFIDENTIAL PROPERTY OF HARMAN. DO NOT DISCLOSE, REPRODUCE, OR PUBLISH WITHOUT WRITTEN HARMAN APPROVAL.	Material	FIRST ANGLE PROJECTION		HARMAN	HARMAN Professional Denmark ApS Olof Palmes Allé 18 DK 8200 Aarhus N
	General linear tolerance				
ROHS RESTRICTION OF HAZARDOUS SUBSTANCES ALL MATERIALS USED IN THIS PART MUST BE ROHS COMPLIANT.	General angular tolerance	Item to be		TITLE	MAC Allure Profile
	Color	Item to be		NO.	5095502-00-B
SUPPLIER SHALL PROVIDE A CERTIFICATE OF ROHS COMPLIANCE WITH THE FIRST ARTICLE.	DIMENSIONS SHOWN ARE FOR REFERENCE AND INSPECTION ONLY. REFER TO CAD MODEL PROVIDED WITH THIS DRAWING FOR OVERALL DEFINITION OF PART GEOMETRY.	Item to be		REV	See table
				SIZE	A2
				SCALE	1:5
				DO NOT SCALE	DRAWING
				SHEET	1
				OF	1