



# VC-Strip™ Family

## User Manual

---

© 2012-2018 Harman Professional Denmark ApS. All rights reserved. Features, specifications and appearance are subject to change without notice. Harman Professional Denmark ApS and all affiliated companies disclaim liability for any injury, damage, direct or indirect loss, consequential or economic loss or any other loss occasioned by the use of, inability to use or reliance on the information contained in this document. Martin is a registered trademark of Harman Professional Denmark ApS registered in the United States and/or other countries.

Harman Professional Denmark ApS, Olof Palmes Alle 44, 8200 Aarhus N, Denmark  
Harman Professional Solutions U.S., 8500 Balboa Blvd., Northridge, CA 91329, USA

[www.martin.com](http://www.martin.com)

P/N 35000267, Rev. E

---

# Contents

Safety information .....	4
Introduction .....	7
Unpacking .....	7
Precautions to avoid damage .....	7
VC-Strip overview .....	9
Physical installation .....	10
Shortening modules .....	10
System installation .....	12
Installing a P3 system .....	12
Installing a DMX-controlled system .....	15
Connecting additional devices to a VC-Strip chain .....	19
System setup .....	21
Setting up for P3 display .....	21
Setting up for DMX control .....	21
Setting up shortened modules .....	22
Using the VC-Strip .....	23
P3 display .....	23
DMX control .....	23
Local control button .....	23
Service and maintenance .....	25
Cleaning .....	25
Installing new software .....	25
Troubleshooting .....	26
Specifications .....	27

# Safety information



## WARNING!

**Read the safety precautions in this section before installing, powering, operating or servicing this product.**

The following symbols are used to identify important safety information on the product and/or in this document:



**Warning!**  
Safety hazard.  
Risk of severe injury or death.



**Warning!**  
Hazardous voltage. Risk of severe or lethal electric shock.



**Warning!**  
Fire hazard.



**Warning!**  
Refer to manual before installing, operating or servicing.



### **Warning!**

- **Read this user manual before installing and operating the Martin® VC-Strip™ and keep this manual for future reference.**
- **Follow the safety precautions given in this user manual and in the manuals of all the devices you connect to it. Observe all warnings given in manuals and printed on devices. Make sure that everyone who is involved in working on or using the VC-Strip has read and understood these safety precautions and warnings.**
- **Install, connect, operate and service devices only as described in this manual and connected devices' manuals and only in accordance with local laws and regulations. All Martin manuals are supplied with devices and are also available for download from [www.martin.com](http://www.martin.com).**
- **The VC-Strip is not for household use. It presents risks of severe injury or death due to fire and burn hazards, electric shock and falls. It must be installed by qualified technicians only.**
- **The VC-Strip does not have user-serviceable parts. Refer any operation not described in this manual to Martin or its authorized service agents.**
- **The VC-Strip is designed to integrate with other Martin devices in a video display installation.**



VC-Strip modules are considered as components that will be installed into final equipment. It must be reconfirmed that the final equipment still meets applicable EMC (electromagnetic compatibility) standards.

### **Technical Support**

If you have questions about how to install or operate the VC-Strip system safely, please contact Harman Professional Technical support:

- For technical support in North America, please contact: [HProTechSupportUSA@harman.com](mailto:HProTechSupportUSA@harman.com)  
Phone: (844) 776-4899
- For technical support outside North America, please contact your national distributor.



### **PROTECTION FROM ELECTRIC SHOCK**

- Read and respect the directions given in the user manuals of all the devices that you intend to connect to the VC-Strip, particularly the instructions, warnings and limits that apply to:
  - system layout,
  - connections to other devices,
  - specified cables,

- maximum cable lengths, and
- maximum number of devices that can be connected.
- Use only the cables specified by Martin for the devices concerned to interconnect them. If the specified cables are not long enough for an intended cable run, consult Martin for assistance in finding or creating a safe alternative cable
- Do not allow the total length of the cables used in a linked chain of VC-Strip modules to exceed 50 m (164 ft.) from the 48 VDC power source (Martin P3 PowerPort 1500, Martin IP66 PSU 240W or other external PSU) to the last VC-Strip at the end of the chain.
- Do not exceed the maximum safe limits given in the tables below. The figures allow for cable in a chain with a total hybrid cable length of 50 m (164 ft.).
  - If you supply VC-Strip modules with DC power from an output on a **Martin P3 PowerPort 1500**, do not connect more than one linked chain of VC-Strips to one DC power output, and respect the limits given in Table 1 below:

Type of VC-Strip module in chain	Maximum permitted number of modules in one chain
VC-Strip 32x1 15	32
VC-Strip 16x1 15	63
VC-Strip 16x1 25	45
VC-Strip 8x1 25	63
VC-Strip 16x1 30	45
VC-Strip 8x1 30	63
VC-Strip 8x1 60	63
VC-Strip 4x1 60	63

**Table 1: Maximum number of VC-Strip modules per P3 PowerPort 1500 output**

- If you supply VC-Strip modules with DC power from a **Martin IP66 PSU 240W**, do not connect more than one linked chain of VC-Strips to the DC power output, and respect the limits given in Table 2 below.

Type of VC-Strip module in chain	Maximum permitted number of modules in one chain
VC-Strip 32x1 15	30
VC-Strip 16x1 15	60
VC-Strip 16x1 25	30
VC-Strip 8x1 25	60
VC-Strip 16x1 30	30
VC-Strip 8x1 30	60
VC-Strip 8x1 60	60
VC-Strip 4x1 60	60

**Table 2: Maximum number of VC-Strip modules per Martin IP66 PSU 240W**

- If you supply a chain of VC-Strip modules with DC power from a **generic 48 VDC external PSU** (power supply unit), do not exceed the maximum permitted number of modules that you can connect in one chain as given in Table 3 below. At the same time, do not create a chain that will exceed the maximum power rating of the PSU output used to supply that chain with power (to find the power consumption of the chain, multiply the number of modules in the chain with the wattage of each module as given in Table 3).

Each time you reach (a) the maximum permitted number of modules in one chain, or (b) the PSU output's maximum power rating – *whichever you reach first* – you must create a new chain of modules that is connected to a new 48 VDC power output.

Type of VC-Strip module in chain	Maximum permitted number of modules in one chain	Wattage per VC-Strip module
VC-Strip 32x1 15	45	8 W
VC-Strip 16x1 15	63	4 W
VC-Strip 16x1 25	45	8 W
VC-Strip 8x1 25	63	4 W
VC-Strip 16x1 30	45	8 W
VC-Strip 8x1 30	63	4 W
VC-Strip 8x1 60	63	4 W
VC-Strip 4x1 60	63	2 W

**Table 3: Maximum number of VC-Strip modules per 48 VDC external PSU**

- If you supply a chain of VC-Strip modules with DC power from a **generic 48 VDC external PSU** and the DC output used does not have constant overcurrent protection that limits current to 8 A, install an inline fuseholder with a 7.5 A or 8 A fuse on the circuit that you connect to that DC output.
- Provide a means of locking out AC mains power that allows power to the installation to be shut down and made impossible to reapply, even accidentally, during work on the installation.
- Shut down power to the installation during service and when it is not in use.
- Before applying power to the installation, check that all power distribution equipment and cables are in perfect condition and rated for the current requirements of all connected devices.
- Isolate the installation from power immediately if any product, power cable or power plug is in any way damaged, defective or wet, or if it shows signs of overheating.
- Do not expose the VC-Strip to rain or moisture.



### PROTECTION FROM BURNS AND FIRE

- The VC-Strip is cooled by convection. Provide free airflow and a minimum clearance of 10 mm (0.4 in.) around modules. Monitor the VC-Strip's temperature by calling up temperature readouts on the P3 System Controller. If any of the product temperature readouts exceed the levels given in Table 1 on page 5, provide fan assistance to give active cooling to the installation.
- Do not operate the VC-Strip if the ambient temperature (Ta) exceeds 45° C (113° F).
- Do not modify the VC-Strip in any way not described in this manual or install other than genuine Martin parts. Use only accessories approved by Martin.



### PROTECTION FROM INJURY

- When installing the VC-Strip above ground level, ensure that the installation hardware and supporting structure can hold at least 10 times the weight of all the devices they support.
- In an overhead installation or where the VC-Strip may cause injury if it falls:
  - block access below the work area and work from a stable platform whenever installing, servicing or moving the VC-Strip, and
  - as soon as work is completed, check that all hardware and components are securely in place and fastened to supporting structures.

# Introduction

Thank you for selecting a product from the Martin® VC-Strip™ family. These compact LED-based display modules are designed to integrate into a Martin P3™ video system to display video from a variety of sources, and they can also be controlled using DMX. Use of an RDM-compliant DMX controller allows two-way communication and remote management of VC-Strip modules from the controller.

The VC-Strip combines flexibility and simplicity with high-quality video display capabilities. Used with or without a front diffuser, multiple VC-Strips can be combined in ways that give exceptional creative flexibility. A hybrid power and data cabling system allows VC-Strips to be daisy-chained for easy setup and minimal cabling.

The VC-Strip is an array of LEDs arranged in a line on a rigid module. It offers the following features:

- RGB color
- Various pixel pitch (center-to-center LED distance) options: 15, 25, 30 or 60 mm
- Various pixel options: 4, 8, 16 or 32 pixels per module
- Longer modules can be cut to custom lengths on site by user
- Individually controllable pixels
- High-quality 16-bit per color image processing technology
- Pixel-level brightness and color calibration for optimal image quality
- P3 and DMX control with automatic protocol detection
- Intuitive pixel mapping and addressing using a Martin P3 system controller
- Single hybrid cable for power and data input and throughput
- External power and data processor (Martin P3 PowerPort 1500™) and simple cabling system

For dimensions drawings of all the products in the VC-Strip family, please see the VC-Strip Product Support pages on the Martin website at [www.martin.com](http://www.martin.com)

The naming convention for the VC family is as follows:

Product name	Pixel layout	Pixel pitch
VC-Strip	16x1	15
VC-Strip	8x1	25

Martin user documentation is supplied with products. Please check that you have the latest version available by checking the product's support page on the Martin website at <http://www.martin.com>. Besides the latest user documentation, the support pages also provide the latest specifications, firmware updates and support information for Martin products.

Martin welcomes input from users. Comments or suggestions regarding this manual can be e-mailed to [service@martin.dk](mailto:service@martin.dk) or posted to: Martin Professional Denmark ApS, Olof Palmes Allé 44, DK-8200 Aarhus N, Denmark.

## Unpacking

The VC-Strip is supplied in anti-static packaging. Leave products in their packaging until you are ready to install them.

## Precautions to avoid damage

***Important! To get the best out of the VC-Strip and avoid causing damage that is not covered by the product warranty, read the following information carefully. Make sure that everyone who is involved in working on or using the VC-Strip has read and understood this information.***

- The VC-Strip is not designed to allow hot-plugging. Shut down power and data before connecting or disconnecting modules, or you are very likely to cause damage that is not covered by the product warranty.
- PCB tracks can be damaged if metal screws are tightened directly onto VC-Strip modules. Protect PCBs from damage by adding non-conductive protective material such as plastic PCB washers or spacers

- under screw heads to prevent any abrasion of PCBs. Mechanical damage to PCB tracks caused by fastening hardware is not covered by the product warranty.
- Excessive dirt buildup causes overheating and a risk of short-circuits and may damage the product. Damage caused by inadequate cleaning is not covered by the product warranty.

### Operating temperature precautions

- Exposing the VC-Strip to direct sunlight or operating it in an ambient temperature that exceeds the specified maximum may reduce the lifetime of the product.
- Monitor the VC-Strip's temperature by calling up temperature readouts on the P3 System Controller. If any of the product temperature readouts exceed the temperatures given in Table 4, provide fan assistance to give active cooling to the installation.

VC-Strip module	Fan assistance required from:
VC-Strip 15	68° C
VC-Strip 25	60° C
VC-Strip 30	59° C
VC-Strip 60	66° C

**Table 4: Maximum temperature levels before fan assistance is required**

- Note that, if the temperature of a VC-Strip module rises to 10° C above the level given in Table 4, a thermal safety cutout shuts down the module. The module will not function normally again until the temperature has fallen to a safe level.

### Electrostatic discharge precautions

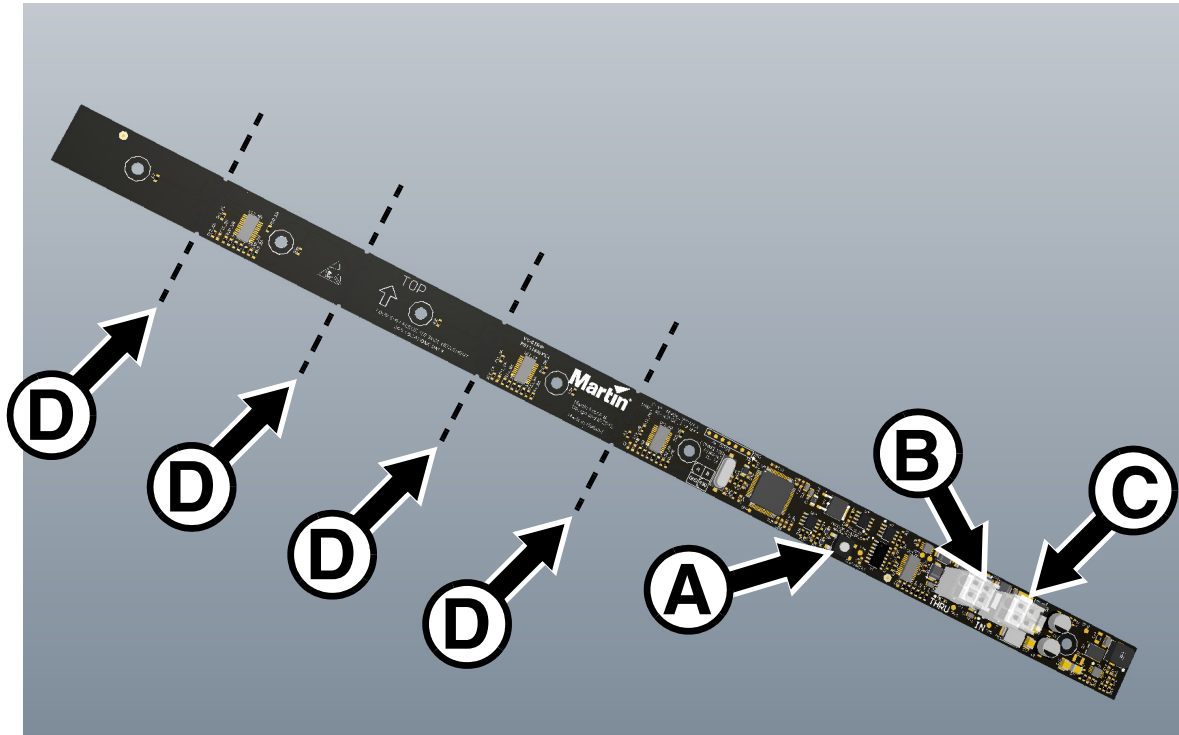


VC-Strip components are sensitive to ESD (electrostatic discharge) and can be damaged if you do not take the following precautions:

- Attach an ESD wrist strap to your wrist and connect its ground (earth) lead to a known ground (earth) before handling the VC-Strip.
- Hold the VC-Strip by its edges only. Do not touch any part of a VC-Strip module apart from the connectors and the control button. Do not touch connector pins.
- Place the VC-Strip on grounded (earthed) surfaces only.
- Store the VC-Strip only in its ESD shielding bag and do not remove it until you are ready to install it. Place it in an ESD shielding bag immediately if you remove it from an installation.
- Protect the VC-Strip from ESD in the installation location. Differences in electrical potential between the VC-Strip and any object it comes into contact with may cause damage that is not covered by the product warranty.



# VC-Strip overview



*VC-Strip 16x1 25 illustrated*

- A - Control button**
- B - 48 VDC power + data throughput (THRU)**
- C - 48 VDC power + data input (IN)**
- D - Module cutting points (long variants only)**

**Figure 1: Overview**

Figure 1 shows the VC-Strip 16x1 25. Other models are similar. Note that some products have right-angled connectors B and C.

# Physical installation



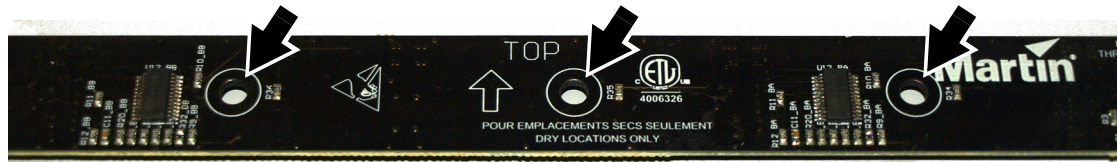
**Warning! Read “Safety information” on page 4 and “Precautions to avoid damage” on page 7 on before installing the VC-Strip.**

The VC-Strip can be installed in any orientation. The most evenly matched optical characteristics when viewing an installation from the side at an angle are obtained when all VC-Strip modules are oriented horizontally, but unevenness will hardly be noticeable in vertical strips, and then only when viewed from the side.

The backs of modules are marked with arrows and the word **TOP**. Install all modules with the arrows facing the same way. When installing horizontally, install all modules with the arrows pointing upwards and the **TOP** marking at the upper edge of the modules.

Allow free airflow around the product and at least 10 mm (0.4 in.) of clearance around the LEDs on the front surface. Check that the product will not be exposed to direct sunlight or excessive heat.

To maintain pixel spacing across multiple VC-Strip modules, install them with a 1 mm (0.04 in.) gap between ends of modules.



**Figure 2: Mounting holes**

See Figure 2. The VC-Strip can be fastened to a surface or structure by installing pillar bolts using any two of the mounting holes (arrowed). Add non-conductive washers on both sides of the VC-Strip.

## Shortening modules



**Warning! Even if you shorten one or more of the VC-Strip modules in an interconnected chain, do not exceed the maximum permitted number of full-length modules per chain given in “Protection from electric shock” starting on page 4.**

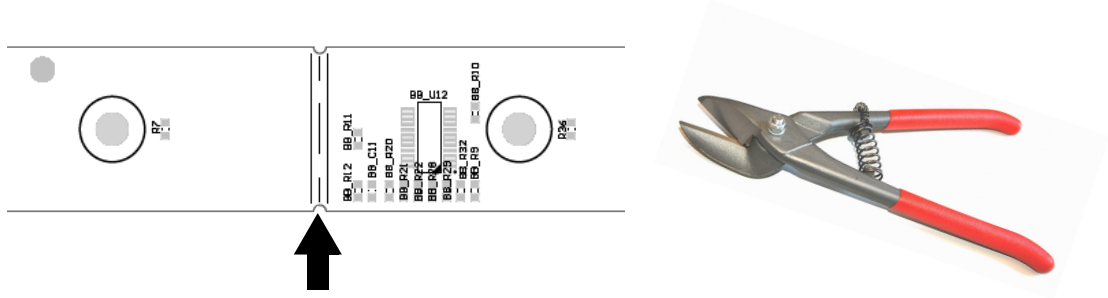
It is possible to shorten a VC-Strip long variant module by cutting it at one of the possible cutting points (see **D** in Figure 1 on page 9). Modules shortened in this way will communicate their length when they identify themselves to a P3 or RDM controller.

Short variant VC-Strip modules have no cutting points like the ones at **D** in Figure 1 on page 9 and cannot be shortened further.

To cut a VC-Strip module:

1. Ensure that the VC-Strip is isolated from power and data.
2. Read “Electrostatic discharge precautions” on page 8. Do not damage components or printed circuits.

3. See Figure 3. Using either a pair of tin snips or a small rotary cutting tool (Dremel or similar) with a fine-tooth cutting wheel, cut the VC-Strip at a cutting point marked with a dotted line.



**Figure 3: Cutting a VC-Strip**

4. The end of the VC-Strip without connectors that you have cut off cannot be re-used. Send it for electronic waste recycling.
5. Clean up the cut edge with fine-grit sandpaper.

# System installation



**Warning!** Read “Safety information” on page 4 and “Precautions to avoid damage” on page 7 carefully before installing a VC-Strip system.

**Warning!** Connect the VC-Strip only to the devices and using only the Martin cables specified in this manual.

**Warning!** Do not exceed the maximum numbers of devices that can be connected in chains and maximum cable lengths specified in “Protection from electric shock” starting on page 4 and in the manuals of the other devices in the system.

**Important!** The VC-Strip is not designed to allow hot-plugging. Shut down power and data before connecting or disconnecting modules.

The VC-Strip is designed to display either Martin P3 video or DMX-controlled lighting effects. It automatically recognizes and responds to either a Martin P3 or a DMX data signal. The next sections explain how to create a VC-Strip installation to display P3 video data or DMX-controlled lighting effects.

## Installing a P3 system

See Figure 5 for an overview of the layout of a Martin P3 video display system that uses a P3 PowerPort 1500.

The P3 link requires Ethernet Cat 5e or better network cable. The cable run between any two devices on the link can be up to 100 m (328 ft.) in length. If necessary, a cable run can be extended beyond 100 m by inserting an unmanaged Ethernet switch or using a fiber-optic system (see the P3 system controller user manual for details).

To install a system that displays P3 video on VC-Strips, see the overview in Figure 5 and follow these directions:

1. Make sure that no devices in the installation can be connected to AC mains power until all installation work is complete.
2. Read “Safety information” on page 4 and “Precautions to avoid damage” on page 7.
3. Connect VC-Strip modules together in chains using Martin hybrid PCB-to-PCB cables (see “VC-Strip to VC-Strip link cables” on page 31). Connect each cable from the THRU connector of one VC-Strip to the IN connector of the next VC-Strip to create the chain.

**Warning!** Do not exceed the maximum permitted number of modules per chain given in Table 1 on page 5.

4. Connect each chain of VC-Strips to one of the four 4-pin female XLR hybrid (48 VDC power + P3 data) outputs on the Martin P3 PowerPort 1500 using a Martin hybrid 4-pin male XLR to PCB adapter cable, P/N 91616035 (see Figure 4).

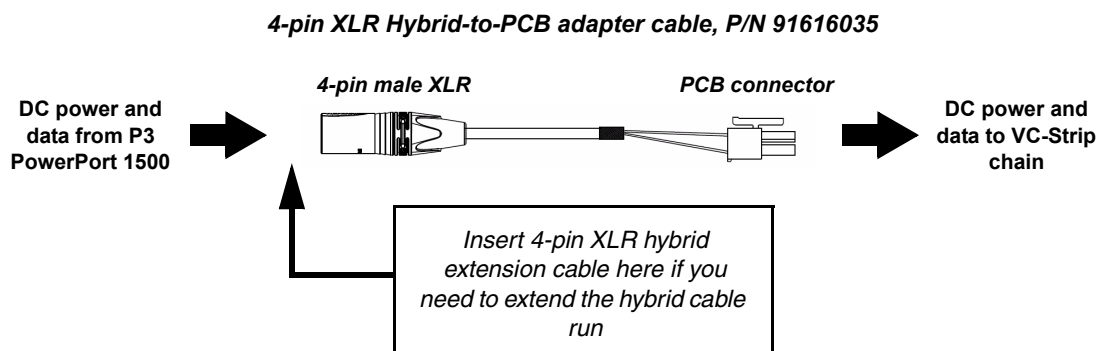


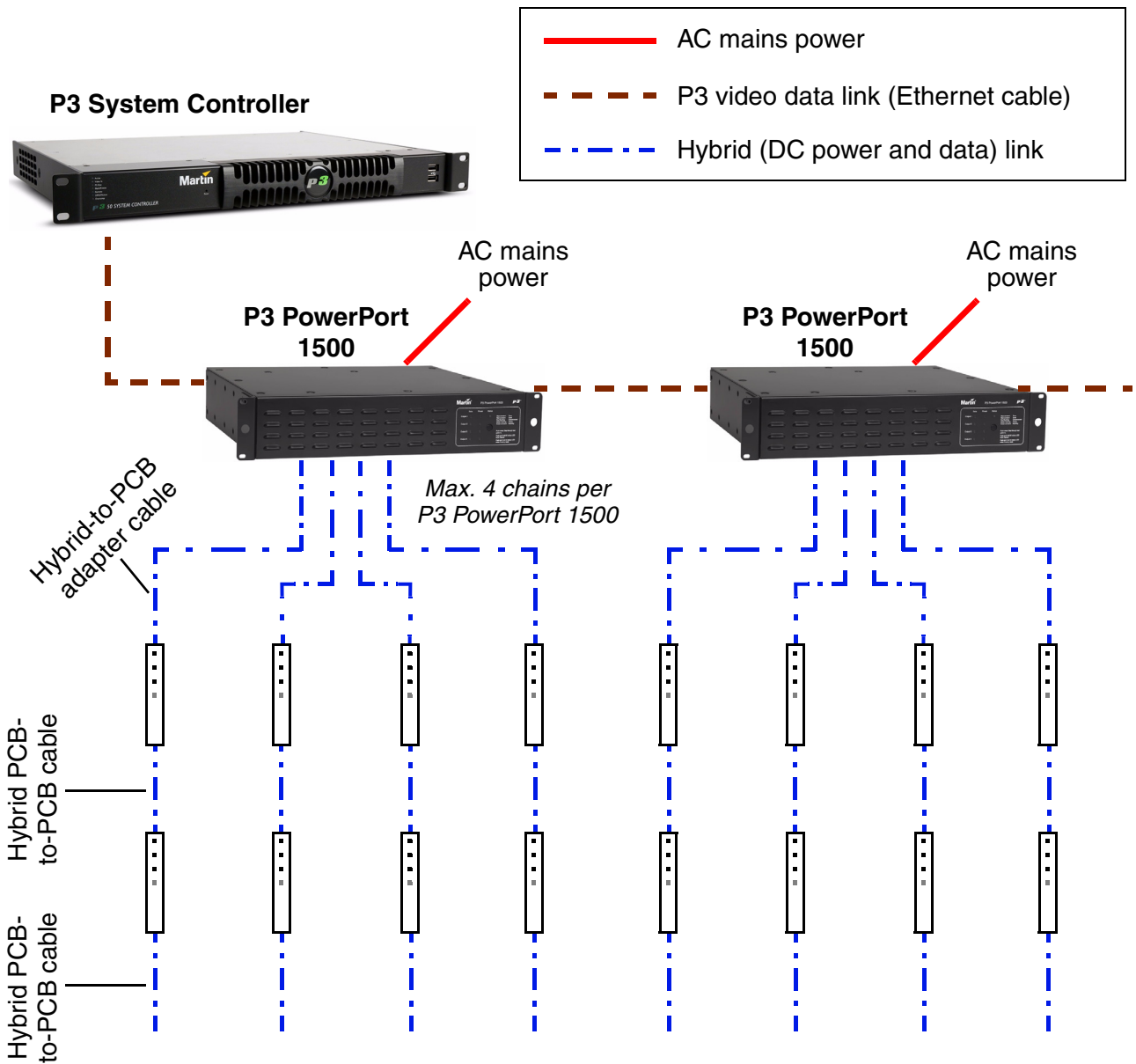
Figure 4: Power and P3 video data input from P3 PowerPort 1500

If necessary, extend the cable by connecting a Martin 4-pin XLR hybrid extension cable to the Hybrid-to-PCB adapter cable so that you can run the hybrid link to the P3 PowerPort 1500. Suitable extension cables are available from Martin in various lengths. See "Extension cables" on page 31.

5. Create a P3 video data link from a Martin P3 system controller such as the P3-050™, P3-150™ or P3 PC™ to the P3 PowerPort 1500 (see the products' user manuals for details).
6. If required, continue the P3 video data link in a daisy-chain by connecting the P3 data throughput of one P3 PowerPort 1500 to the P3 data input of the next, as described in the P3 PowerPort 1500's user manual. You can connect up to fifty P3 PowerPort 1500s in a P3 data daisy-chain like this. If you need to connect more than fifty, use an unmanaged Ethernet switch to split the P3 data link into branches, each containing less than fifty P3 PowerPort 1500s.
7. Connect the P3 PowerPort 1500 to AC mains power at 100 - 240 V, 50/60 Hz as described in its user manual.
8. Connect the P3 system controller to AC mains power and power the controller on.

You can now configure the system at the P3 controller. See "System setup" on page 21.

*Note: Use of the Martin P3 PowerPort 1500 to send DC power and video data to VC-Strips via Martin hybrid cable is the easiest and most economical solution when preparing a VC-Strip installation for P3 video display. It is possible to use an IP65- or IP66-rated Martin P3 PowerPort 1000 IP device instead of the P3 PowerPort 1500, but this option will require custom-made hybrid cable and will probably be less economical. If you wish to use a P3 PowerPort 1000 IP in a VC-Strip installation, please contact your Martin supplier for advice.*



See Table 1 on page 5 for maximum permitted number of modules in chain

Figure 5: P3 system layout

## Installing a DMX-controlled system

In a DMX-controlled system, an RDM-compliant DMX lighting controller sends a DMX control data signal over a DMX link to the installation, and then over the hybrid link to the VC-Strips.

The DMX link requires DMX cable. It can be maximum 300 m (1000 ft.) in length and must run in one single daisy-chain, but it can be extended or split into branches using an RDM-compliant amplifier/splitter such as the Martin RDM 5.5 Splitter (P/N 90758150). Alternatively, you can run the DMX signal from the controller over Ethernet cable using Art-Net protocol and convert it to a DMX-compliant signal using a standard Art-Net to DMX node.

If you would like assistance with creating a DMX link, your Martin supplier will be glad to advise.

The number of VC-Strips that you can control on one DMX link is limited by the number of DMX channels the VC-Strips will use and the 512 DMX channels available in one DMX universe at the DMX controller. Each time you have used 512 channels, you must create a new DMX link that is connected to a new DMX universe on the controller. Note that this limit applies to the *DMX link*. The maximum safety limits that apply to the *hybrid link* (see "Safety information" on page 4) take priority and must be respected in all cases.

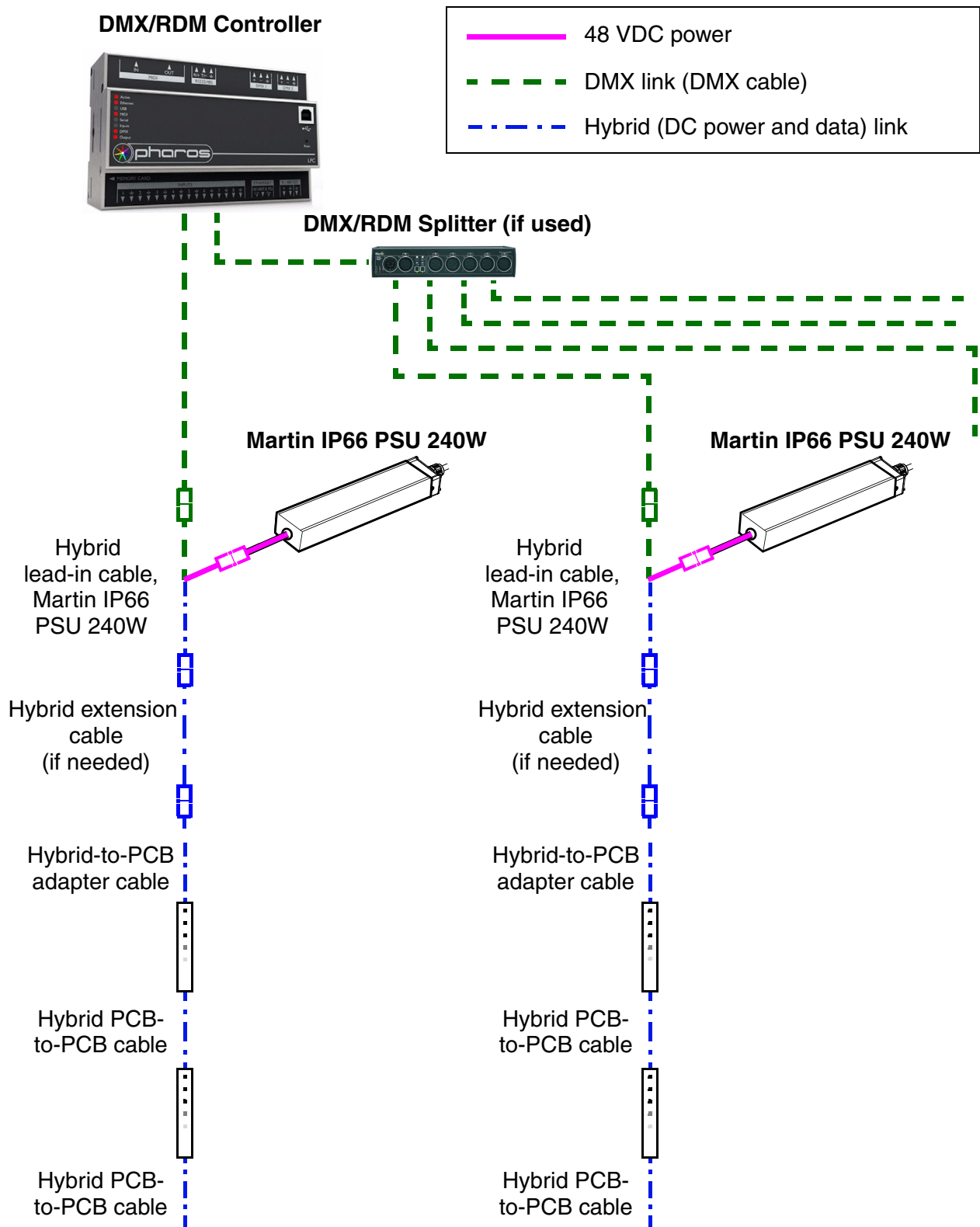
### DC Power options in DMX installations

A DMX-controlled VC-Strip installation can be supplied with DC power from the Martin IP66 PSU 240W external PSU or from a generic external PSU (the Mean Well SP-480 48, for example).

The hardware and cables required are slightly different depending on which type of PSU you use to supply the installation with DC power. The two different types of installation are covered in the next two sections:

- If you are using a Martin IP66 PSU 240W, see "Installing a DMX system using the Martin IP66 PSU 240W" on page 16.
- If you are using a generic 48 VDC PSU, see "Installing a DMX system using a generic external 48 VDC PSU" on page 18.

## Installing a DMX system using the Martin IP66 PSU 240W



See Table 2 on page 5 for maximum permitted number of modules in chain

Figure 6: DMX-controlled system using the Martin IP66 PSU 240W

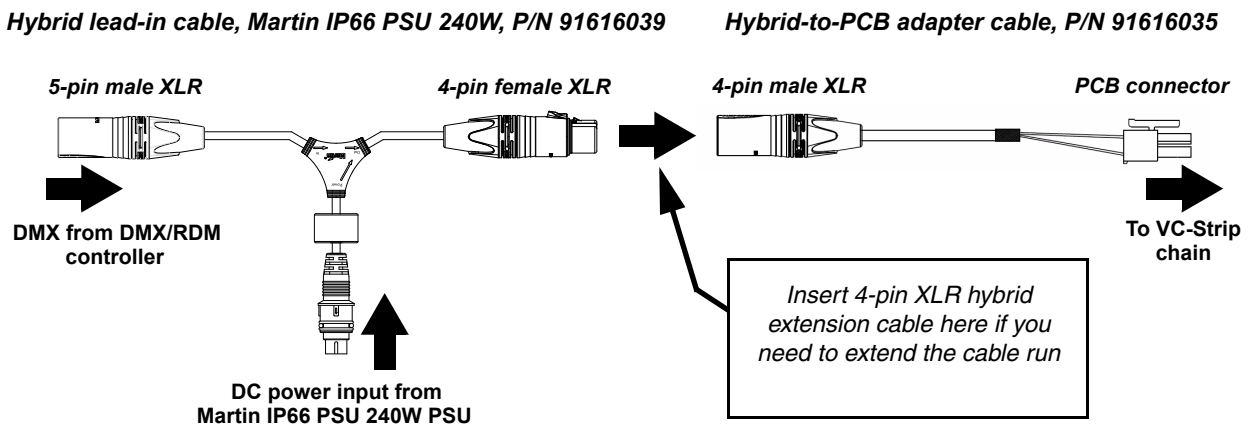


To create a DMX-controlled installation that draws DC power from the Martin IP66 PSU 240W:

1. See Figure 6 on page 16 for an overview of this type of installation
2. Make sure that no devices in the installation can be connected to AC mains power until all installation work is complete.
3. Read “Safety information” on page 4 and “Precautions to avoid damage” on page 7.
4. Connect VC-Strips together in daisy-chains using Martin hybrid PCB-to-PCB cables (see “VC-Strip to VC-Strip link cables” on page 31). Connect each cable from the THRU connector on one VC-Strip to the IN connector on the next VC-Strip.

**Warning!** Do not exceed the maximum permitted number of modules per chain given in Table 2 on page 5.

5. See Figure 7. Connect a Martin hybrid-to-PCB adapter cable (P/N 91616035) to the first VC-Strip of each chain.
6. If necessary, you can extend the hybrid link by connecting a Martin 4-pin XLR hybrid extension cable to the Hybrid-to-PCB adapter cable. Suitable extension cables are available from Martin in various lengths. See “Extension cables” on page 31.
7. See Figure 7. Connect the DC power input connector of a Martin IP66 PSU 240W hybrid lead-in cable (P/N 91616039) to the DC output on the Martin IP66 PSU 240W.

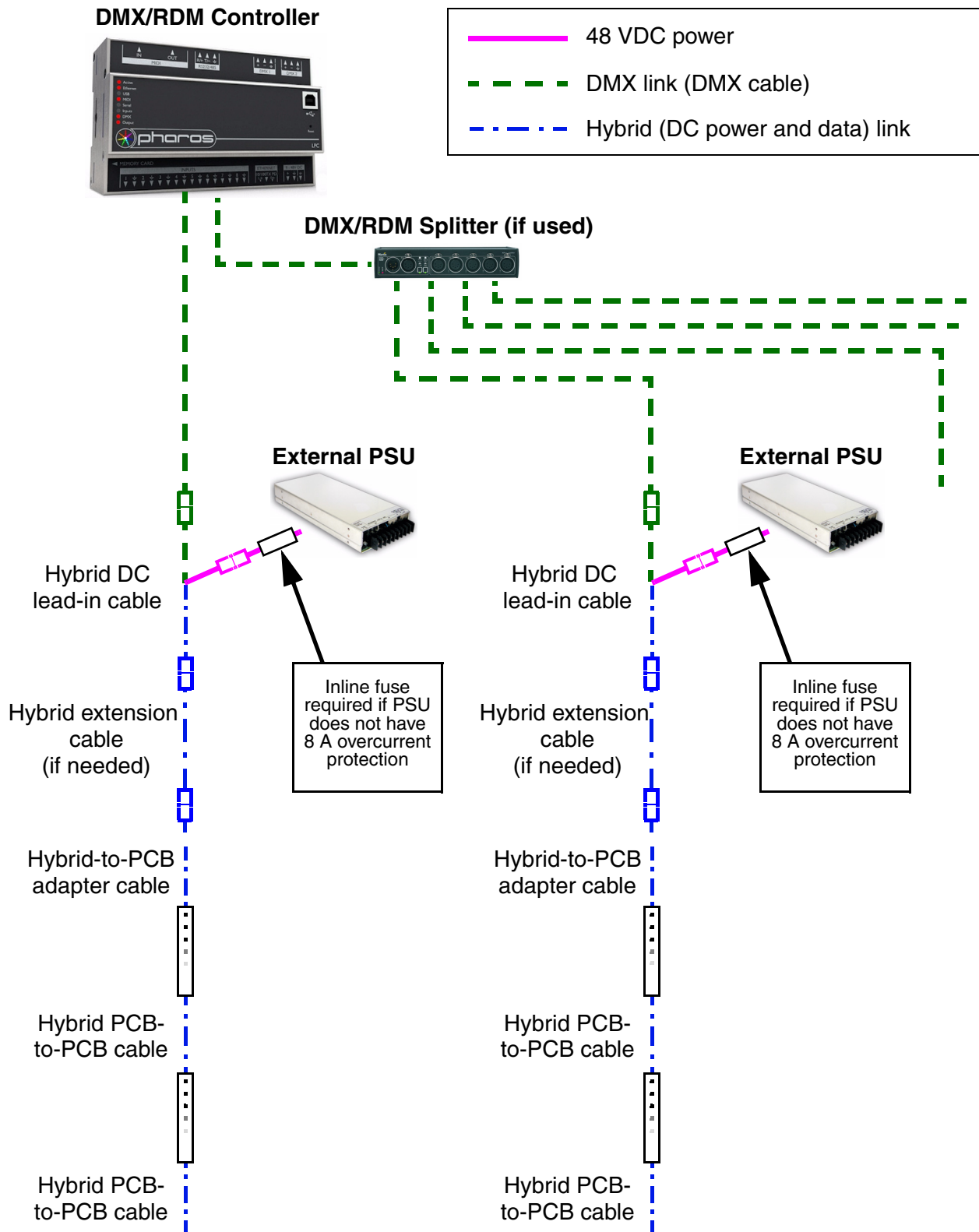


**Figure 7: Martin IP66 PSU 240W and DMX connections to a VC-Strip chain**

8. Connect the 4-pin female XLR connector on the hybrid lead-in cable to the 4-pin male connector on the hybrid-to-PCB adapter cable (or on the hybrid extension cable, if you have extended the hybrid link).
9. Connect the 5-pin male XLR connector on the hybrid lead-in cable to a DMX link that carries a DMX signal from an RDM-compliant DMX controller.
10. Install a mains power cable on the Martin IP66 PSU 240W and connect it to AC mains power.
11. Apply AC mains power to the DMX controller.

You can now configure the system. See “System setup” on page 21.

## Installing a DMX system using a generic external 48 VDC PSU



See Table 3 on page 6 for maximum permitted number of modules in chain. Do not exceed PSU output rating.

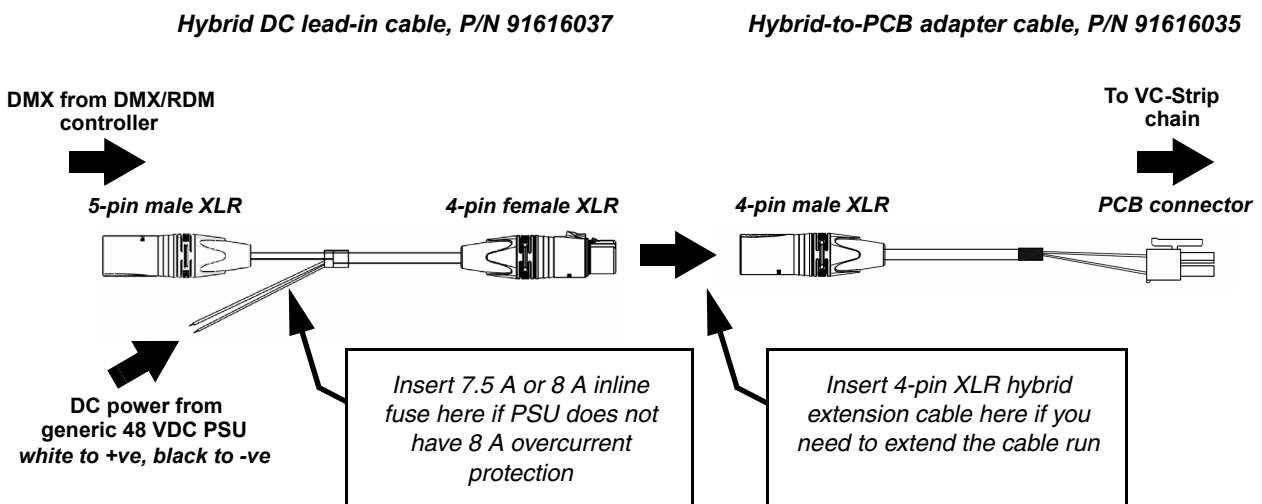
**Figure 8: DMX-controlled system using a generic PSU**

To create a DMX-controlled installation that draws DC power from a generic PSU:

1. See Figure 8 on page 18 for an overview of this type of installation.
2. Make sure that no devices in the installation can be connected to AC mains power until all installation work is complete.
3. Read "Safety information" starting on page 4 and "Precautions to avoid damage" on page 7.
4. Connect VC-Strips together in chains using Martin hybrid PCB-to-PCB cables (see "VC-Strip to VC-Strip link cables" on page 31). Connect each cable from the THRU connector on one VC-Strip to the IN connector on the next VC-Strip.

**Warning!** Check the PSU's DC output power rating in watts and the power consumption figures in watts for VC-Strip modules given in Table 3 on page 6. Do not create a chain of VC-Strip modules that will exceed the power rating of the DC output on the PSU. Even if the PSU's DC output power rating would be high enough, do not create a chain of VC-Strips that contains more than the maximum permitted number per chain given in Table 3 on page 6.

5. See Figure 9. Connect a Martin hybrid-to-PCB adapter cable (P/N 91616035) to the first VC-Strip of each chain.
6. If necessary, you can extend the hybrid link cable run by connecting a Martin 4-pin XLR hybrid extension cable to the Hybrid-to-PCB adapter cable. Suitable extension cables are available from Martin in various lengths. See "Extension cables" on page 31.
7. See Figure 9. If the PSU does not have constant overcurrent protection that will limit current to 8 A on the DC output used, install an inline fuseholder with a 7.5 A or 8 A fuse on the white (+ve) power wire of a Martin hybrid lead-in cable (P/N 91616037). A 30 amp automotive-type inline fuseholder with a 7.5 A blade fuse can be used. Connect the power wires on the lead-in cable to a DC output on the PSU. Connect the white wire to positive (+ve) and the black wire to negative (-ve).



**Figure 9: Generic PSU and DMX connections to a VC-Strip chain**

8. Connect the 4-pin female XLR connector on the hybrid lead-in cable to the 4-pin male connector on the hybrid-to-PCB adapter cable (or on the hybrid extension cable, if you have extended the hybrid link).
9. Connect the 5-pin male XLR connector on the hybrid lead-in cable to a DMX link that carries a DMX signal from an RDM-compliant DMX controller.
10. Apply AC mains power to the external PSU.
11. Apply AC mains power to the DMX controller.

You can now configure the system. See "System setup" on page 21.

## Connecting additional devices to a VC-Strip chain

### Drawing off combined data and DC power from the end of a chain

If you want to continue the hybrid link to carry 48 VDC power and a P3 video or DMX signal from the end of a VC-Strip chain to other devices, connect a Martin Hybrid Adapter Cable, PCB to 4-pin female XLR, P/N 91616036, to the **OUT** connector of the last module in the chain.



**Warning!** If you draw off DC power from the end of a VC-Strip chain and connect additional devices, respect the maximum safe power rating of the power source that you use to supply all the devices with DC power. Calculate the power consumption of the VC-Strip chain using the figures in Table 3 on page 6, then add the power consumption of each device that you add to the end of the chain. As soon as you reach 360 W – or the maximum power rating of the device that you use to supply the chain with DC power if this rating is lower than 360 W – you must stop adding devices and create a new chain that draws DC power from a new source.

#### **Drawing off a DMX signal from the end of a chain**

If you want to continue the DMX link to carry a DMX signal from the end of a VC-Strip chain to other devices, connect a Martin Hybrid Adapter Cable, PCB to 4-pin female XLR, P/N 91616036, to the **OUT** connector of the last module in the chain.

Then, to connect to a standard DMX link that uses 5-pin XLR connectors, add a Martin Data Out/Thru Adapter Cable, 4-pin male XLR to 5-pin female XLR, P/N 91616040. This adapter cable relays the DMX data signal only, it does not collect DC power at its 4-pin male XLR connector.

# System setup



**Warning!** Read “Safety information” on page 4 and “Precautions to avoid damage” on page 7 before applying power to the VC-Strip.

## Setting up for P3 display

A Martin P3™ system allows video to be displayed on an installation that consists of or includes VC-Strip devices. When a P3 controller is connected to the data link and the installation is powered on, you can set up all the devices on the link from the P3 controller. See the P3 controller user manual for details.

## Setting up for DMX control

A DMX system gives 0 - 100% variable intensity control. Varying the intensity of red, blue and green LEDs in RGB products provides RGB color mixing. Setting red, blue and green to 100% intensity gives white, with the option of adjusting color temperature using the red and blue LEDs.

You can set up and control a VC-Strip installation over the data link using an RDM-compatible DMX controller.

### DMX control channels

DMX controllers send control data to devices over DMX control channels in DMX universes. One DMX universe has 512 channels available.

One DMX channel is required for each control parameter of each element in the installation. An element can consist of an individual pixel, a VC-Strip module, or a group of modules, depending on how you set up the VC-Strips. A control parameter can consist of red intensity, for example. So, red intensity control of one element in an installation uses one channel. RGB control of a VC-Strip installation requires three channels per element.

- If you set a VC-Strip to individual pixel control, you can control each LED on that VC-Strip as an individual pixel using its own DMX channels – three channels per pixel.
- If you set a VC-Strip to module control, you can control all the LEDs on that VC-Strip as a group using the same three DMX channels. Individual control of the pixels on that VC-Strip module is impossible.

Type of VC-Strip module	DMX channels per module, module control	DMX channels per module, individual pixel control
VC-Strip 32x1 15 RGB	3	96
VC-Strip 16x1 15 RGB	3	48
VC-Strip 16x1 25 RGB	3	48
VC-Strip 8x1 25 RGB	3	24
VC-Strip 16x1 30 RGB	3	48
VC-Strip 8x1 30 RGB	3	24
VC-Strip 8x1 60 RGB	3	24
VC-Strip 4x1 60 RGB	3	12

**Table 5: Number of DMX channels required per VC-Strip module**

- If you set multiple VC-Strips to module control and also set up those VC-Strips to use the same DMX channels, you can control all the VC-Strips as a group using the same three DMX channels. Individual control of the pixels or modules in the group is impossible.

### **Calculating the number of DMX channels required**

A VC-Strip installation uses the three DMX channels required by each element (individual pixel, module or group of modules) multiplied by the total number of elements in the installation. For example, an installation containing fifty VC-Strip 16x1 RGB modules will require:

- 3 DMX channels if the entire installation is controlled as one group,
- 3 channels x 10 groups = 30 DMX channels if the installation is divided into ten groups that are controlled individually,
- 3 channels x 50 modules = 150 DMX channels if each of the fifty modules is controlled as an individual group, and
- 3 channels x 50 modules x 16 pixels = 2400 DMX channels if each of the 800 pixels is controlled individually (in this example, five DMX universes will be required because one DMX universe has up to 512 channels).

### **Pixel and module modes**

If you set a VC-Strip to pixel mode, each pixel on the module is controlled individually.

If you set a VC-Strip to module mode, all the pixels on the module are controlled together as one group.

The interfaces of RDM-compliant controllers vary depending on the producer, but you should be able to find the pixel and module mode options in the *Settings* or *Options* area of your controller.

Individual and grouped control can be mixed freely in an installation. For example, some VC-Strip modules can be set up for individual pixel control, other modules can be set up for individual module control, and other modules can be put into groups for grouped control of multiple modules.

### **DMX addresses**

To prepare an installation for DMX control, you need to set it up using an RDM-compliant DMX controller so that each individually controlled element (pixel, module or group of modules) will receive instructions from the controller on its own DMX channels. The DMX address (also known as the control address or start channel) is the first of these channels. If an element requires more than one DMX channel, it uses the DMX address channel and the channels immediately above it. For example, if you set a VC-Strip RGB module to module mode so that you control all its pixels as one group, and if you set it to DMX address 1, it will use DMX channels 1 - 3. Channel 4 will be available for use as a DMX address for the next device.

If you set a VC-Strip to pixel mode so that you can control individual pixels, its LEDs use DMX addresses according to a 'left-to-right' numbering system. For example, if one VC-Strip RGB module is set to pixel control and set to DMX address 1, each of the 16 LEDs will use 3 channels, and the module will use DMX channels 1 - 48 (Channel 1 -3 for the first pixel at the end of the module with the IN and OUT connectors, channels 4 - 6 for the next pixel etc. until it reaches channels 46 - 48 for the last pixel furthest from the IN and OUT connectors). Channel 49 will be available for use as a DMX address for the next device.

If you set a VC-Strip to module mode so that you control it as one module, it will use three DMX channels as described above. If you want to create a group of modules that you always control together, give all those modules the same DMX address. All modules that have the same DMX address will receive the same instructions and behave identically.

### **Setting up via RDM**

Using an RDM-compliant DMX controller, you can communicate with the VC-Strip modules on the DMX data link via RDM. You can:

- Retrieve data
- Set the DMX addresses of the groups or pixels on the link
- Set modules to grouped or pixel control modes (see above)
- Apply various setup options.

See the controller's user manual for details of how to retrieve information from and send commands to the VC-Strip.

## **Setting up shortened modules**

Any VC-Strip that has been shortened by cutting the module will communicate the number of LEDs it contains to the P3 or RDM controller so that its pixels are controlled correctly.

# Using the VC-Strip



**Warning!** Read “*Safety information*” on page 4 and “*Precautions to avoid damage*” on page 7 on before applying power to the VC-Strip.

Do not use the VC-Strip if the ambient temperature exceeds 45° C (113° F) or falls below -20° C (-4° F). Monitor component temperatures with reference to Table 4 on page 8.

## P3 display

The VC-Strip will display video from all common video sources that is processed and sent via a Martin P3 controller. See the P3 controller documentation for details.

## DMX control

The VC-Strip will display effects controlled by DMX. An RDM-compatible controller is strongly recommended, as RDM allows two-way communication. See the DMX/RDM controller documentation for details.

## Local control button

The small control button on the back of the VC-Strip (see Figure 1 on page 9) lets you display the product’s status, test the LEDs and reset the VC-Strip.

### Status display

To display a VC-Strip module’s status, press the control button once. LEDs 1 - 4 will give one of the indications listed in the tables below for a few seconds.

Color	Output	Indication	Action required
Blue	Constant	Busy (e.g. booting up or writing to flash memory).	Wait a moment for normal operation to be resumed.
Red	Constant	Error. The VC-Strip has encountered a fatal error and can not run.	Perform a factory reboot, followed by a firmware upload.
Red	Flashing	No control source detected.	Connect a P3 system controller or DMX source to the network.
Green	Flashing	Ready. VC-Strip connected to P3 controller but not receiving valid P3 data stream.	Set up the P3 controller to use the VC-Strip.
Green	Constant	Running normally in P3 mode.	None.
Cyan	Flashing	Ready. VC-Strip connected to DMX controller but not receiving valid DMX data stream.	Set up the DMX controller to use the VC-Strip.
Cyan	Constant	Running normally in DMX mode.	None.

**Table 6: Status information**

## Testing, rebooting and returning to defaults

The tables below list the functions of the control button on each VC-Strip module.

Test patterns are stored in onboard memory. This lets you test the LEDs without an external controller. However, test patterns can also be called up on P3 system controllers and the P3 PowerPort 1500.

Button action	Function
Short press	The first press displays status as shown in Table 6 for a few seconds. The next presses display the following test patterns on the LEDs (one short press scrolls to next pattern): <ul style="list-style-type: none"><li>- Calibrated white</li><li>- Full red</li><li>- Full green</li><li>- Full blue</li><li>- Scrolling gradient</li><li>- Dimmed (20% uncalibrated white)</li></ul>
Press and hold until LEDs 1-4 light blue	Reboot the VC-Strip.
Press and hold until LEDs 1-4 light white	Return the VC-Strip to its default factory firmware.

**Table 7: Control button functions**



# Service and maintenance



**Warning!** Read “Safety information” on page 4 and “Precautions to avoid damage” on page 7 before carrying out service on the VC-Strip.

**Warning!** Isolate the installation from AC mains power before servicing.



**Warning!** Refer any service operation not described in this manual to a qualified service technician.

**Important!** Excessive dirt buildup causes overheating and a risk of short-circuits and may damage the product. Damage caused by inadequate cleaning is not covered by the product warranty.

**Important!** The VC-Strip is not designed to allow hot-plugging. Shut down power and data before connecting or disconnecting modules, or you will probably cause damage that is not covered by the product warranty.

The user will need to clean the VC-Strip periodically. All other service operations on the VC-Strip must be carried out by Martin or its approved service agents.

Installation, on-site service and maintenance can be provided worldwide by the Martin Professional Global Service organization and its approved agents, giving owners access to Martin’s expertise and product knowledge in a partnership that will ensure the highest level of performance throughout the product’s lifetime. Please contact your Martin supplier for details.

## Cleaning

Cleaning schedules vary greatly depending on the operating environment. It is therefore impossible to specify precise cleaning intervals for the VC-Strip. In extreme cases, the product may require cleaning after surprisingly few hours of operation. Environmental factors that may result in a need for frequent cleaning include:

- Use of smoke or fog machines.
- High airflow rates (near air conditioning vents, for example).
- Presence of cigarette smoke.
- Airborne dust (from stage effects, building structures and fittings or the natural environment in outdoor locations, for example).

If one or more of these factors is present, inspect products soon after installing them to see whether cleaning is necessary. Check again at frequent intervals. This procedure will allow you to assess cleaning requirements in your particular situation. If in doubt, consult your Martin dealer about a suitable maintenance schedule.

**Important!** **Electrostatic discharges may cause damage. Do not touch the VC-Strip with fingers or a compressed air nozzle.**

To clean the product, use low-pressure compressed air to gently remove dust and loose particles from the front and back of the product. Avoid touching the product’s conductive surfaces and electronic components.

## Installing new software

It may be necessary to upload new software (i.e. device firmware) to the VC-Strip if it appears to have a software-related fault or if you want to update to a newer software version.

Software for Martin products is available from the Martin website. The VC-Strip software can be installed from the P3 System Controller over the P3 data link. See the P3 System Controller user manual for software installation instructions.

# Troubleshooting

<b>Problem</b>	<b>Probable cause(s)</b>	<b>Remedy</b>
Control is lost and pressing control button causes VC-Strip to show constant or flashing red status indication.	Error has occurred.	Check that system is correctly connected, set up and running. Hold control button pressed in until it turns blue, then release, to reboot VC-Strip. Restart P3 or DMX controller.
Product seems completely dead.	Product has gone into thermal protection shutdown.	Check product temperature readouts on P3 system controller. Reduce ambient temperature by providing ventilation or fan cooling, for example.
	No DC power to product.	Check 48 VDC power supply and cables
	Internal fault.	Disconnect from power. Do not attempt repairs yourself. Contact Martin Service or an authorized Martin service partner for assistance.
VC-Strip does not display as intended.	Bad 48 VDC power transmission.	Inspect connections and cables. Correct poor connections. Repair or replace damaged cables.
	Bad data transmission.	Inspect connections and cables. Correct poor connections. Repair or replace damaged cables.
	Incorrect mapping or addressing of products.	Check product address and controller settings.
	Product in installation is defective and is disturbing data transmission.	Substitute known good products one at a time until normal operation is regained. Have faulty product serviced by Martin Service.

**Table 8: Troubleshooting**

# Specifications

## Physical

### **VC-Strip 32x1 15**

Pixel layout	32x1
Pixel pitch	15 mm (0.59 in.)
Length	480 mm (18.90 in.)*
Width	19 mm (0.75 in.)
Height	15 mm (0.59 in.)
Weight	54 g (1.9 oz.)

### **VC-Strip 16x1 15**

Pixel layout	16x1
Pixel pitch	15 mm (0.59 in.)
Length	240 mm (9.45 in.)*
Width	19 mm (0.75 in.)
Height	15 mm (0.59 in.)
Weight	33 g (1.2 oz.)

### **VC-Strip 16x1 25**

Pixel layout	16x1
Pixel pitch	25 mm (0.98 in.)
Length	400 mm (15.75 in.)*
Width	20 mm (0.79 in.)
Height	18 mm (0.71 in.)
Weight	43 g (1.5 oz.)

### **VC-Strip 8x1 25**

Pixel layout	8x1
Pixel pitch	25 mm (0.98 in.)
Length	200 mm (7.87 in.)*
Width	20 mm (0.79 in.)
Height	18 mm (0.71 in.)
Weight	26 g (0.9 oz.)

### **VC-Strip 16x1 30**

Pixel layout	16x1
Pixel pitch	30 mm (1.18 in.)
Length	480 mm (18.90 in.)*
Width	19 mm (0.75 in.)
Height	15 mm (0.59 in.)
Weight	51 g (1.8 oz.)

### **VC-Strip 8x1 30**

Pixel layout	8x1
Pixel pitch	30 mm (1.18 in.)
Length	240 mm (9.45 in.)*
Width	19 mm (0.75 in.)
Height	15 mm (0.59 in.)
Weight	31 g (1.1 oz.)

### **VC-Strip 8x1 60**

Pixel layout	8x1
Pixel pitch	60 mm (2.36 in.)
Length	480 mm (18.90 in.)*
Width	19 mm (0.75 in.)
Height	15 mm (0.59 in.)
Weight	53 g (1.9 oz.)

### **VC-Strip 4x1 60**

Pixel layout	4x1
Pixel pitch	.60 mm (2.36 in.)
Length	240 mm (9.45 in.)*
Width	19 mm (0.75 in.)
Height	15 mm (0.59 in.)
Weight	32 g (1.1 oz.)

\*Including 1 mm (0.04 in.) end-to-end gap between modules

### **Control and programming**

Control options	Martin P3™ System Controller or DMX
Protocol detection	Automatic
Control modes	Pixel and module
Setting and addressing	P3 System controller or RDM-compliant DMX controller
Control resolution	16-bit (P3) or 8-bit (DMX) control of each color
Color and intensity calibration	Pixel-level
Video signal compliance	Martin P3™ proprietary video protocol
DMX compliance	USITT DMX512-A
RDM compliance	ANSI/ESTA E1.20
Firmware update	Via P3 System Controller

### **DMX channels used**

VC-Strip 4x1 RGB, pixel mode	12
VC-Strip 4x1 RGB, module mode	3
VC-Strip 8x1 RGB, pixel mode	24
VC-Strip 8x1 RGB, module mode	3
VC-Strip 16x1 RGB, pixel mode	48
VC-Strip 16x1 RGB, module mode	3
VC-Strip 32x1 RGB, pixel mode	96
VC-Strip 32x1 RGB, module mode	3

### **Control/user interface**

Device status	Visual indication via LED display
Device test	Control pushbutton calls up local test patterns
Device reset	Control pushbutton

### **Video processing**

Brightness control
Gamma correction and control
Color temperature control
Color gamut control
Calibration processing
Synchronization

### **Optics**

Viewing angle	120° x 120°
Minimum LED lifetime	50 000 hours (to >70% luminous output)*

\*Obtained under manufacturer's test conditions

### **System Integration**

P3 PowerPort 1500™	P/N 90721040
--------------------	--------------

See [www.martin.com](http://www.martin.com) for latest information.

### **Construction**

Base	Black FR4 circuit board
Protection rating	IP20
RoHS compliant	

## Installation

Orientation . . . . .	Any
Mounting method . . . . .	Mounting holes in module
Minimum clearance around front surface. . . . .	10 mm (0.4 in.)

*See earlier in this manual for maximum safe limits on number of VC-Strip modules that can be interconnected in one chain.*

## Connections

Power & data input. . . . .	4-pin Molex male PCB connector
Power & data thru . . . . .	4-pin Molex female PCB connector

*Hot-plugging not supported.*

## Electrical

Nominal input voltage . . . . .	48 VDC
---------------------------------	--------

### **VC-Strip 4x1 60 RGB**

Peak power consumption (at full intensity, full white) . . . . .	.2 W
Peak current draw (at full intensity, full white) . . . . .	.005 A
Typical power consumption (with typical video content) . . . . .	.1 W
Typical current draw (with typical video content) . . . . .	.002 A

### **VC-Strip 8x1 25 RGB**

Peak power consumption (at full intensity, full white) . . . . .	.4 W
Peak current draw (at full intensity, full white) . . . . .	.009 A
Typical power consumption (with typical video content) . . . . .	1.5 W
Typical current draw (with typical video content) . . . . .	.003 A

### **VC-Strip 8x1 30 RGB**

Peak power consumption (at full intensity, full white) . . . . .	.4 W
Peak current draw (at full intensity, full white) . . . . .	.009 A
Typical power consumption (with typical video content) . . . . .	1.5 W
Typical current draw (with typical video content) . . . . .	.003 A

### **VC-Strip 8x1 60 RGB**

Peak power consumption (at full intensity, full white) . . . . .	.4 W
Peak current draw (at full intensity, full white) . . . . .	.009 A
Typical power consumption (with typical video content) . . . . .	1.5 W
Typical current draw (with typical video content) . . . . .	.003 A

### **VC-Strip 16x1 15 RGB**

Peak power consumption (at full intensity, full white) . . . . .	.4 W
Peak current draw (at full intensity, full white) . . . . .	.009 A
Typical power consumption (with typical video content) . . . . .	1.5 W
Typical current draw (with typical video content) . . . . .	.003 A

### **VC-Strip 16x1 25 RGB**

Peak power consumption (at full intensity, full white) . . . . .	.8 W
Peak current draw (at full intensity, full white) . . . . .	.017 A
Typical power consumption (with typical video content) . . . . .	.3 W
Typical current draw (with typical video content) . . . . .	.006 A

### **VC-Strip 16x1 30 RGB**

Peak power consumption (at full intensity, full white) . . . . .	.8 W
Peak current draw (at full intensity, full white) . . . . .	.017 A
Typical power consumption (with typical video content) . . . . .	.3 W
Typical current draw (with typical video content) . . . . .	.006 A

### **VC-Strip 32x1 15 RGB**

Peak power consumption (at full intensity, full white) . . . . .	.8 W
Peak current draw (at full intensity, full white) . . . . .	.017 A
Typical power consumption (with typical video content) . . . . .	.3 W
Typical current draw (with typical video content) . . . . .	.006 A

*Figures are per module and allow for cable in a chain with a total hybrid cable length of 50 m.*

*Figures for typical video content are indicative only and will vary. Peak figures must always be used for safety calculations.*

**Thermal**

Cooling . . . . .	Convection
Maximum ambient temperature (Ta max.) . . . . .	45° C (113° F)
Minimum ambient temperature (Ta min.) . . . . .	-20° C (-4° F)

**VC-Strip 4x1 60 RGB**

Peak heat dissipation (calculated, at full intensity, full white) . . . . .	7 BTU/hr.
Typical heat dissipation (calculated, with typical video content) . . . . .	3 BTU/hr.

**VC-Strip 8x1 25 RGB**

Peak heat dissipation (calculated, at full intensity, full white) . . . . .	14 BTU/hr.
Typical heat dissipation (calculated, with typical video content) . . . . .	5.5 BTU/hr.

**VC-Strip 8x1 30 RGB**

Peak heat dissipation (calculated, at full intensity, full white) . . . . .	14 BTU/hr.
Typical heat dissipation (calculated, with typical video content) . . . . .	5.5 BTU/hr.

**VC-Strip 8x1 60 RGB**

Peak heat dissipation (calculated, at full intensity, full white) . . . . .	14 BTU/hr.
Typical heat dissipation (calculated, with typical video content) . . . . .	5.5 BTU/hr.

**VC-Strip 16x1 15 RGB**

Peak heat dissipation (calculated, at full intensity, full white) . . . . .	14 BTU/hr.
Typical heat dissipation (calculated, with typical video content) . . . . .	5.5 BTU/hr.

**VC-Strip 16x1 25 RGB**

Peak heat dissipation (calculated, at full intensity, full white) . . . . .	28 BTU/hr.
Typical heat dissipation (calculated, with typical video content) . . . . .	11 BTU/hr.

**VC-Strip 16x1 30 RGB**

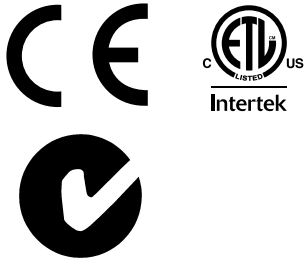
Peak heat dissipation (calculated, at full intensity, full white) . . . . .	28 BTU/hr.
Typical heat dissipation (calculated, with typical video content) . . . . .	11 BTU/hr.

**VC-Strip 32x1 15 RGB**

Peak heat dissipation (calculated, at full intensity, full white) . . . . .	28 BTU/hr.
Typical heat dissipation (calculated, with typical video content) . . . . .	11 BTU/hr.

*Figures for typical video content are indicative only and will vary*

**Approvals**



EU safety . . . . .	EN 60950-1
EU EMC . . . . .	EN 55103-1, EN 55103-2, EN 55022, EN 55024, EN 61000-3-2, EN 61000-3-3
US safety . . . . .	UL 60950-1
US EMC . . . . .	FCC Part 15 Class A
Canadian safety . . . . .	CSA C22.2 No. 60950-1
Canadian EMC . . . . .	ICES-003 Class A
Australia/NZ . . . . .	C-Tick N4241

**Accessories**

VC-Grid/Strip 25 Lens Arrays, Narrow, set of eight . . . . .	P/N 91611540
--	--------------

**Mounting accessories**

VC-Grid/Strip 25 Mounting Frames, set of ten . . . . .	P/N 91611370
VC-Grid 15/30/60 Mounting Frames, set of ten . . . . .	P/N 91611560

**Input cables**

Hybrid Input Adapter Cable, 4-pin male XLR to PCB connector, 0.25 m (0.8 ft.) . . . . .	P/N 91616035
Hybrid Input Adapter Cable, 5-pin male XLR + two cable tails to 4-pin female XLR, 0.25 m (0.8 ft.) . . . . .	P/N 91616037
Hybrid Input Adapter Cable, 5-pin male XLR + 4-pin male XLR to 4-pin female XLR, 0.25 m (0.8 ft.) . . . . .	P/N 91616038
Hybrid Input Adapter Cable, 5-pin male XLR + Martin IP66 PSU 240W to 4-pin female XLR, 0.25 m (0.8 ft.) . . . . .	P/N 91616039

**VC-Strip to VC-Strip link cables**

Hybrid link cable, PCB to PCB, 200 mm (7.9 in.) . . . . .	P/N 91616025
Hybrid link cable, PCB to PCB, 400 mm (15.7 in.) . . . . .	P/N 91616026
Hybrid link cable, PCB to PCB, 600 mm (23.6 in.) . . . . .	P/N 91616027
Hybrid link cable, PCB to PCB, 800 mm (31.5 in.) . . . . .	P/N 91616028
Hybrid link cable, PCB to PCB, 1000 mm (39.4 in.) . . . . .	P/N 91616029

**Extension cables**

Hybrid 4-pin XLR to 4-pin XLR extension cable, 1 m (3.3 ft.) . . . . .	P/N 91616030
Hybrid 4-pin XLR to 4-pin XLR extension cable, 2.5 m (8.2 ft.) . . . . .	P/N 91616031
Hybrid 4-pin XLR to 4-pin XLR extension cable, 5 m (16.4 ft.) . . . . .	P/N 91616032
Hybrid 4-pin XLR to 4-pin XLR extension cable, 10 m (32.8 ft.) . . . . .	P/N 91616033
Hybrid 4-pin XLR to 4-pin XLR extension cable, 25 m (82.0 ft.) . . . . .	P/N 91616034

**Cable without connectors**

Hybrid extension cable, Rental, 100 m (328.1 ft.) . . . . .	P/N 91616045
Hybrid extension cable, Install CMX, 100 m (328.1 ft.) . . . . .	P/N 91616060
Hybrid extension cable, Install LSZH, 100 m (328.1 ft.) . . . . .	P/N 91616017

**Output / throughput cables**

Hybrid Output/Thru Cable, PCB to 4-pin female XLR, 0.25 m (0.8 ft.) . . . . .	P/N 91616036
DMX Data Output/Thru Cable, 4-pin male XLR to 5-pin female XLR, 0.25 m (0.8 ft.) . . . . .	P/N 91616040

*Hybrid cables carry both DC power and data over separate conductors*

**Related Items**

Martin P3-PC™ System Controller . . . . .	P/N 90721030
P3-050™ System Controller . . . . .	P/N 90721090
P3-150™ System Controller . . . . .	P/N 90721015
P3-300™ System Controller . . . . .	P/N 90721060
P3 PowerPort™ 1500 . . . . .	P/N 90721040
P3 PowerPort™ 1000 IP Rental. . . . .	P/N 90721070
P3 PowerPort™ 1000 IP Installation . . . . .	P/N 90721080
Martin® IP66 PSU 240W external power supply unit (identical to Martin® Tripix Power IP66) . . . . .	P/N 90760330
Martin® RDM 5.5 Splitter. . . . .	P/N 90758150

*See [www.martin.com](http://www.martin.com) for latest information on VC system and related products*

**Ordering information**

VC-Strip™ 32x1 15 RGB. . . . .	P/N 90357440
VC-Strip™ 16x1 15 RGB. . . . .	P/N 90357450
VC-Strip™ 16x1 25 RGB. . . . .	P/N 90357290
VC-Strip™ 8x1 25 RGB. . . . .	P/N 90357320
VC-Strip™ 16x1 30 RGB. . . . .	P/N 90357460
VC-Strip™ 8x1 30 RGB. . . . .	P/N 90357470
VC-Strip™ 8x1 60 RGB. . . . .	P/N 90357480
VC-Strip™ 4x1 60 RGB. . . . .	P/N 90357490

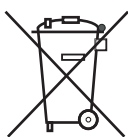
*Specifications subject to change without notice. For the latest product specifications, see [www.martin.com](http://www.martin.com)*

### **FCC Compliance**

This device complies with Part 15 of the FCC Rules. Operation is subject to the following two conditions: (1) This device may not cause harmful interference, and (2) this device must accept any interference received, including interference that may cause undesired operation.

### **Canadian Interference-Causing Equipment Regulations - *Règlement sur le Matériel Brouilleur du Canada***

This Class A digital apparatus meets all requirements of the Canadian Interference-Causing Equipment Regulations.  
*Cet appareil numérique de la classe A respecte toutes les exigences du Règlement sur le Matériel Brouilleur du Canada.*



### **Disposing of this product**

Martin products are supplied in compliance with Directive 2002/96/EC of the European Parliament and of the Council of the European Union on WEEE (Waste Electrical and Electronic Equipment), as amended by Directive 2003/108/EC, where applicable.

Help preserve the environment! Ensure that this product is recycled at the end of its life. Your supplier can give details of local arrangements for the disposal of Martin products.









