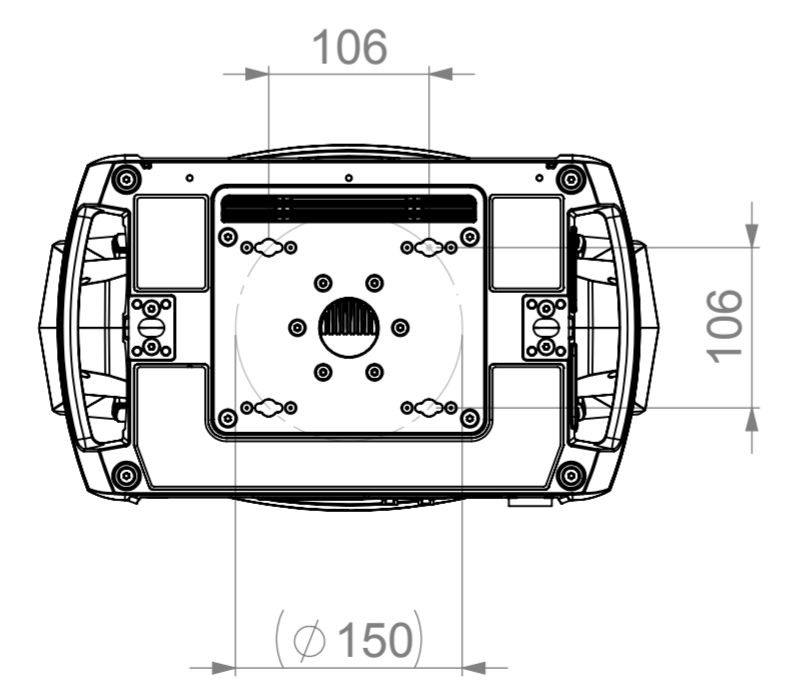
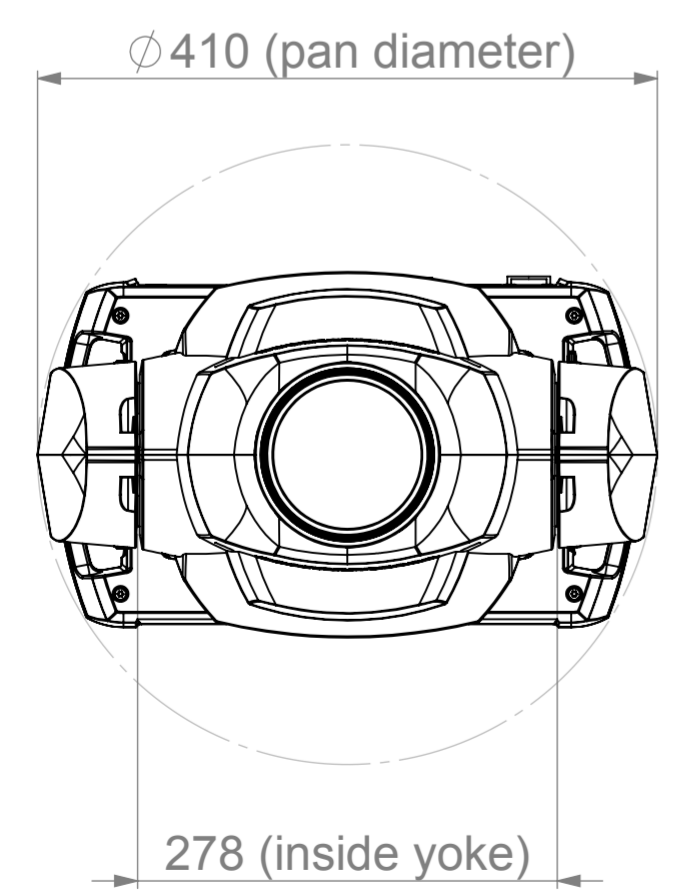
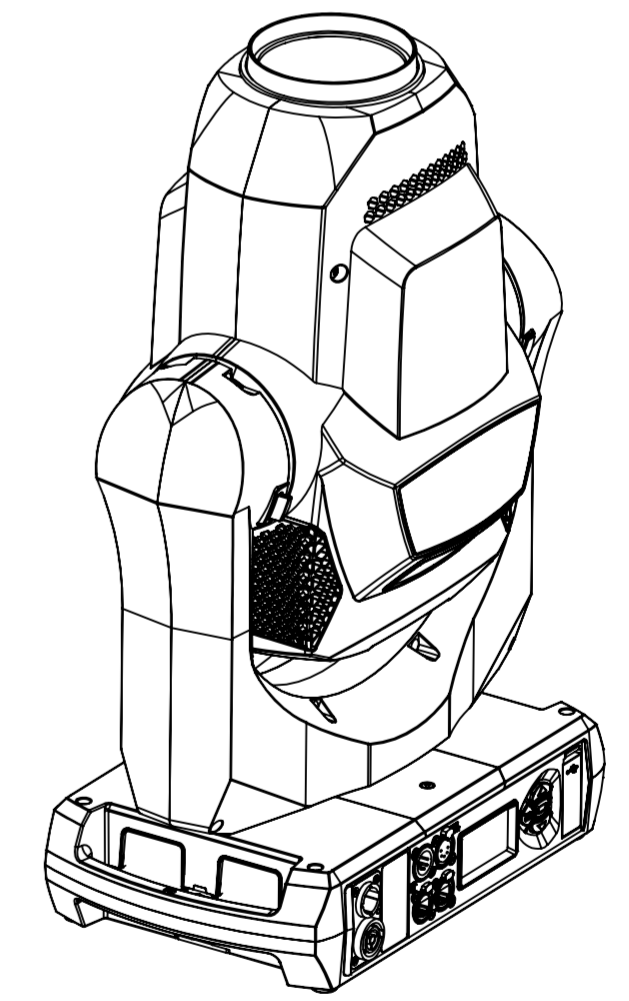
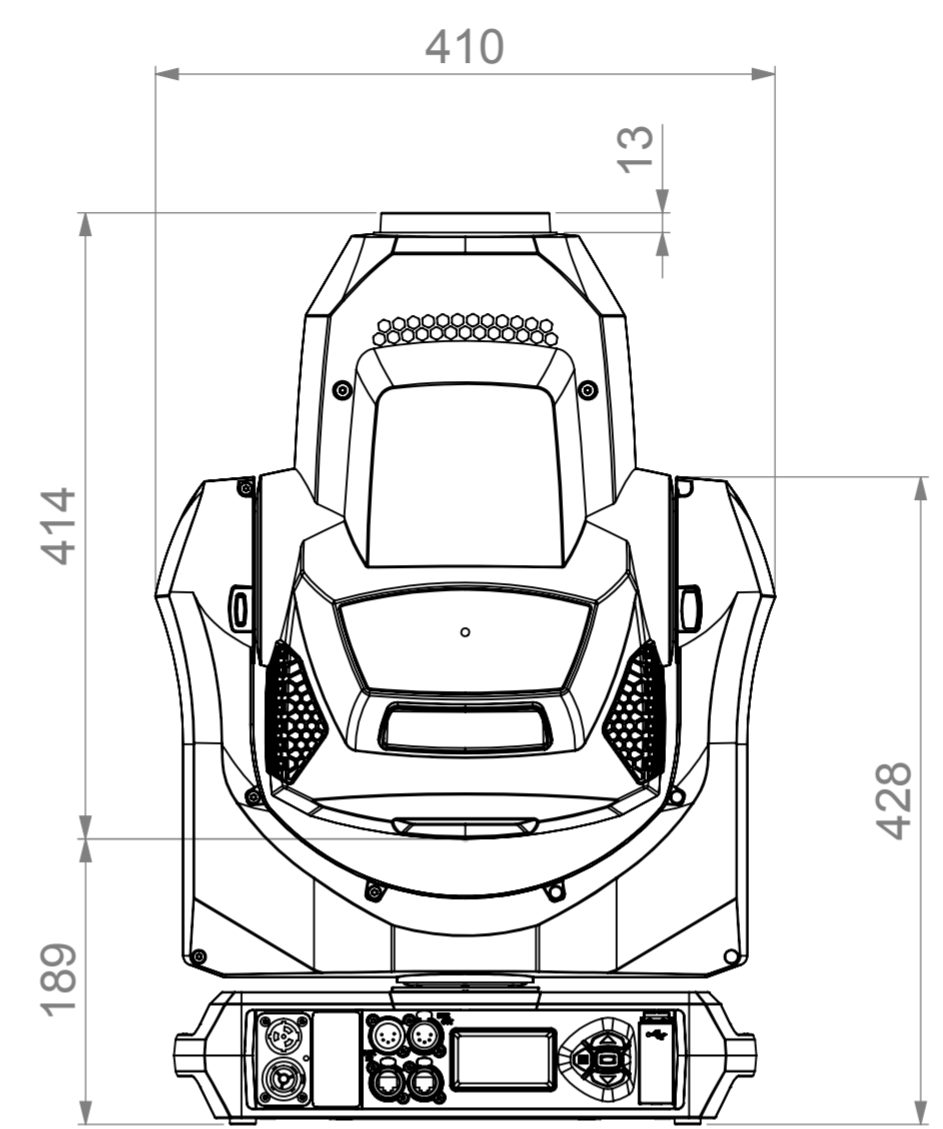
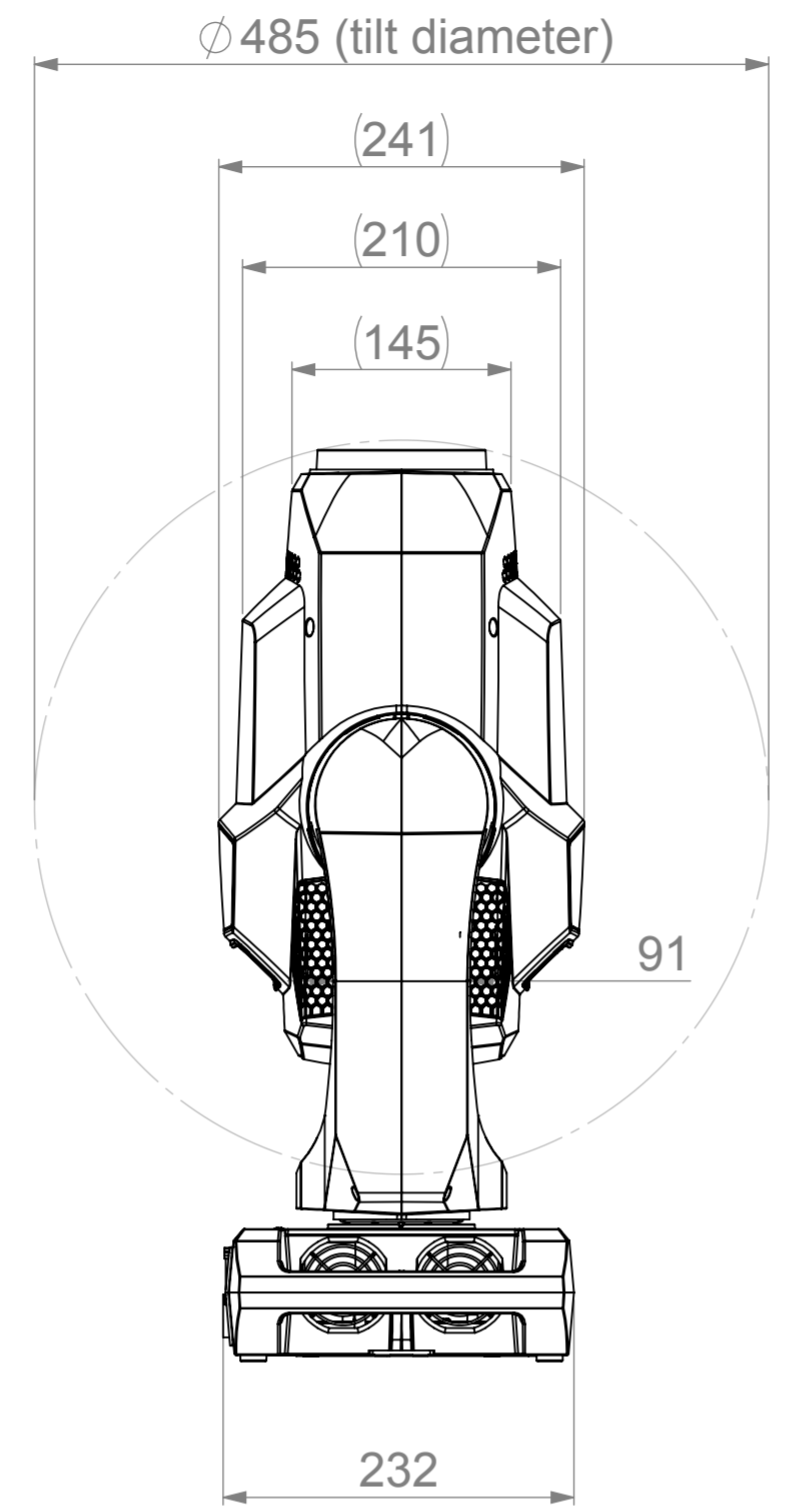
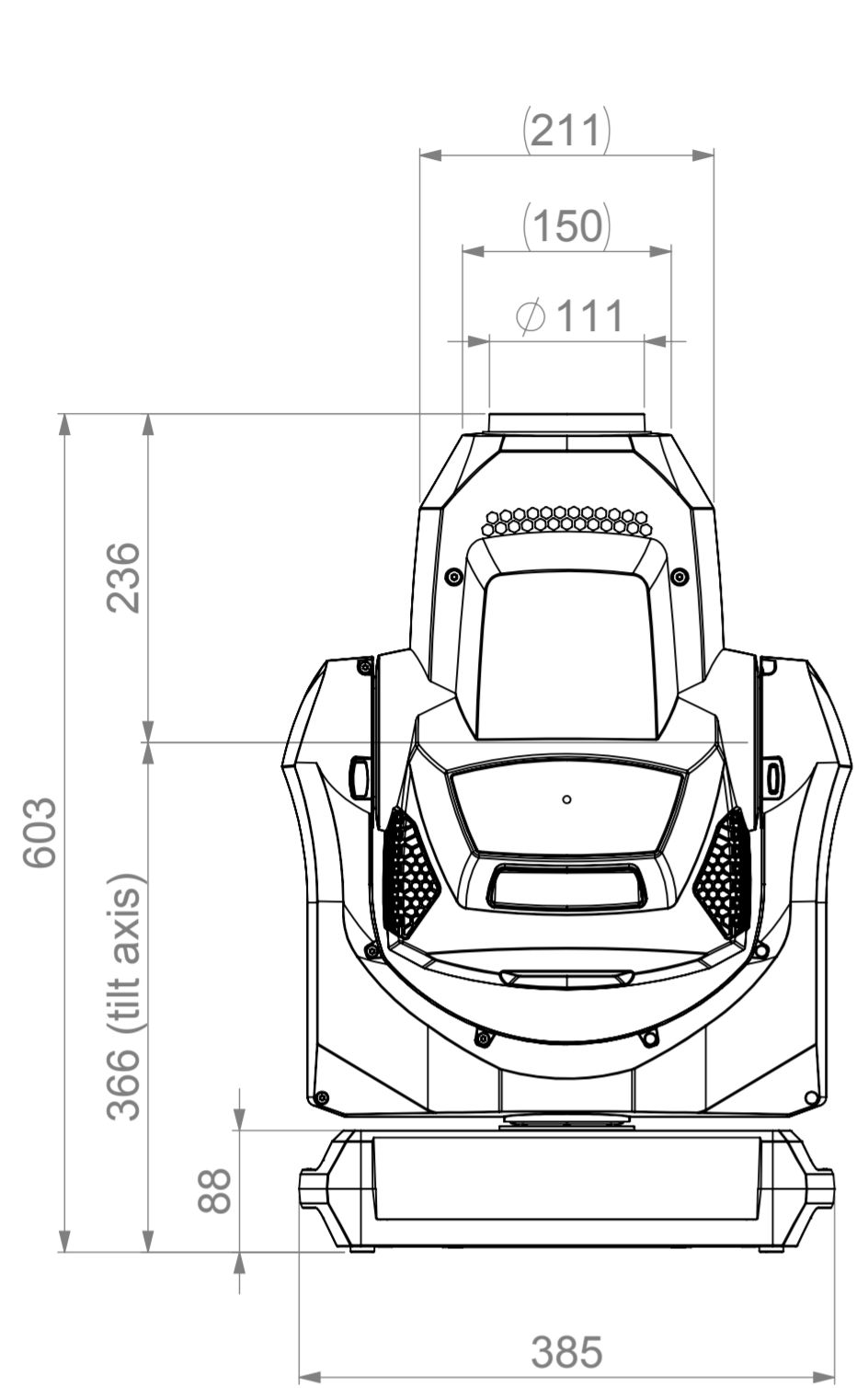


REVISION HISTORY

DATE	REV.	DESCRIPTION	BY
30.01.2019	B		ltousgaard



General Technical Specification apply to this item

© 2017 HARMAN Professional Denmark ApS PROPRIETARY AND CONFIDENTIAL PROPERTY OF HARMAN. DO NOT DISCLOSE, REPRODUCE, OR PUBLISH WITHOUT WRITTEN HARMAN APPROVAL.	Material	FIRST ANGLE PROJECTION		<b>HARMAN</b>	HARMAN Professional Denmark ApS Olof Palmes Allé 44 DK 8200 Aarhus N
	General linear tolerance				
<b>ROHS</b> RESTRICTION OF HAZARDOUS SUBSTANCES ALL MATERIALS USED IN THIS PART MUST BE ROHS COMPLIANT.	General angular tolerance	Item to be		TITLE <b>MAC Allure Profile</b>	
	Color	Item to be		NO. <b>5095502-00-B</b> REV See table	
SUPPLIER SHALL PROVIDE A CERTIFICATE OF ROHS COMPLIANCE WITH THE FIRST ARTICLE.	DIMENSIONS SHOWN ARE FOR REFERENCE AND INSPECTION ONLY. REFER TO CAD MODEL PROVIDED WITH THIS DRAWING FOR OVERALL DEFINITION OF PART GEOMETRY.	Item to be		SIZE <b>A2</b> SCALE <b>1:5</b> DO NOT SCALE DRAWING	SHEET <b>1</b> OF <b>1</b>