

ELP WW

WARM WHITE LED ELLIPSOIDAL LIGHT FIXTURE

SPEC SHEET



HIGHLIGHTS

- **Impressive light output**
Output rating of 7,000 lumens at 3000K.
- **Superior CRI rating**
Industry-leading CRI rating of 97
- **Revolutionary focus and functionality**
Industry's first gear-driven Fine Focus, Fast Focus for data-free focusing, and more.
- **Compatible with universal accessories**
Use industry standard lens tubes, gel frames, gobo holders and rotators

OVERVIEW

Martin ELP WW (Warm White) LED ellipsoid fixtures deliver the class-leading luminance, output and vivid color rendering. Ergonomic Danish engineering offers advances in lighting functionality that include the easy-to-use gear-based Fine Focus—an industry first; and on-board Fast Focus which allows focusing of the fixture without the need of DMX data. ELP also offers 16-bit dimming with 4 selectable curves.

ELP fixtures can be configured with one of four Martin lens tubes in 19, 26, 36 and 50-degree beam angles and are compatible with third-party lens tubes along with a wide range of accessories, including gel frames and gobos for flexibility in lighting design and inventory management.

Superior output, optics and color rendering, combined with unparalleled ease-of-use and convenience, make Martin ELP the leading LED ellipsoidal fixture in its class.

KEY MESSAGES

ADVANCED MARTIN OPTICS

Martin ELP Ellipsoids feature optic assemblies designed in Denmark by the technology innovators behind MAC Encore, the leading LED moving light. The ELP is designed to maximize efficiency and deliver a flat field of illumination for smoother blending and mixing between fixtures.

MEET CUTTING-EDGE LED TECHNOLOGY

ELP WW delivers 7,000 lumens of output and an industry-leading 97 CRI at 3000K color temperature, for the truest color representation on any surface. ELP Ellipsoids also offer flicker-free operation for consistent light output, on and off camera and 16-bit dimming with 4 selectable curves.

FOCUS ON FUNCTIONALITY

ELP takes a classic light fixture to new performance levels with a suite of innovative features. Our gear-based Fine Focus adjustment—an industry first—lets you lock focus exactly where you want it, instantly.

There's no refocusing, no drifting and no slipping. Our innovative Fast Focus feature brings the fixture to full output for 60 seconds without data running to the fixture. Halation Color correction removes atypical blue and brown halos when using Martin lens tubes.

ERGONOMIC DESIGN

Danish engineering is all about efficiency and ergonomics, and the subtle details of ELP are no exception: We've placed the center of gravity as close to the yoke as possible, for more comfortable operation. And, we've placed tilt knobs out of the way of framing shutters, to allow quick, easy position adjustments.

INVEST IN THE FUTURE, WITH A MINIMAL FINANCIAL INVESTMENT

It has never been easier to transition your inventory to LED ellipsoidals. In addition to the four lens tube configurations available through Martin, the ELP line fits common 3rd party lens tubes and accessories—which which means you can save money by using your existing gel frames, gobo holders and rotators and lens tubes.

ELP WW

WARM WHITE LED ELLIPSOIDAL LIGHT FIXTURE

SPEC SHEET

FEATURES

- Warm White 3000K ellipsoidal fixture based on 91 LEDs
- Flat even field
- Lumen output of 7000 lumens
- CRI rating of 97
- Flicker-free operation with adjustable Pulse Width Modulation
- 16-bit dimming with 4 selectable curves
- Gear-driven Fine Focus for one-hand operation
- On-board Fast Focus for focusing without the need of DMX data
- On-board stand-alone programming with up to 20 scenes
- Up to 9 fixtures can be linked via PowerCon Thru connector
- High resolution OLED display for easy on-board setting and configuration
- Four available Martin lens tubes in 19, 26, 36 and 50-degree beam angles
- Compatible with universal accessories—use existing lens tubes, gel frames, gobo holders and rotators



ORDERING INFORMATION

BODY & LENS TUBES

- | | |
|-------------------------------------|----------------|
| • Martin ELP WW (Body Only): | P/N 9045107781 |
| • Martin ELP WW (Body Only), White: | P/N 9045115165 |
| • Martin ELP Lens Tube: 19°: | P/N 9045107782 |
| • Martin ELP Lens Tube: 26°: | P/N 9045107783 |
| • Martin ELP Lens Tube: 36°: | P/N 9045107784 |
| • Martin ELP Lens Tube: 50°: | P/N 9045107785 |
| • Martin ELP Lens Tube 19° White: | P/N 9045115166 |
| • Martin ELP Lens Tube 26° White: | P/N 9045115167 |
| • Martin ELP Lens Tube 36° White: | P/N 9045115168 |
| • Martin ELP Lens Tube 50° White: | P/N 9045115170 |

RELATED ITEMS

- | | |
|-----------------------------|--------------|
| • Martin® RDM 5.5 Splitter: | P/N 90758150 |
| • Martin Companion Cable: | P/N 91616091 |

ACCESSORIES

Cables (16 A, for connection to power in chains):

- | | |
|--|--------------|
| • Power input cable, H07RN-F, 2.5 mm ² , 14 AWG, bare ends to Neutrik TRUE1 NAC3FX-W (female), 1.5 m (4.9 ft.): | P/N 91611797 |
| • Power input cable, H07RN-F, 2.5 mm ² , 14 AWG, bare ends to Neutrik TRUE1 NAC3FX-W (female), 5 m (16.4 ft.): | P/N 91611786 |
| • Link Cable, H07RN-F Neutrik TRUE1-TRUE1 0.45 m (1.5 ft.): | P/N 91611784 |
| • Link Cable, H07RN-F Neutrik TRUE1-TRUE1 1.2 m (3.9 ft.): | P/N 91611785 |
| • Link Cable, H07RN-F Neutrik TRUE1-TRUE1 2.5 m (8.2 ft.): | P/N 91611796 |

Power Connectors

- | | |
|---|--------------|
| • Neutrik PowerCON TRUE1 NAC3MX-W (male): | P/N 91611788 |
| • Neutrik PowerCON TRUE1 NAC3FX-W (female): | P/N 91611789 |

ELP WW

WARM WHITE LED ELLIPSOIDAL LIGHT FIXTURE

SPEC SHEET

TECHNICAL SPECIFICATIONS

DYNAMIC EFFECTS

Electronic dimming	0 - 100%
Strobe and pulse effect	Variable speed and action, random strobe
Electronic 'shutter' effect	Instant open and blackout
Electronic dimming	Four dimming curve options

CONTROL AND PROGRAMMING

DMX channels	1/2/4
16-bit control	Intensity
Control options	DMX, stand-alone
PWM	600-1200Hz
Setting and addressing	Control panel with OLED display or via RDM
Stand-alone programming	Control panel with OLED display
DMX compliance	USITT DMX512-A
RDM compliance	ANSI/ESTA E1.20
Transceiver	Opto-isolated RS-485

OPTICS

Light source	91 x 3W warm white LEDs
Color temperature	3000K
Lens Tube Options	19°, 26°, 36° & 50°
Minimum LED lifetime	30 000 hours (to >70% luminous output)*

*Figure obtained under manufacturer's test conditions

PHOTOMETRIC DATA

Light engine luminous output	16000 lumen
Fixture luminous output	7000 lumen
CRI (Color Rendering Index)	>97
CQS (Color Quality Scale)	>93
TM-30 Rf (IES TM-30-15 Fidelity Index)	>93
TM-30 Rg (IES TM-30-15 Gamut Index)	>101
TLCI (Television Lighting Consistency Index)	>96

CONSTRUCTION

Color(s)	Black or white variant
Housing	Die-cast aluminum
Protection rating	IP20

GOBOS AND COLOR FRAME

Gobo size	A size, 100 mm OD, 75 mm ID*
Gobo size	B size, 86 mm OD, 64.5 mm ID*
Color frame size	159 x 159mm (6.25 in. x 6.25 in.)

* gobo holder not included

INSTALLATION

Mounting	Adjustable bracket
Location	Indoor use only
Orientation	Any
Minimum distance to combustible materials	0.2 m (0.7 ft.)
Minimum distance to illuminated surfaces	0.5 m (1.6 ft.)

CONNECTIONS

AC power in/thru	Neutrik PowerCON TRUE1
DMX & RDM data in/thru	5-pin locking XLR

ELECTRICAL

AC power	100-240 V nominal, 50/60 Hz
Power supply unit	Auto-ranging electronic switch- mode
Idle power (zero intensity)	5 W
Half-cycle RMS inrush current at 230 V, 50 Hz	15.3 A
Fixture link via PowerCON at 100-120 V	Up to 4 fixtures
Fixture link via PowerCON at 200-240 V	Up to 9 fixtures

Power consumption figures are typical, not maximum. Allow for +/- 10% variation.

TYPICAL POWER AND CURRENT

110 V, 60 Hz	2.6 A, 280 W, PF 0.99
208 V, 60 Hz	1.4 A, 270 W, PF 0.97
230 V, 50 Hz	1.2 A, 269 W, PF 0.96
240 V, 50 Hz	1.2 A, 268 W, PF 0.96

Measurements made at nominal voltage with all LEDs at full intensity. Allow for a deviation of +/- 10%.

THERMAL

Cooling	Forced air (temperature- regulated, low noise)
Maximum ambient temperature (Ta max.)	40° C (104° F)
Minimum ambient temperature (Ta min.)	0° C (32° F)
Total heat dissipation [calculated, +/- 10%, at full intensity, full white]:	1000 BTU/hr.

APPROVALS

EU safety	EN 60598-2-17 [EN 60598-1], EN 62471, EN 62493
EU EMC	EN 55015; EN 55032; EN 55103-2; EN 61000-3-2,-3; EN 61547
US safety	UL 1573
US EMC	FCC Part 15 Class B
Canadian safety	CSA C22.2 No. 166
Canadian EMC	ICES-003 Class B, ICES-005 Class B
Australia/NZ	RCM

INCLUDED ITEMS

Power input cable [0.75mm ² , 18 AWG], bare ends to Neutrik TRUE1 NAC3FX-W (female), 1.5 m (4.9 ft.)
Mounting bracket
User manual



ELP WW

WARM WHITE LED ELLIPSOIDAL LIGHT FIXTURE

SPEC SHEET

PROJECTION DATA

19° LENS TUBE



Center beam intensity: 84231 candela

Distance meter (ft.)	4 (13.1)	6 (19.7)	8 (26.2)	10 (32.8)	12 (39.4)	14 (46)	16 (52)	18 (59)	20 (66)
field-angle diameter meter (ft.)	1.5 (4.79)	2.2 (7.2)	2.9 (9.6)	3.7 (12.0)	4.4 (14.4)	5.1 (16.8)	5.8 (19.2)	6.6 (21.6)	7.3 (24.0)
Center illuminance (lux)	5264	2340	1316	842	585	430	329	260	211
Center illuminance (candela)	489	217	122	78	54	40	31	24	20

For field diameter at any distance, multiply distance by 0.37

26° LENS TUBE



Center beam intensity: 58114 candela

Distance meter (ft.)	4 (13)	6 (20)	8 (26)	10 (33)	12 (39)	14 (46)	16 (52)	18 (59)	20 (66)
field-angle diameter meter (ft.)	1.8 (5.9)	2.7 (8.8)	3.6 (11.7)	4.5 (14.7)	5.4 (17.6)	6.3 (20.5)	7.2 (23.5)	8.0 (26.4)	8.9 (29.3)
Center illuminance (lux)	3632	1614	908	581	404	297	227	179	145
Center illuminance (candela)	337	150	84	54	37	28	21	17	13

For field diameter at any distance, multiply distance by 0.45

36° LENS TUBE



Center beam intensity: 29444 candela

Distance meter (ft.)	4 (13)	6 (20)	8 (26)	10 (33)	12 (39)	14 (46)	16 (52)	18 (59)	20 (66)
field-angle diameter meter (ft.)	2.6 (8.4)	3.9 (12.6)	5.1 (16.9)	6.4 (21.1)	7.7 (25.3)	9.0 (29.5)	10.3 (33.7)	11.6 (37.9)	12.8 (42.1)
Center illuminance (lux)	1840	818	460	294	204	150	115	91	74
Center illuminance (candela)	171	76	43	27	19	14	11	8	7

For field diameter at any distance, multiply distance by 0.64

50° LENS TUBE



Center beam intensity: 13947 candela

Distance meter (ft.)	4 (13)	6 (20)	8 (26)	10 (33)	12 (39)	14 (46)	16 (52)	18 (59)	20 (66)
field-angle diameter meter (ft.)	3.9 (12.8)	5.8 (19.2)	7.8 (25.5)	9.7 (31.9)	11.7 (38.3)	13.6 (44.7)	15.6 (51.1)	17.5 (57.5)	19.5 (57.5)
Center illuminance (lux)	872	387	218	139	97	71	54	43	43
Center illuminance (candela)	81	36	20	13	9	7	5	4	4

For field diameter at any distance, multiply distance by 0.97

For center illuminance at any distance, divide center beam intensity with distance in square (meter for lux, feet for candela)

ELP WW

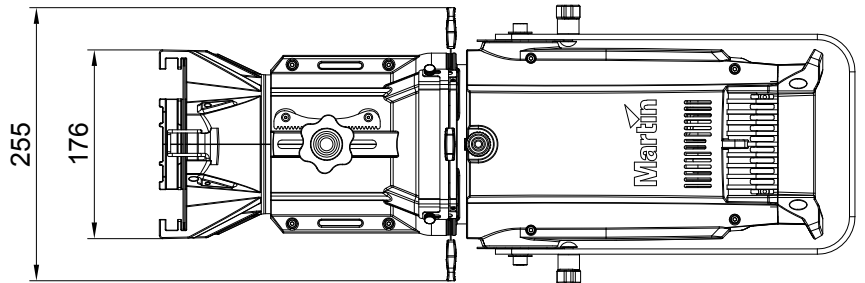
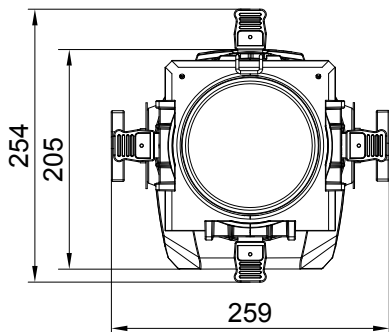
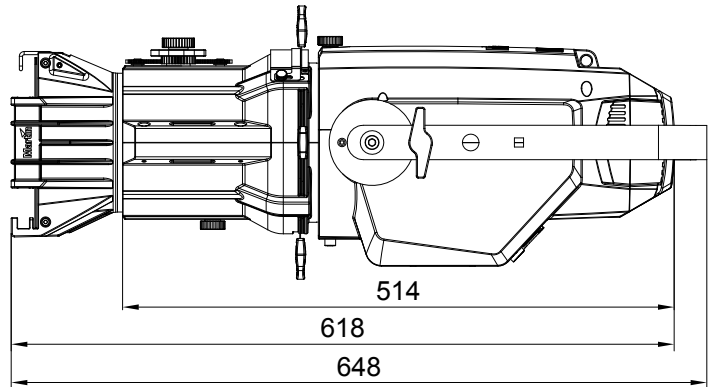
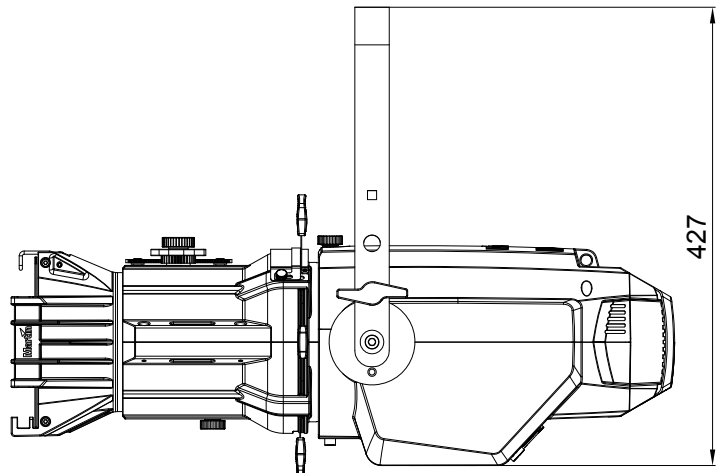
WARM WHITE LED ELLIPSOIDAL LIGHT FIXTURE

SPEC SHEET

DIMENSIONS

PHYSICAL

Length..... 648 mm (25.5 in.)
Width..... 259 mm (10.2 in.)
Height..... 254 mm (10 in.)
Weight..... 7.7 kg (17 lb)



All measurements in mm