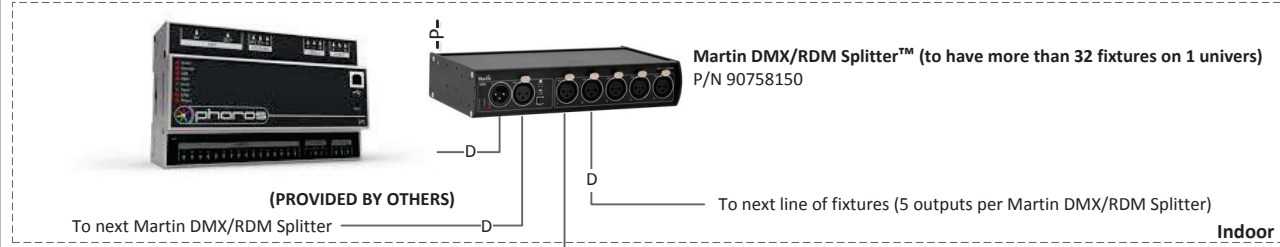


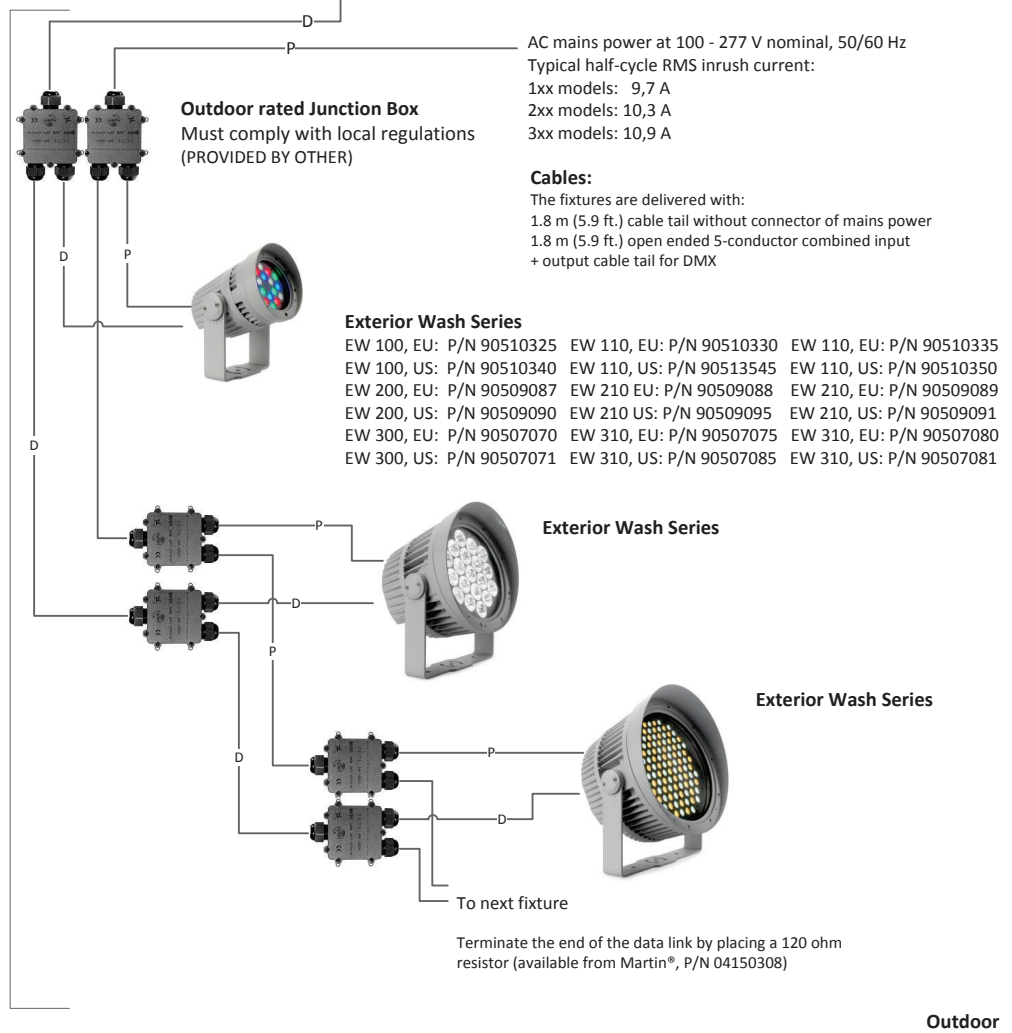
GENERIC SYSTEM DIAGRAM – EXTERIOR WASH SERIES

DMX Source



DMX Channels	Mode					Fixtures/Univers
	RGBW	DRGBW	RGB	DRGB	CTC	
EW 100/110	4 ch	5 ch	3 ch	4 ch	-	128/102/170/128 pcs
EW 120	-	-	-	-	3 ch	128 pcs
EW 200/210	4 ch	5 ch	3 ch	4 ch	-	128/102/170/128 pcs
EW 220	-	-	-	-	3 ch	128 pcs
EW 300/310	4ch	5 ch	3 ch	4 ch	-	128/102/170/128 pcs
EW 320	-	-	-	-	3 ch	128 pcs

Exterior Wash Series generic layout



The maximum permitted length of cables is determined by the installer, based on cable types and mains power.

According to the DMX standard a chain should not exceed 32 fixtures.

Power and data connector

Power conductors:

	Live or L	Neutral or N	Earth or Ground
US variant	Black	White	Green
EU variant	Brown	Blue	Yellow/green

Data conductors:

Wires:	Shield	Input pair (red tube)	Output pair (black tube)
Color:	Black	White/Green Green	White/Brown Brown
Signal:	Common	DMX in + DMX in -	DMX out + DMX out -
Male XLR pin:	Pin 1 Pin 3	Pin 2	- -
Female XLR pin:	Pin 1	-	Pin 3 Pin 2

Accessories:

	EW 1xx	EW 2xx	EW 3xx
Exterior Wash Series, narrow beam diffuser kit	P/N 91610145	P/N 91610154	P/N 91610155
Exterior Wash Series, medium beam diffuser kit	P/N 91610146	P/N 91610153	P/N 91610156
Exterior Wash Series, wide beam diffuser kit	P/N 91610147	P/N 91610152	P/N 91610157
Exterior Wash Series, very wide diffuser kit	P/N 91610148	P/N 91610151	P/N 91610158
Exterior Wash Series, asymmetric diffuser kit	P/N 91610149	P/N 91610150	P/N 91610159
Exterior Wash Series, glare shield / snoot	P/N 91611740	P/N 91611745	P/N 91611735
Honeycomb Louver for Exterior Wash x00/x20	P/N 91611856	P/N 91611857	P/N 91611858
Honeycomb Louver for Exterior Wash x10	P/N 91611855	P/N 91611844	P/N 91611837



CABLES:
D - DMX CABLE F - FIBER OPTIC CABLE (PROVIDED BY OTHERS) H - HYBRID CABLE (PROVIDED BY MARTIN) P - POWER CABLE

Information subject to change without notice. HARMAN Professional Denmark ApS disclaims liability for any injury, damage, direct or indirect loss, consequential or economic loss or any other loss occasioned by the use of, inability to use or reliance on the information contained in this document. Rev A – 07-06-2019