

Overview

The MSD-431-L 4.3" (Landscape) Wall Mount Touch Panel (FG2265-03) features brilliant 24-bit color depth, PoE connectivity, and streaming video (FIG. 1): .

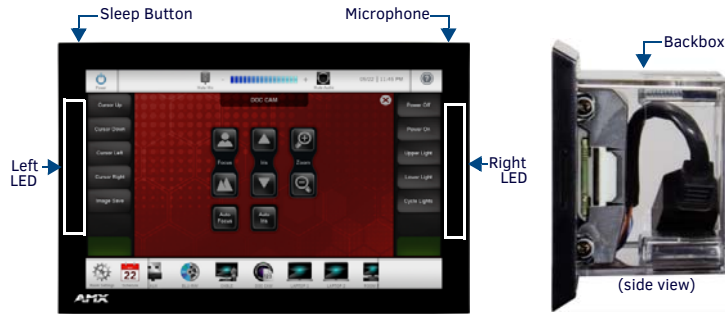


FIG. 1 MSD-431-L

Product Specifications

MSD-431-L SPECIFICATIONS	
Dimensions (HWD)	3 3/8" x 5 1/16" x 2 5/8" (86mm x 128mm x 66mm)
Weight	<ul style="list-style-type: none"> • 0.65 lbs (.295 Kg), with Backbox • 0.5 lbs (.225 Kg), without Backbox
Power Consumption	<ul style="list-style-type: none"> • Full-On: 5W (max) • Typical: 3W • Standby: 2W • Shutdown: 0.7W • Start-Up Inrush Current: Not applicable due to PoE standard
External Power Supply Required	Optimal performance requires use of one of the following AMX PoE power supplies (not included): <ul style="list-style-type: none"> • PS-POE-AF-TC, PoE Injector, 802.3AF Compliant (FG423-83) • NXA-ENET8-2POE, Gigabit PoE Ethernet Switch (FG2178-63)
Certifications	<ul style="list-style-type: none"> • FCC Part 15 Class B • CE EN 55022, 55024, 60950-1 • IEC 60950-1 • IC CISPR 22 Class B • C-Tick CISPR 22 Class B • UL 60950-1 • VCCI CISPR 22 Class B • RoHS • WEEE
Environmental	<ul style="list-style-type: none"> • Temperature (Operating): 32° F to 104° F (0° C to 40° C) • Temperature (Storage): 4° F to 140° F (-20° C to 60° C) • Humidity (Operating): 20% to 85% RH • Humidity (Storage): 5% to 85% RH • Power ("Heat") Dissipation: <ul style="list-style-type: none"> On: 13.6 BTU/hr Standby: 10.9 BTU/hr
Included Accessories	<ul style="list-style-type: none"> • Installation Template 4.3" S Series (68-2265-02) • Backbox, Wall Mount, 4.3" (60-2265-06)

MSD-431-L Installation

The MSD-431-L can be installed via several mounting options:

- Use the included clear plastic Backbox to attach the panel to most standard wall materials.
- Other optional AMX mounting solutions include the MSA-MMK-43 Multi Mount Kit. Refer to the Quick Start Guide included with each mounting kit for instructions.

Plastic Backbox

The MSD-431-L comes with a clear plastic Backbox (FIG. 2). This Backbox can be used to mount the touch panel into most standard wall materials. The Backbox can also be used to mount the panel into other mounting options.

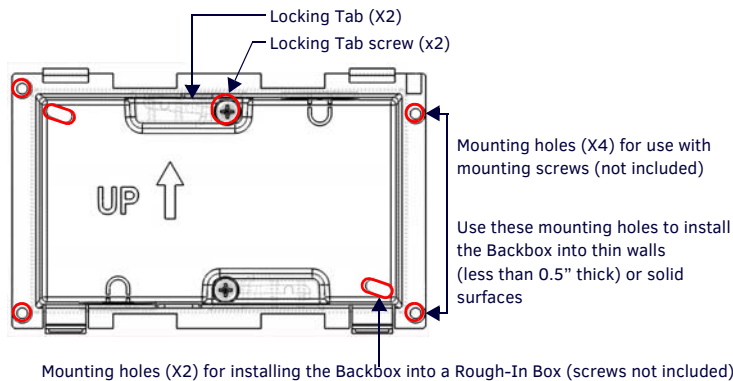


FIG. 2 4.3" MODERO S BACKBOX (FRONT VIEW)

STEP 1: Install the Plastic Backbox

Use the included Installation Template to determine the placement of the Backbox in the mounting surface. The outside edges of the template are the same dimensions as the touch panel, which allows you to troubleshoot possible conflicts with wall edges, doors, and other potential obstacles.

1. After ensuring proper placement, cut an opening in the mounting surface for the Backbox, using the included Installation Template as a guide.
 - Note: Consider making the actual cutout opening slightly smaller than the provided dimensions. This provides a margin of error if the opening needs to be expanded. Too little wall material removed is always better than too much.*
2. Thread the incoming cables (Ethernet and Micro-USB) from their terminal locations through the surface opening, leaving enough slack in the wiring to accommodate any repositioning of the panel.
3. Remove the Backbox knockouts and thread incoming cables through the knockout holes.
4. Gently push the Backbox into the mounting surface.
 - This Backbox uses two Locking Tabs to secure the Backbox to the wall. For typical mounting surfaces, such as drywall, the locking tabs are the primary method for securing the Backbox to the wall.
 - To ensure a stable installation, the thickness of the wall material must be a minimum of .50 inches (1.27cm) and a maximum of .875 inches (2.22cm). The mounting surface should also be smooth and flat. For thin walls or solid surfaces, use mounting screws (not included) - see FIG. 2.
5. Extend the Locking Tabs by tightening the Locking Tab screws until snug (FIG. 3):

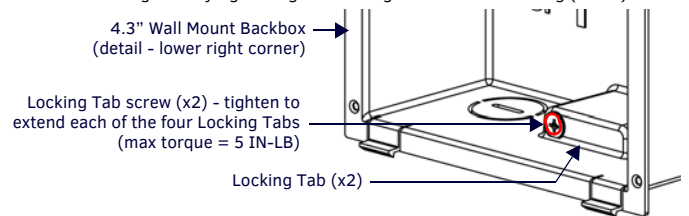


FIG. 3 BACKBOX - LOCKING TAB AND LOCKING TAB SCREW (X2)

CAUTION: The maximum recommended torque to screw in the locking tabs on the plastic Backbox is 5 IN-LB [56 N-CM]. Excessive torque on the tab screws can strip out the locking tabs or damage the Backbox.

- Extend the Locking Tabs only AFTER the Backbox is inserted into the wall.
- When installing the Backbox, make sure that it is positioned correctly.
- The Backbox is clear to allow visual confirmation that the tabs have been extended and are gripping the wall, as well as in assisting with removal if necessary.

STEP 2: Insert Connectors on the Touch Panel

1. Before installing the touch panel into the Backbox, connect the Ethernet and USB cables to the rear of the panel (FIG. 4): .

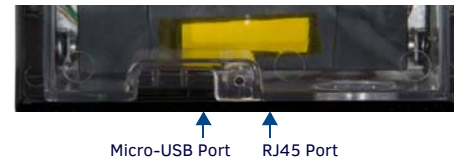


FIG. 4 REAR OF THE MSD-431-L

2. Remove power at the terminal end before continuing with the installation.
 - Note: Do not disconnect the connectors from the touch panel. The unit must be installed with the attached connectors before being inserted into the mounting surface.*

STEP 3: Secure the Touch Panel To the Backbox

The Backbox uses notches on the front edges (top and bottom) to secure the panel into place. Follow the steps below to install the panel into the Backbox, starting the upper edge of the touch panel:

UPPER TABS FIRST

1. Center the top edge of the touch panel against the upper outside edge of the Backbox and latch the top of the panel onto the Backbox top-hooks (FIG. 5):

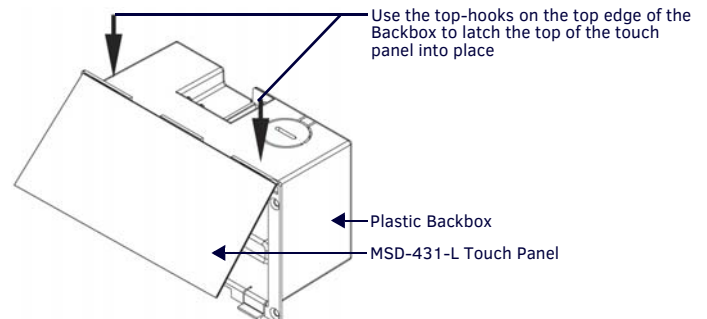


FIG. 5 ENGAGING THE TOP EDGE OF THE PANEL WITH THE TOP HOOKS ON THE BACKBOX

2. Gently press the top edge of the touch panel into place to engage the panel's notches and the top-hooks on the Backbox.

LOWER TABS - Gently Press Into Place

- Swing the bottom edge of the touch panel into position until it rests against the lower outside edge of the Backbox.
Note: If a gap is observed between the panel and the Backbox, or binding is felt while locking down the panel, stop and verify there are no cables in the way. Do not force the panel into position, or the touch screen or the panel electronics may be damaged.
- Gently press the bottom edge of the panel gently but firmly and ONLY IN THE PLACES INDICATED BELOW until the tabs click into place to secure the panel in the Backbox (FIG. 6):

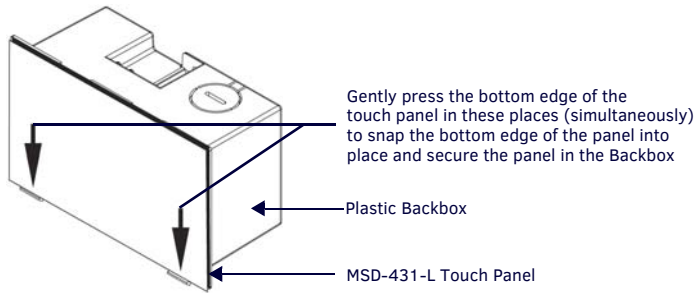


FIG. 6 SNAPPING THE BOTTOM EDGE OF THE PANEL INTO THE BACKBOX

- Reconnect the terminal Ethernet and USB to their respective locations on either the Ethernet port or NetLinx Master.

Removing the MSD-431-L from the Backbox

The clips on the bottom edge of the Backbox lock down the MSD-431-L and must be unlatched in order to remove the touch panel from the Backbox. To do this, you'll need a thin probe such as an straightened paper clip:

- With a straightened paper-clip, carefully press straight into the access holes indicated in FIG. 7, to disconnect the two bottom latches.

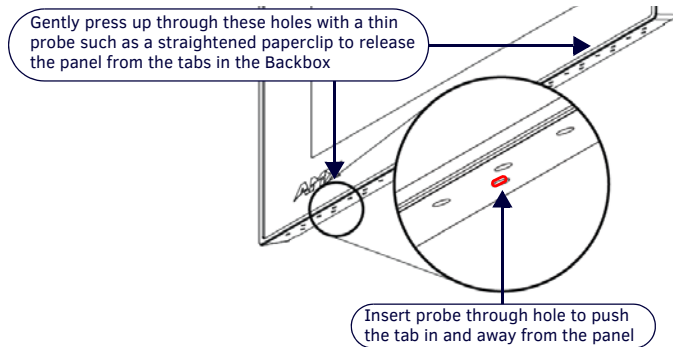


FIG. 7 MSD-431-L/BACKBOX ASSEMBLY

- Grasp the bottom of the panel and pull gently outward until the side of the panel is free of the snap. Use your other hand to stabilize the front of the touch panel (FIG. 8):

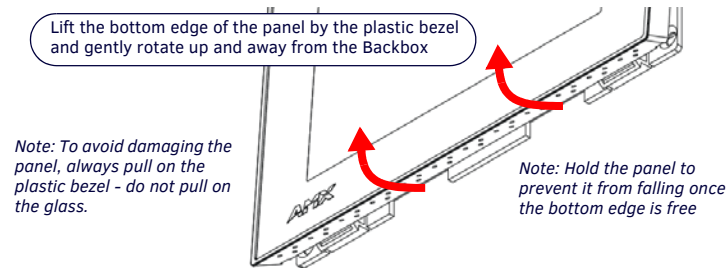


FIG. 8 MSD-431-L/BACKBOX ASSEMBLY (RELEASING THE BOTTOM EDGE OF THE PANEL)

- With the edge of the touch panel free, carefully lift up and out to remove the touch panel from the Backbox. Be careful not to pull on the cables or connectors.

Power Over Ethernet

Power for the MSD-431-L is supplied via Power Over Ethernet (PoE), utilizing an AMX-certified PoE injector such as the PS-POE-AF-TC PoE Injector (FG423-83). The incoming Ethernet cable should be connected to the RJ-45 port on the MSD-431-L.

Configuring and Programming

S Series touch panels are equipped with a *Settings* menu that provides the ability to configure various features on the panels. To access the *Settings* menu, press and hold the Sleep button on the top of the panel for 3 seconds. This invokes an on-screen prompt to release the button to enter the main *Settings* page.

Accessing the Configuration Page

- From the *Settings* menu, press *Configuration*. If the *Configuration* page is password protected, this opens a password keypad.
- Enter the password (default is 1988) and press **OK** to access the page.

Setting the Panel's Device Number and Device Name

In the *Configuration* page:

- Press *Panel* to open the *Panel Configuration* page.
- In the *Device Name* page, ensure that the *Synchronize Device Names* button is not selected; press it to deselect it if it is.
- Press *Device Number* to open the Device Number keypad.
- Enter a unique Device Number assignment for the panel and press **OK**.
- Press the *Device Name* field to open the Device Name keypad.
- Enter a unique Device Name assignment for the panel and press **OK**.
- Click the arrow on the top left of the page once to return to the *Configuration* page and twice to return to the *Settings* page.

Accessing the Connection & Networks Page

- From the *Settings* menu, press *Connection & Networks*. If the page is password protected, this opens a password keypad.
- Enter the panel password into the keypad (the default is 1988) and press **OK** to access the page.

Configuring the Panel's IP Address

The first step is to configure the panel's communication parameters. This only configures the panel to communicate with a network, and it is still necessary to tell the panel with which Master it should be communicating.

Network Communication With a DHCP Address

In the *Connection & Networks* page:

- Select **Network Connection** to open the *Network Connection* page.
- Toggle the *DHCP/Static* field until the choice cycles to *DHCP*.
- Select *Host Name* to open the Host Name keyboard. Enter the new host name and press **OK**.

Setting Static IP Information

- In *DHCP/Static*, press the field until the entry reads "Static". This enables all of the editable *Network Connections* page fields.
- Select *IP Address* to open the *Wired IP Address* keypad.
- Enter the server's IP address and press **OK**.
- Repeat this procedure with the other fields on the *Network Connections* page.

When finished, the new connection information will be visible in the *Network Connections* page.

Rebooting the Panel

Press and hold the text under the *Reboot* section for two seconds.

Shutting Down the Panel

Press and hold the text under the *Shutdown* section for two seconds.

Connecting to a NetLinx Master

To establish the type of connection to make between the panel and NetLinx Master:

- In the *Connection & Networks* page, press **Master Connection**.
- Press **Mode** to toggle through the available connection modes (*Auto*, *URL* or *Listen*):

CONNECTION MODES		
Mode	Description	Procedures
URL	The device connects to the target Master via TCP connection.	1) Press URL in the <i>Mode</i> menu. 2) Enter the <i>Master IP/URL</i> , <i>Master Port Number</i> , and <i>Username/Password</i> (if required by the Master). Press OK to save changes.
Listen	The panel "listens" for the Master's communication signals. Note that in this mode, the <i>System Number</i> and <i>Master IP/URL</i> fields are read-only.	1) Select Listen in the <i>Mode</i> menu. 2) Confirm the panel's IP address is on the Master's URL list (via NetLinx Studio). 3) Press OK to save changes. <i>Note: The Host Name can be used to locate the panel on the Master (particularly useful for DHCP connections where the IP address can change).</i>
Auto	Use this mode when both the panel and the Master are on the same Subnet.	1) Select Auto in the <i>Mode</i> menu. 2) Enter the <i>System Number</i> and <i>Username</i> and <i>Password</i> (if applicable). 3) Press OK to save changes.

- If security is enabled on the target Master, you will be prompted to enter a Username and Password before connecting.
 - Press *Username* to enter the Username and press **OK**.
 - Press *Password* to enter the Password and press **OK**.
 - Press the **Back** button twice to return to the *Settings* page.

Related Software and Additional Documentation

- For additional information on the MST-431 panel, refer to the *S-Series Touch Panels MSD/T-1001, MSD/T-701 & MSD/T-431 Instruction Manual*.
- For detailed information on the *Settings* menu as well programming information and instructions on upgrading firmware, refer to the *Modero S Series Programming Guide*.
- Refer to NetLinx Studio and TPDesign4 online help for programming information.



Last Revised: 10/23/2015

© 2015 Harman. All rights reserved. Modero, AMX, AV FOR AN IT WORLD, and HARMAN, and their respective logos are registered trademarks of HARMAN. Oracle, Java and any other company or brand name referenced may be trademarks/registered trademarks of their respective companies.

AMX does not assume responsibility for errors or omissions. AMX also reserves the right to alter specifications without prior notice at any time. The AMX Warranty and Return Policy and related documents can be viewed/downloaded at www.amx.com.

3000 RESEARCH DRIVE, RICHARDSON, TX 75082 AMX.com | 800.222.0193 | 469.624.8000 | +1.469.624.7400 | fax 469.624.7153

AMX (UK) LTD, AMX by HARMAN - Auster Road, Clifton Moor, York, YO30 4GD United Kingdom • +44 1904-343-100 • www.amx.com/eu

93-2265-03 REV: K

