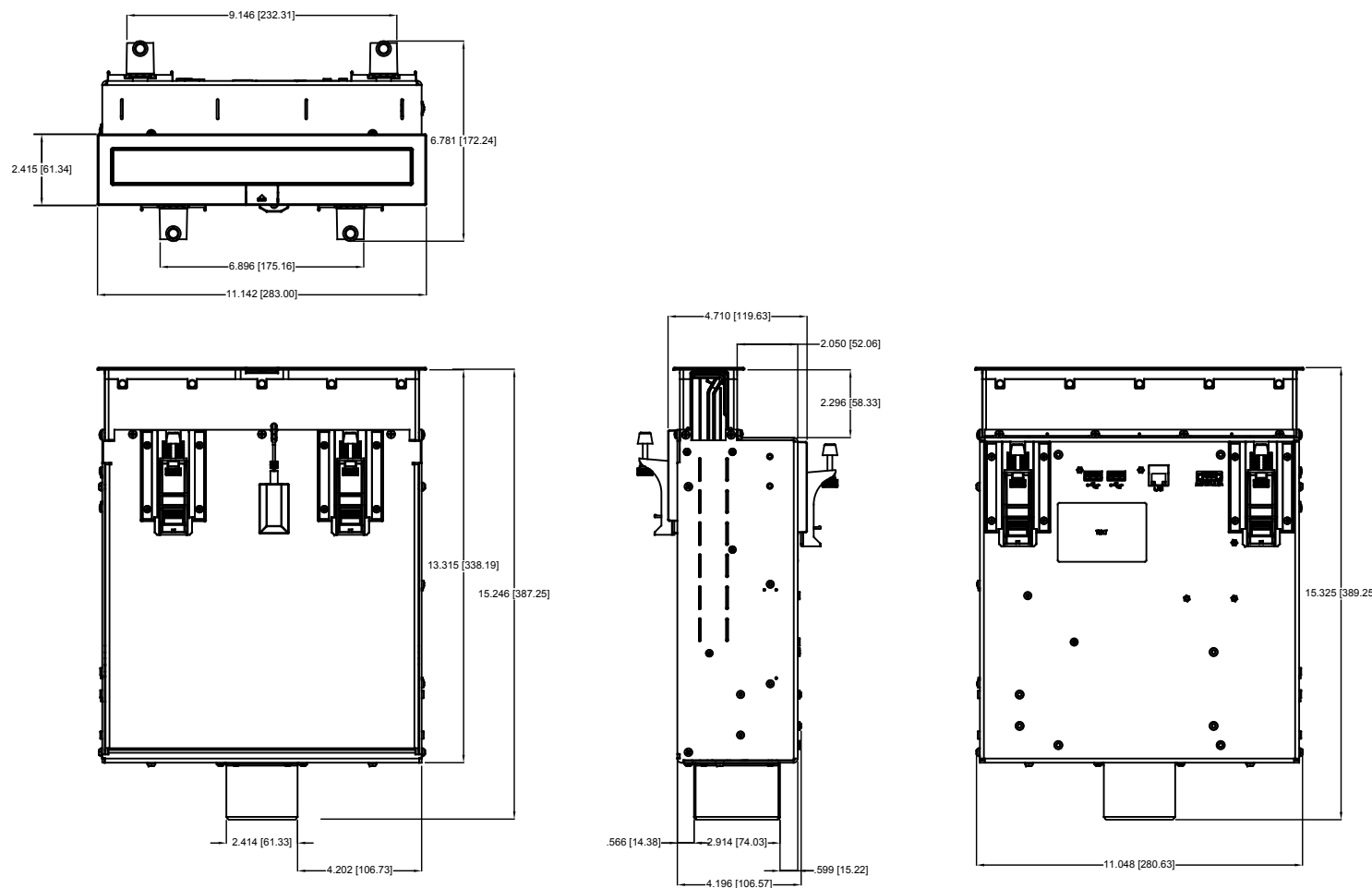


NOTES, UNLESS OTHERWISE SPECIFIED:

1. DIMENSIONS IN [] ARE IN MILLIMETERS

REVISIONS				
REV	ECN	DESCRIPTION	DATE	APPROVED
A	80234	INITIAL RELEASE	10/06/17	J. PORTER



MXR-1001, NO MOUNTING SPACER REQUIRED

NOTICE: This drawing is the property of AMX LLC. All information contained herein that is not generally known shall be confidential except to the extent the information has been previously established. This drawing may not be copied, reproduced, or used as the basis for manufacture or sale without written permission.

UNLESS OTHERWISE SPECIFIED
 TOLERANCE ON DECIMAL DIMENSIONS: .X = ± 0.1
 .XX = ± 0.01
 .XXX = ± 0.005
 ANGLES: ± 0.5°
 SURFACE FLATNESS .003 TIR PER LINEAR INCH
 ALL DIMENSIONS IN INCHES.
DO NOT SCALE DRAWING
 THIRD ANGLE PROJECTION

AMX
 AMX LLC
 3000 RESEARCH DRIVE
 RICHARDSON, TX 75082

PICTORIAL,
 MXR-1001 RETRACTABLE
 TOUCH PANEL

SIZE D	DWG. NO. 95-5968-85	REV. A
SCALE N/A	ACAD FILE NO. 95-5968-85_1_A	SHEET 1 OF 3

A B C D E F G H

1

1

2

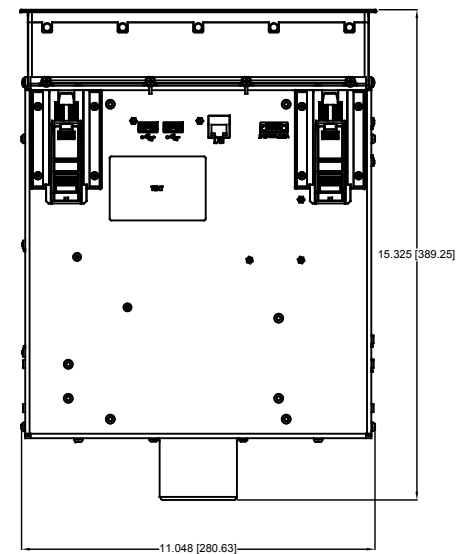
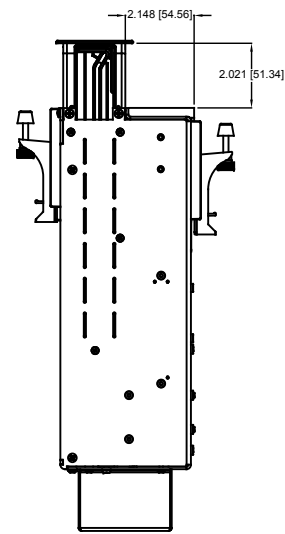
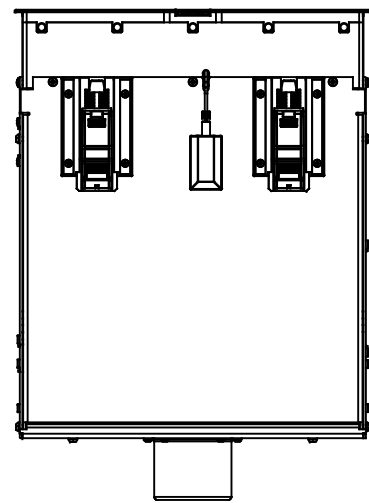
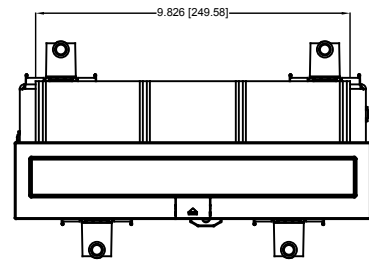
2

3

3

4

4



MXR-1001, THICK SURFACE INSTALLATION
MOUNTING SPACER REQUIRED

NOTICE: This drawing is the property of AMX LLC. All information contained herein shall be confidential except to the extent the information has been previously established. This drawing may not be copied, reproduced, or used as the basis for manufacture or sale without written permission.

AMX
AMX LLC
3000 RESEARCH DRIVE
RICHARDSON, TX 75082

PICTORIAL,
MXR-1001 RETRACTABLE
TOUCH PANEL

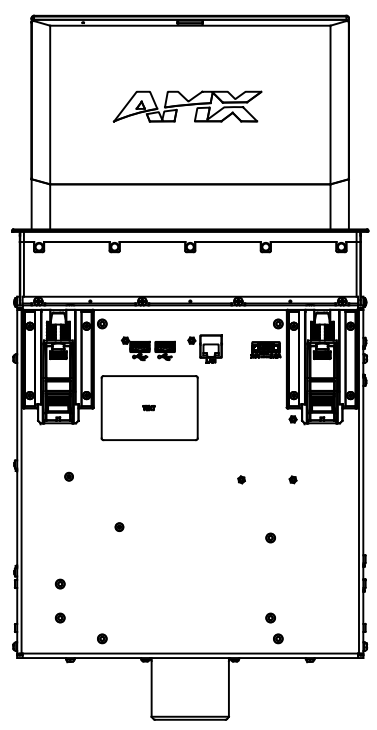
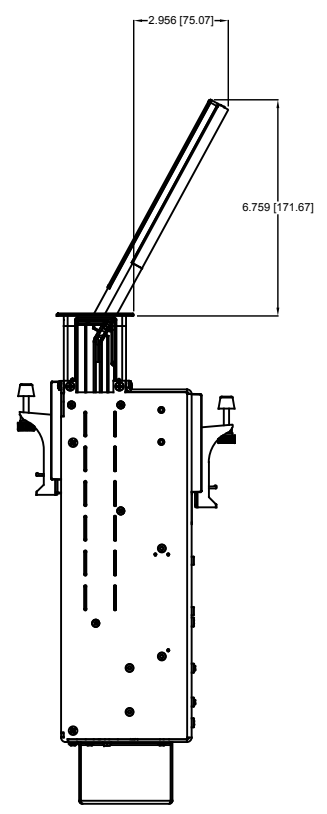
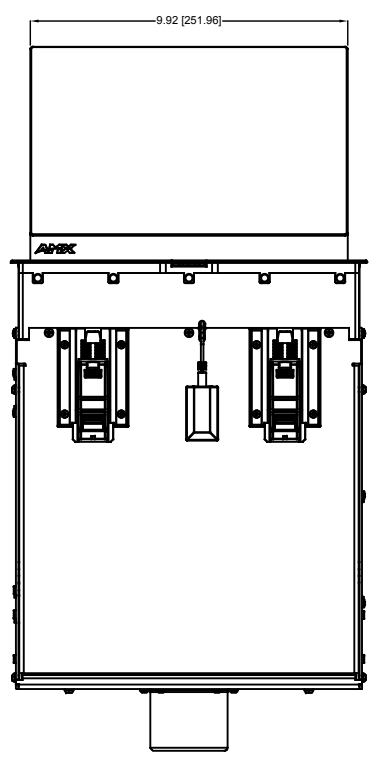
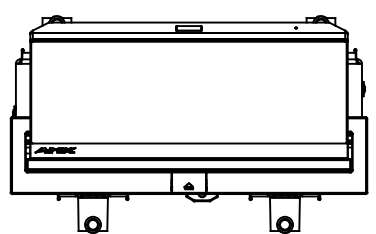
SIZE D	DWG. NO. 95-5968-85	REV. A
SCALE N/A	ACAD FILE NO. 95-5968-05_A_2.DWG	SHEET 2 OF 3

A B C D E F G H

A B C D E F G H

1

1



2

2

3

3

**MXR-1001, NO MOUNTING SPACER REQUIRED,
DISPLAY RAISED**

4

4

A B C D E F G H

NOTICE: This drawing is the property of AMX LLC. All information contained herein shall be confidential except to the extent the information has been previously established. This drawing may not be copied, reproduced, or used as the basis for manufacture or sale without written permission.

AMX
AMX LLC
3000 RESEARCH DRIVE
RICHARDSON, TX 75082

PICTORIAL,
MXR-1001 RETRACTABLE
TOUCH PANEL

SIZE D	DWG. NO. 95-5968-85	REV. A
SCALE N/A	ACAD FILE NO. 95-5968-05_A_3.DWG	SHEET 3 OF 3