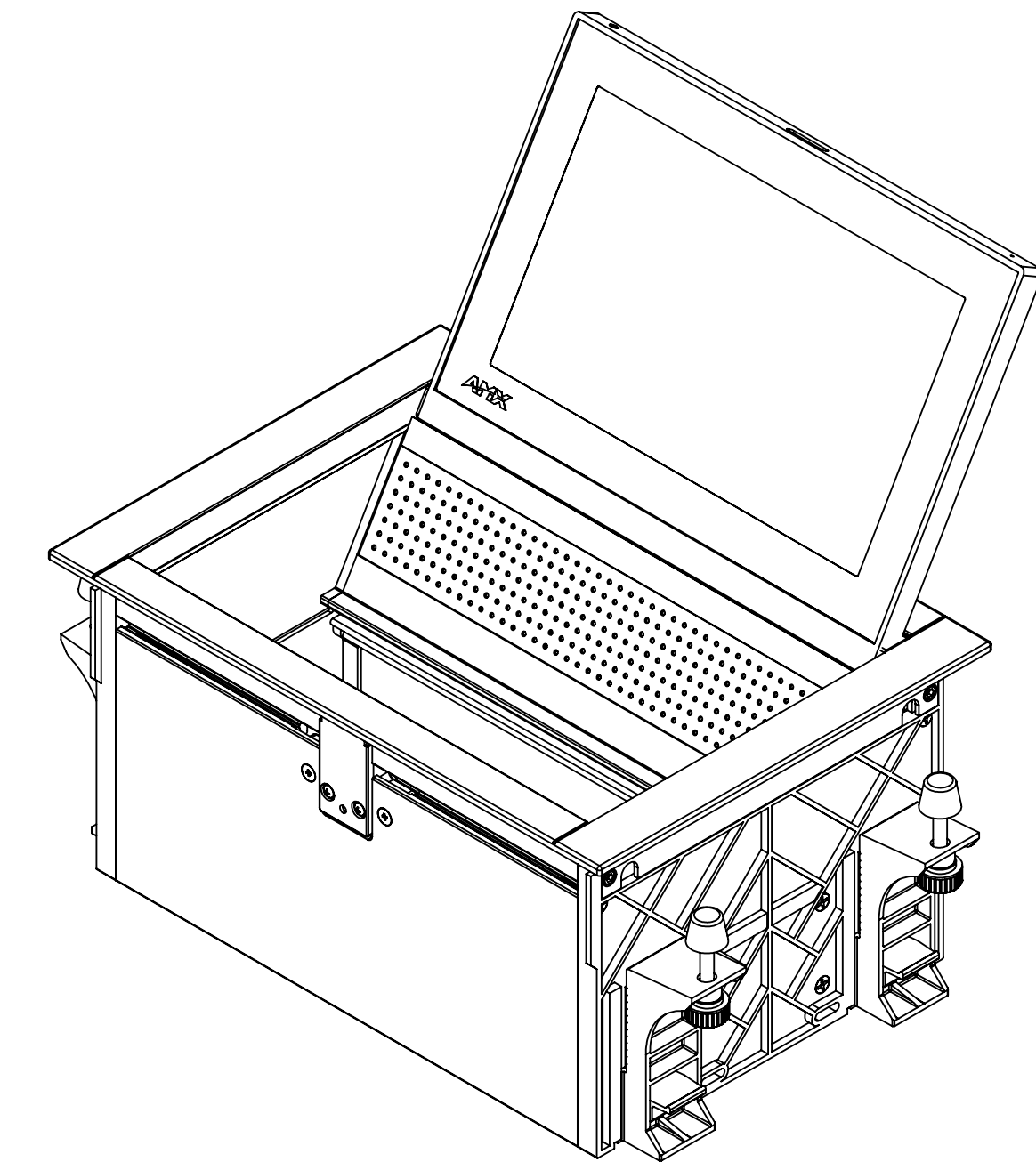
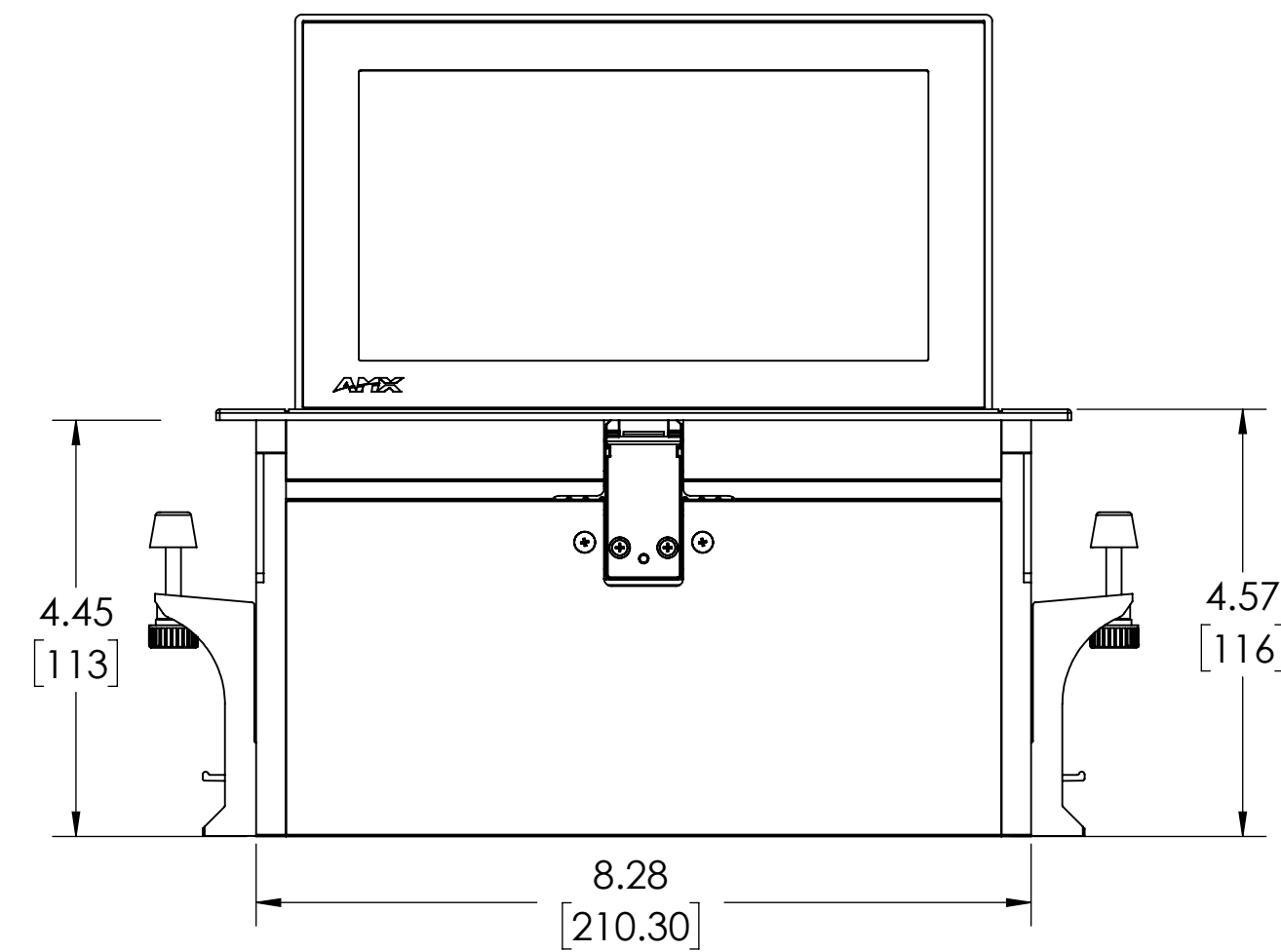
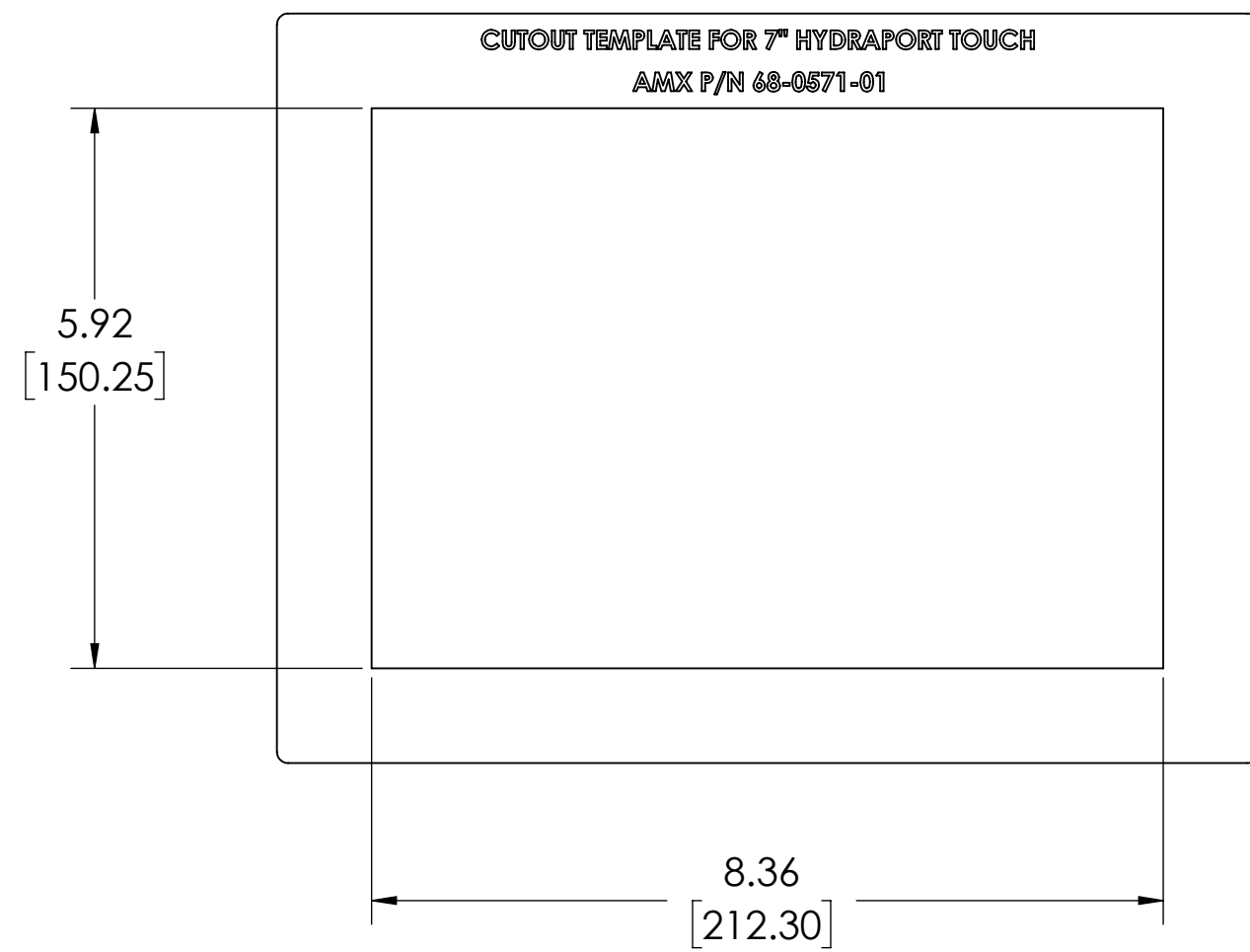
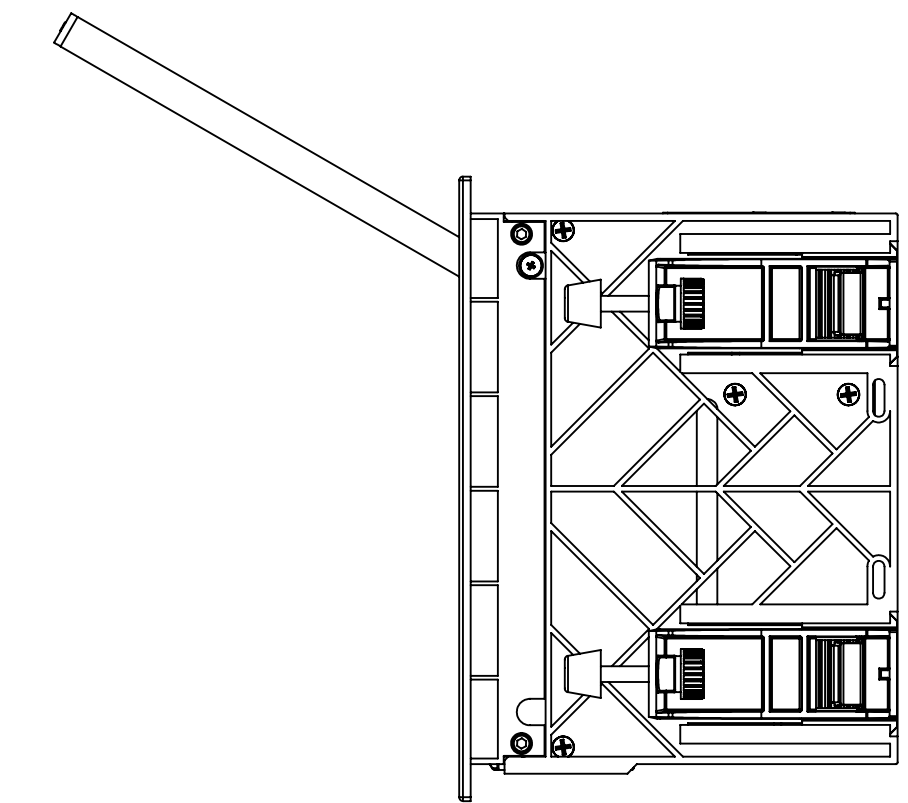
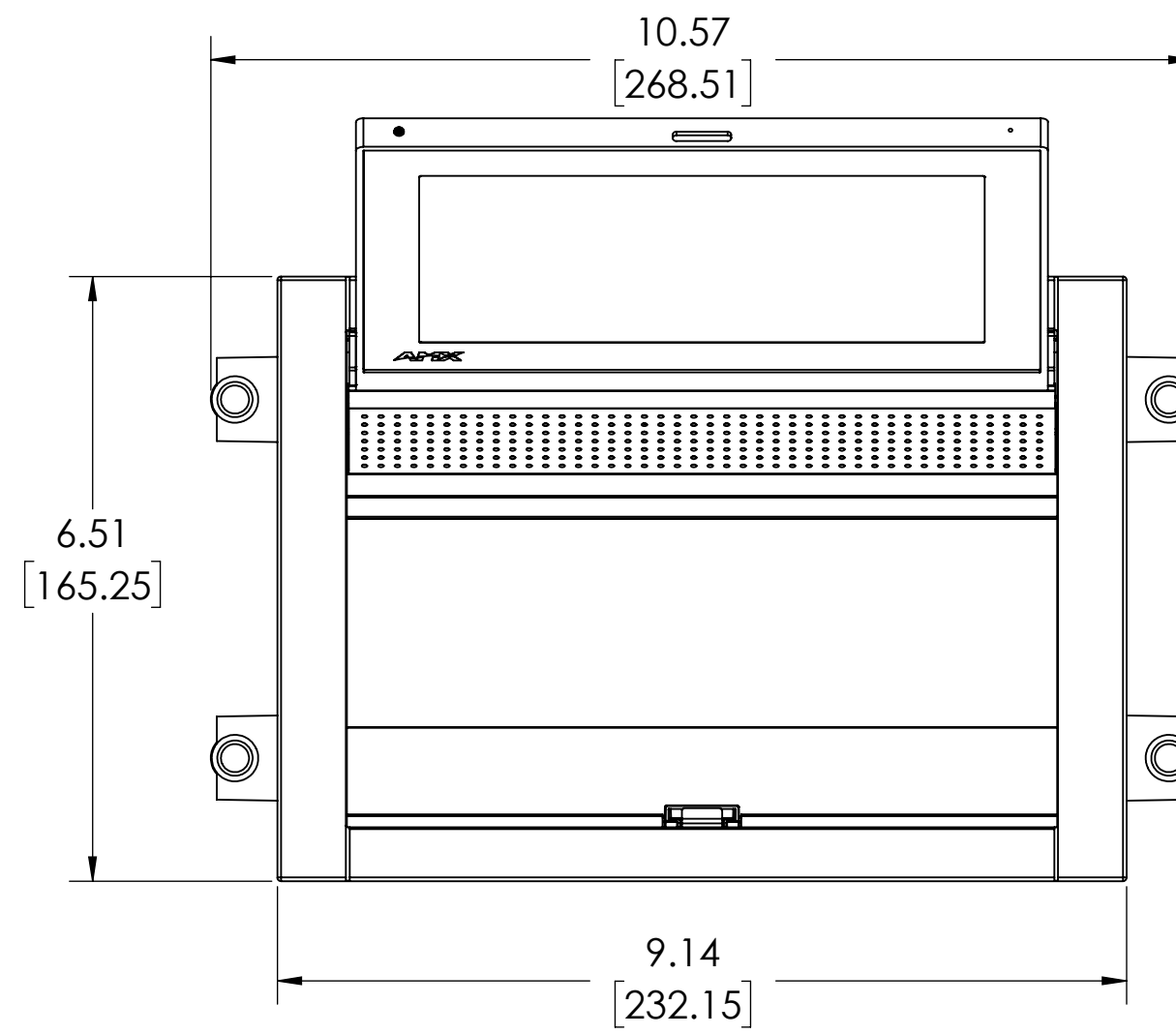
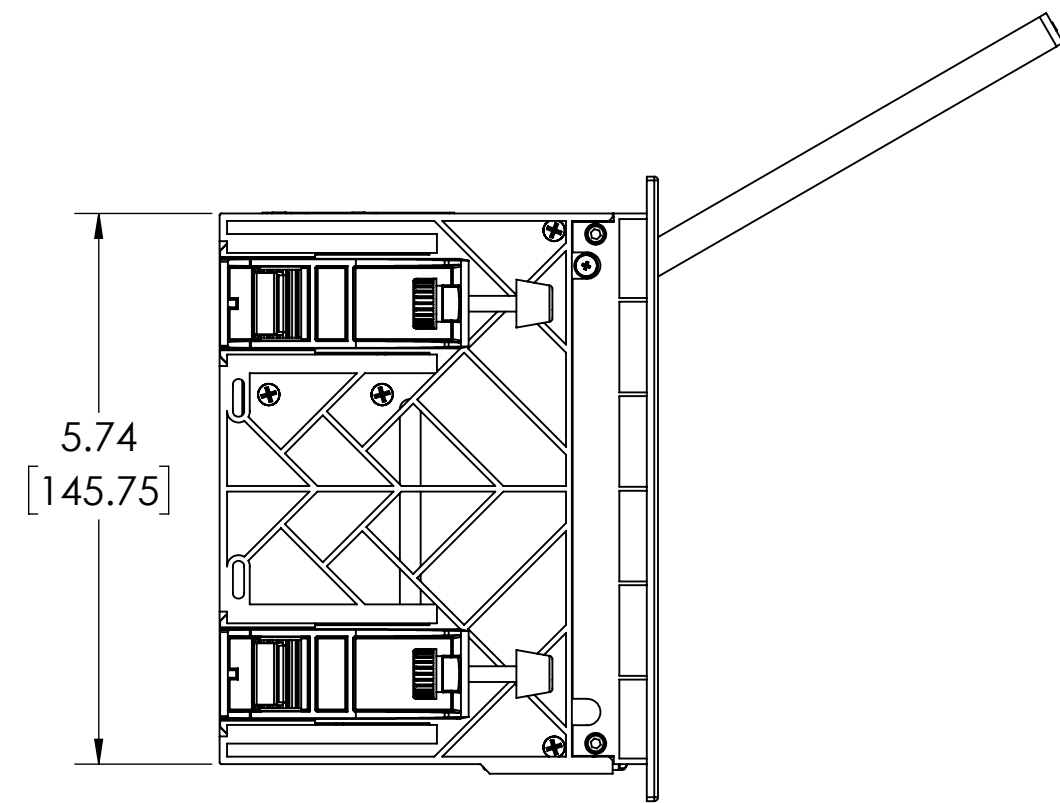


NOTES: UNLESS OTHERWISE SPECIFIED

1. DIMENSIONS IN [ ] ARE MILLIMETERS

REVISION HISTORY					
DATE	REV.	PREVIOUS PART NO.	DESCRIPTION	ZONE	BY
6/23/2017	A	95-0571-07			C. IVES



<small>PROPRIETARY AND CONFIDENTIAL PROPERTY OF HARMAN. DO NOT DISCLOSE, REPRODUCE, OR FURNISH WITHOUT WRITTEN HARMAN APPROVAL.</small>	<small>TOLERANCES UNLESS OTHERWISE SPECIFIED: All Dimensions: ±.005 Angular: ±.5°</small>		<small>THIRD ANGLE PROJECTION</small>	<b>HARMAN</b> <small>3000 Research Drive Richardson, TX 75082 USA</small>
	<small>RESTRICTION OF HAZARDOUS SUBSTANCES ALL MATERIALS USED IN THIS PART MUST BE ROHS COMPLIANT.</small>	<small>ALL DIMENSIONS ARE IN INCHES ALL DIMENSIONS APPLY AFTER FINISH.</small>	<small>DRAWN BY:</small> C. IVES <small>DESIGNED BY:</small> P. LE	<small>DATE:</small> 12/8/2015 <small>DATE:</small> 10/16/2015 <small>NO.:</small> 5089684-00 <small>SCALE:</small> 1:2 <small>DO NOT SCALE DRAWING</small>